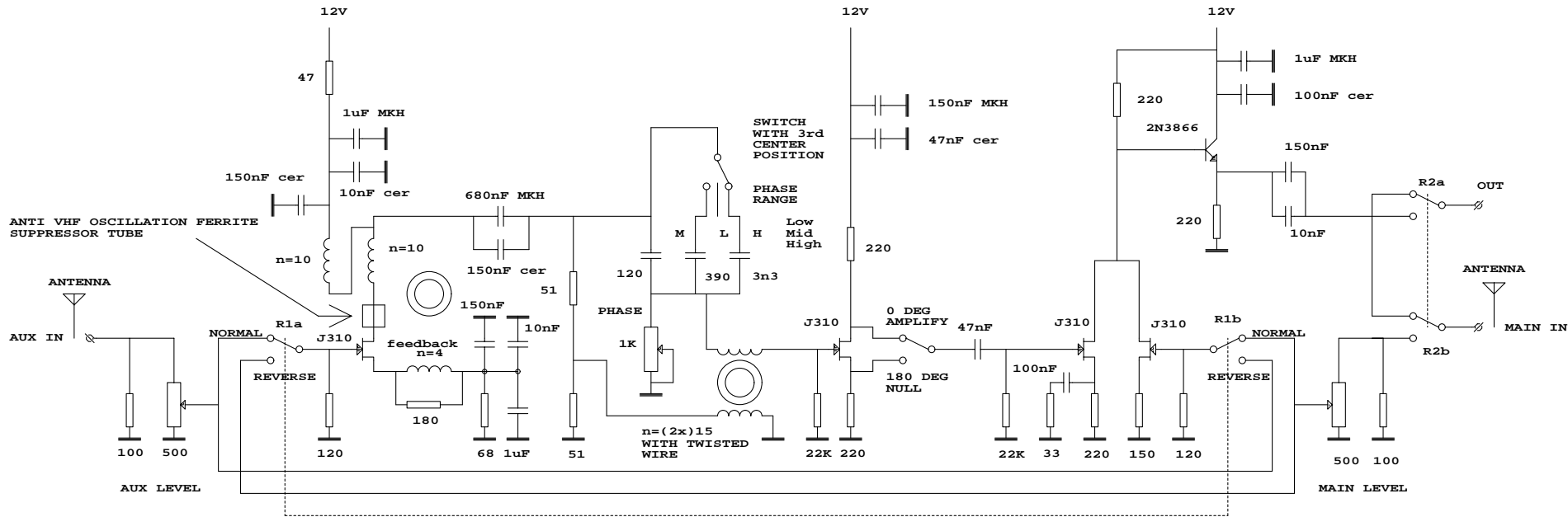
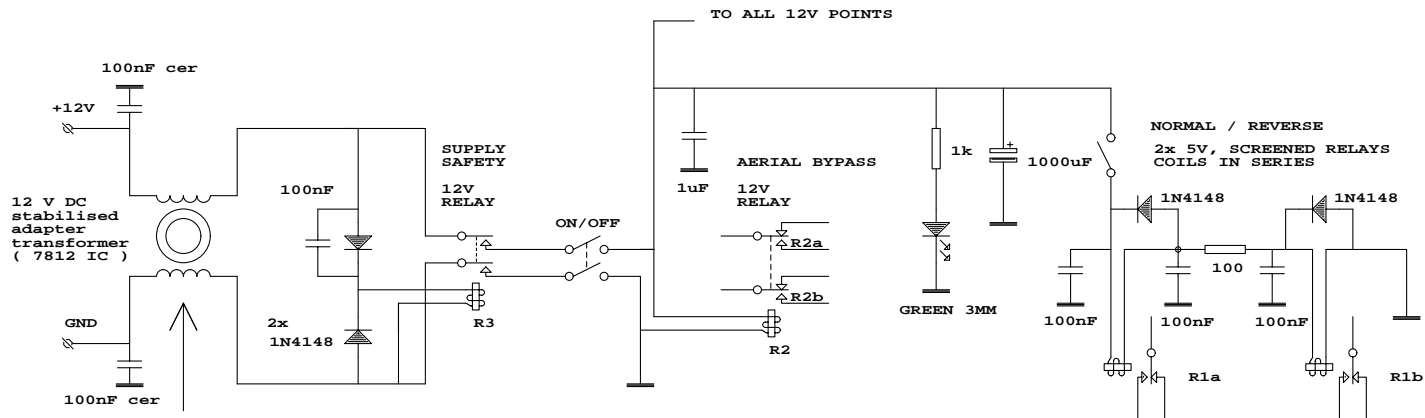


TRANSFORMER TOROIDS ARE A LOW AL 28 mm AMIDON/FAIR-RITE FT114A-61 OR TDK HF40-T28x13x16
 GLUED ON A HIGH AL (COATED) TOROID +/- 27 mm VOGT R26x14.5x10 mm - MATERIAL Fi323 (AL=2680).
 A 26 mm HIGH AL PHILIPS WHITE 3C11 (AL=5000) OR RED 3C85 (AL=2300) IS ALSO OK FOR HIGH AL TOROID
 OR MAKE YOUR OWN CHOICE FOR THE HIGH/LOW AL TOROID SETS LOW AL=100 TO 170



ALL INPUT INTERCONNECTIONS ARE WITH MINIATURE 50 OHM COAX !!



ONLY ONE HIGH AL TOROID - AL=6500
 PHILIPS 27 MM ORANGE 3E25
 2x 10 to 15 wind. with twisted wire

idiot proof DC input circuit
 plus and minus change = NOT on
 No voltage loss, no blown fuse

SIMPLIFIED RX-ONLY VERSION

LEVEL ADJUSTMENT LINEAR ON S METER
 (MADE IT SEMI LOGARITHMIC)

PHASE RANGE ADJUSTED FOR LONGWAVE USE

ADAPTER CABLE HF ISOLATED
 NORMAL-REVERSE SWITCH ADDED

USABLE UP TO 10 MHz		
Title	CLONED VLF - LF MFJ PHASER (LIKE 1025/1026)	
Size	Document Number	REV
B	CLONED DESIGN BY W. GEERAERT	2
Date:	November 9, 2002	Sheet 1 of 1

NORMAL / REVERSE SWITCH OVER
 2 SEPARATE RELAYS
 TO AVOID CROSSTALK