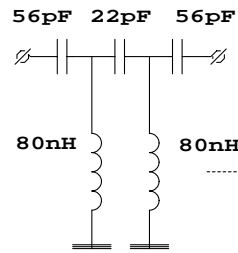
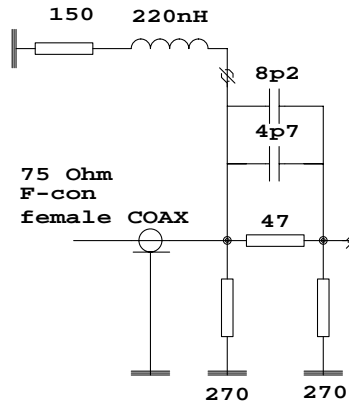


Add high pass filter
in place of 1 + 10 nF C's
if needed to reduce internet carrier

NO VHF low = 80MHz

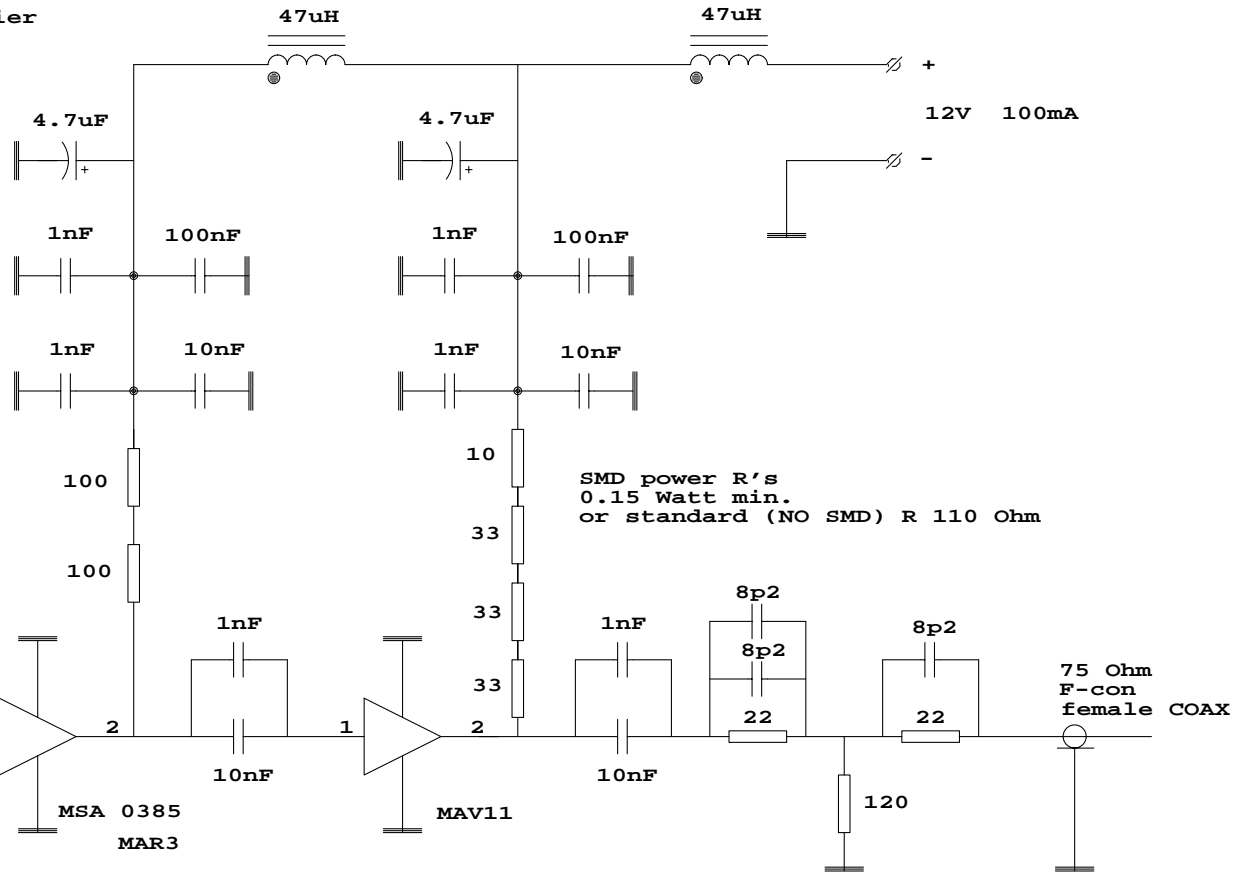


With high pass,
if needed under 60 MHz:
to avoid reflection
some impedance correction



75 Ohm
F-con
female COAX

-5 dB pad
(for 20 - 250 MHz, without high pass)



SMD power R's
0.15 Watt min.
or standard (NO SMD) R 110 Ohm

75 Ohm
F-con
female COAX

-5 dB pad under 250 MHz

ALL components, except coils, in SMD technology
Keep trace width in mind: 75 Ohms

80-250MHz 10dB / 470MHz 12dB / 800MHz 16dB		
Title		
f-attenuation compensated CAI buffer amp		
Size	Document Number	REV
A	made by W. Geeraert PE1ABR	
Date:	March 25, 2002	Sheet 1 of 1