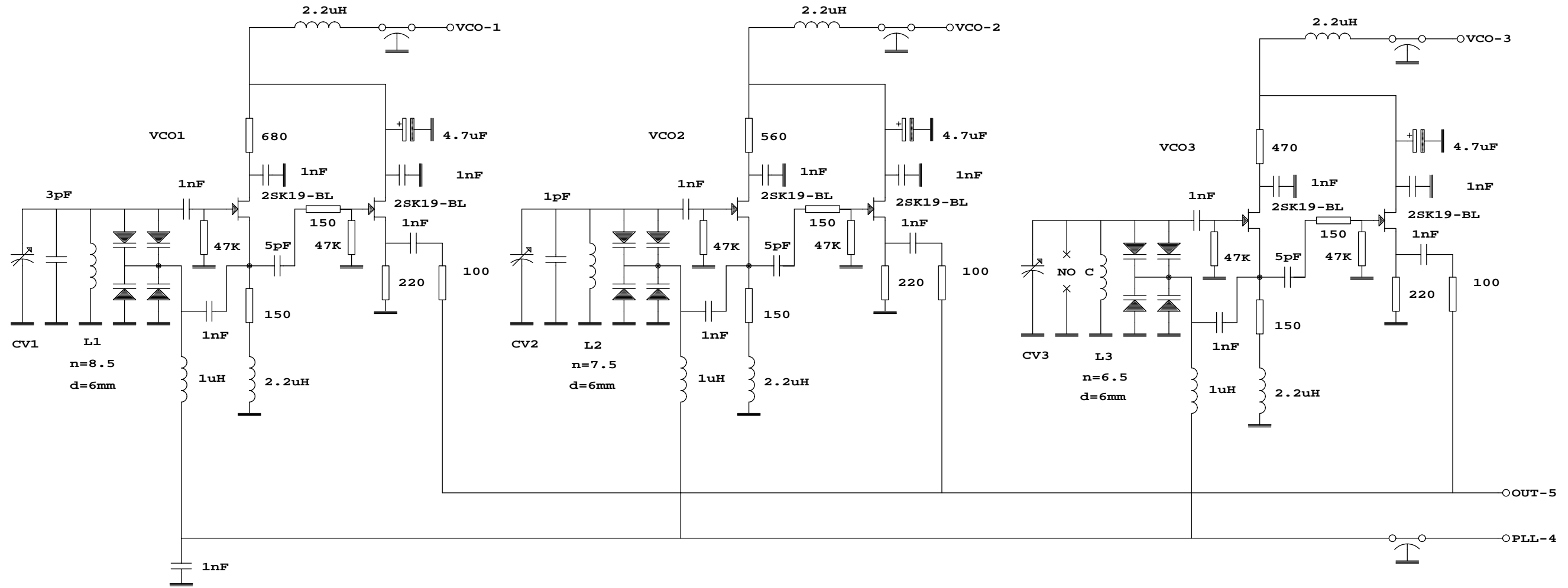
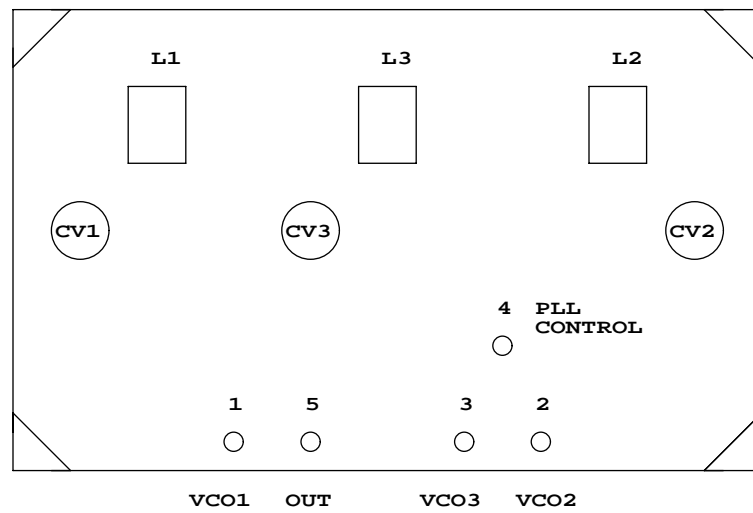


VARICAP TYPE UNKNOWN  
VHF TUNER TYPE



VCO CIRCUITBOARD SIDE  
(SYNTH BOARD ON THE BACK)



VCO-1 RANGE +/- 70 - 80 MHz ( Rx RANGE 0.000.0 - 9.999.9 )  
 VCO-2 RANGE +/- 80 - 90 MHz ( Rx RANGE 10.000.0 - 19.999.9 )  
 VCO-3 RANGE +/- 90 - 100 MHz ( Rx RANGE 20.000.0 - 29.999.9 )

PLL VOLTAGE RANGE FOR EACH VCO WITHIN 4.00 - 10.50 VOLTS LIMITS

CGA-68.SCH

REVERSE ENGINEERING BY PELABR		
Title MAIN VCO SYNTH NRD-515		
Size B	Document Number CGA-68 VCO - DRAWING MDEW00416	REV A
Date: May 21, 2006	Sheet 1 of	1