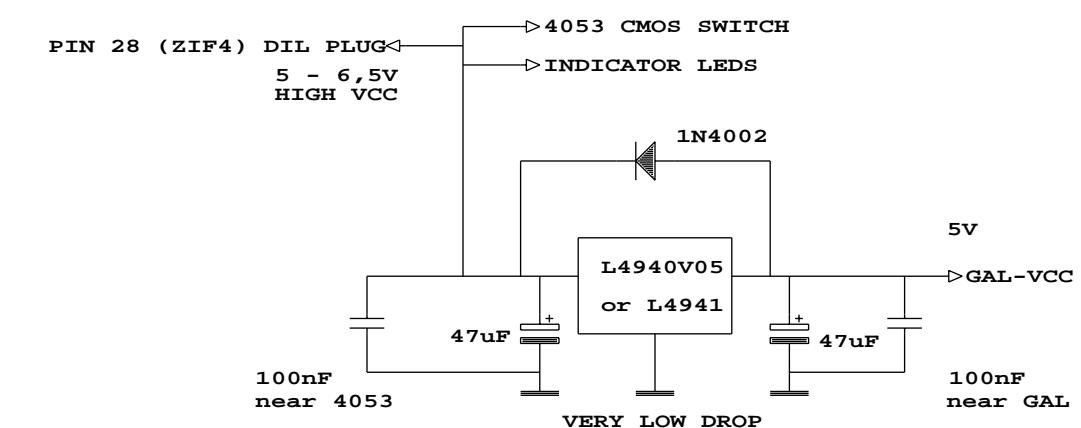
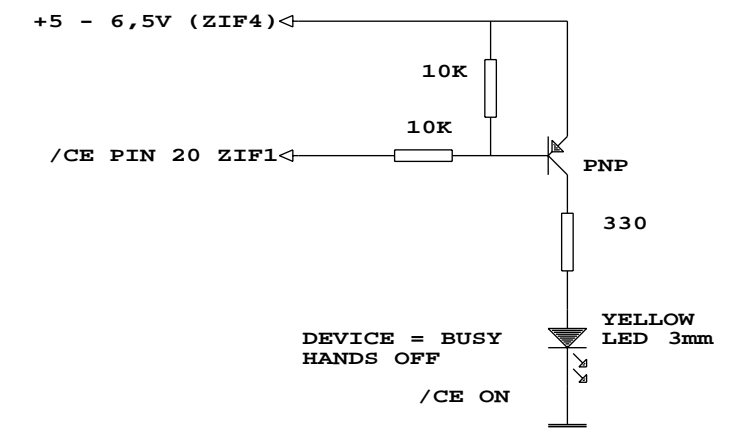
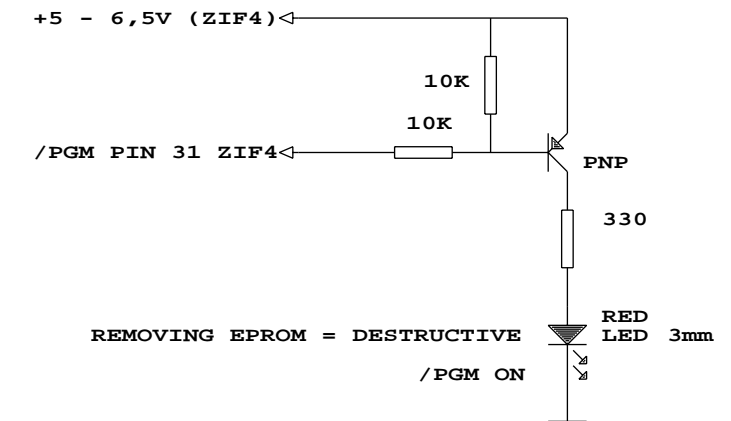
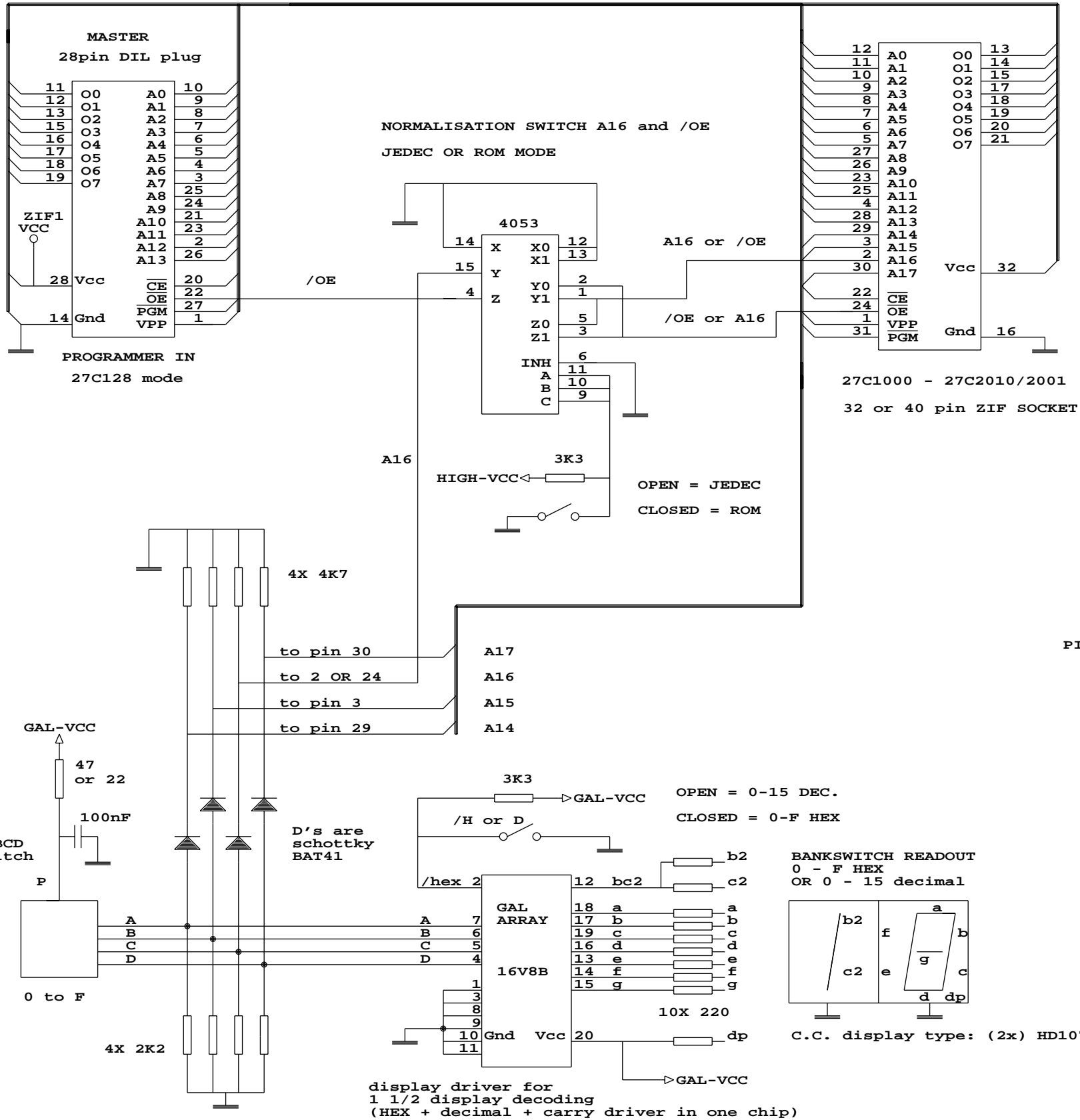


This board is supported by 2 28 pins DIL plugs, one in the master (ZIF-1) and one in ZIF-4 for the stability. On the 4 corners the correct distance is also maintained by 4 small bolts. (standoff's)



PROGRAMS ALL 271000-271001-272000-272001 in 27C128 programming mode (BANKS) accepts JEDEC as well as ROM versions Does NOT accept 27C4000, use 2nd adapter

Title		
BANKSWITCH UNIT FOR SUNSHINE EW 904 SERIES		
Size	Document Number	REV
B	CREATED BY W. GEERAERT	1.1
Date:	June 5, 1999	Sheet of