

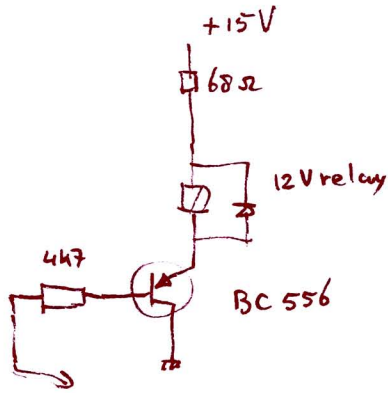
VLF modification

Rx will work from about 10 kHz

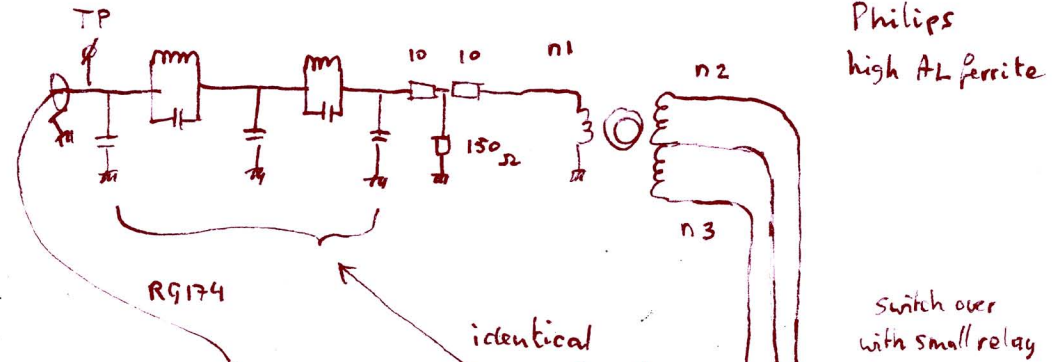
extra components will fit underneath

$n_1 = 28$
 $n_2 = n_3 = 100$ bifilar + twisted
 on 3E2 toroid
 blue 14mm

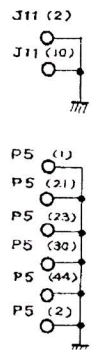
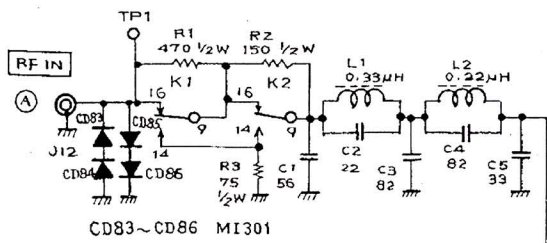
Philips
 high AL ferrite



Pin2 - IC1
 0 → < 600 kHz band

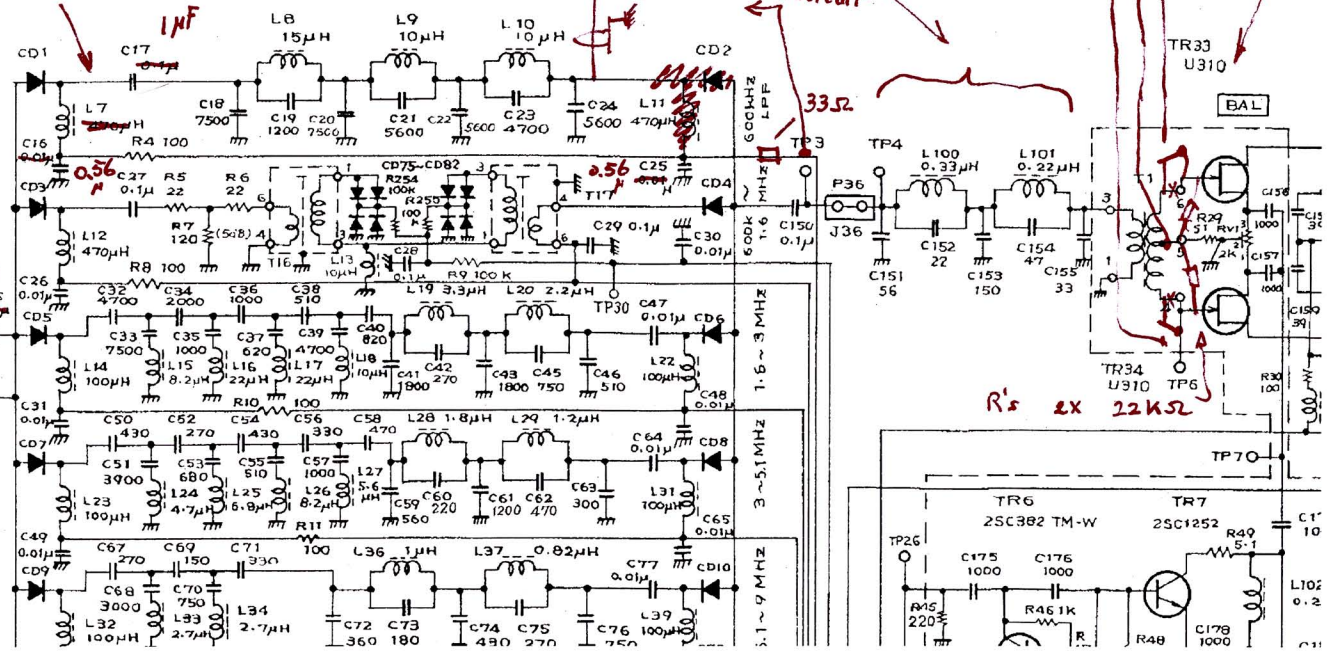


switch over
 with small relay



2.2 or 4.7 mH

1 nF



relays circuit

identical circuit

R's ex 22kΩ

