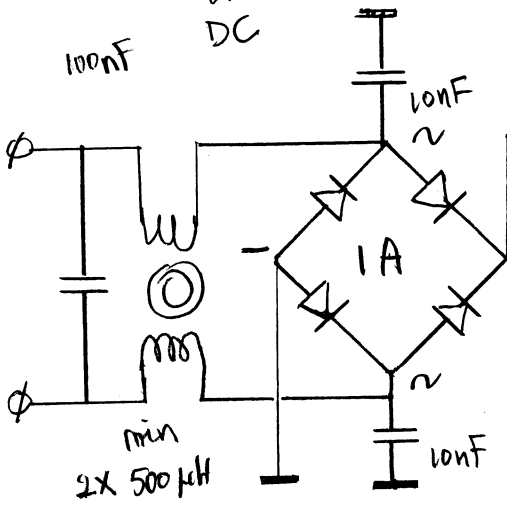
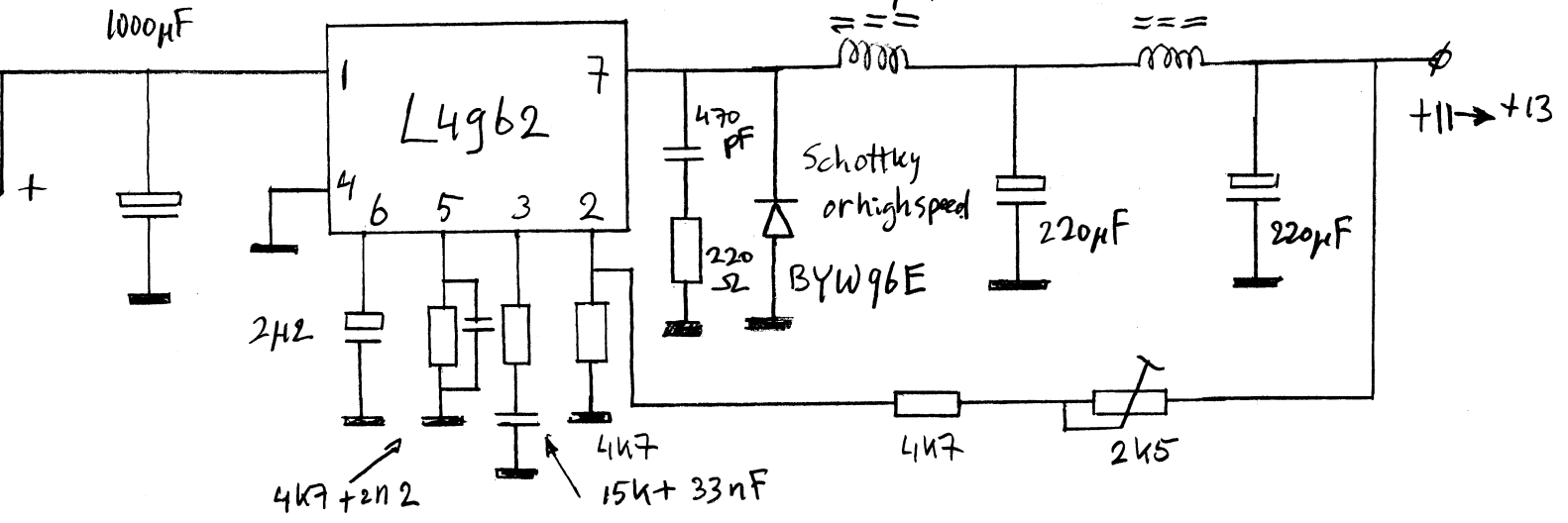


16-18V AC  
or  
DC



Switch supply part

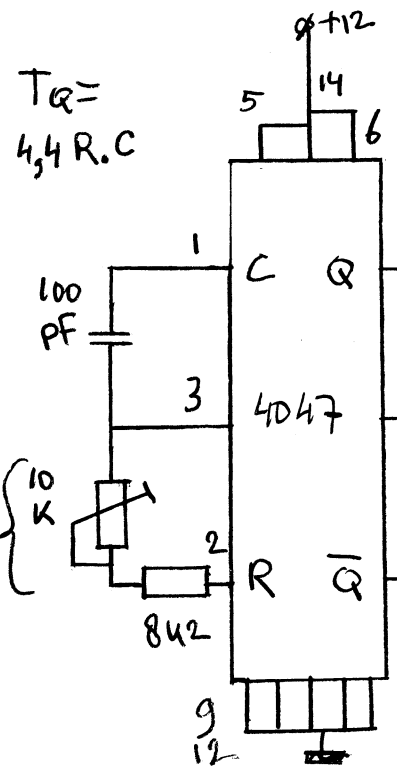


$T_R = 4.4 R.C$

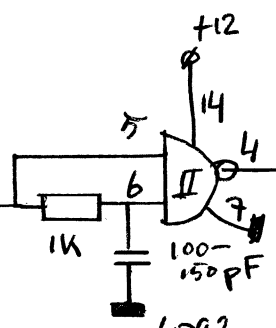
$R_{12k} \rightarrow \pm 190 \text{ kHz}$

$R_{15k} \rightarrow \pm 150 \text{ kHz}$

$R$  { 10k

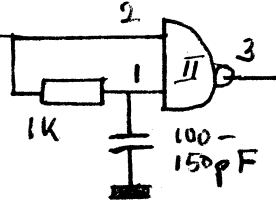


dead zone delay

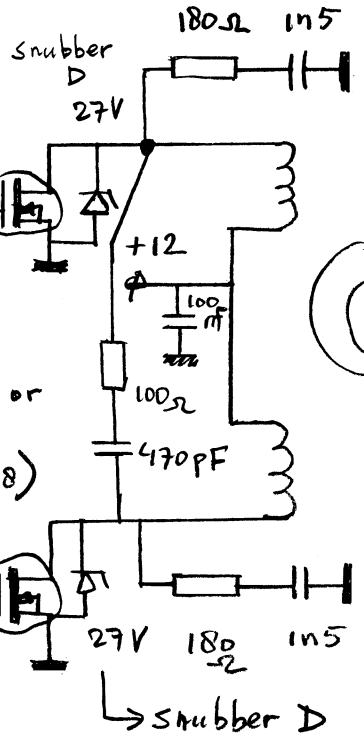


MAX 626

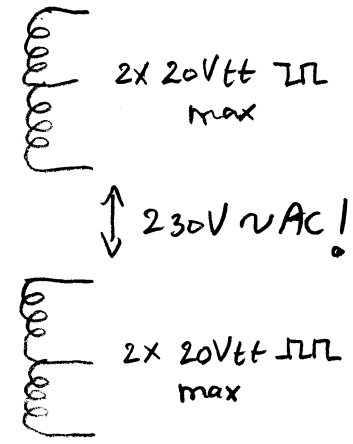
2x IRF510 or 610 (or VN88)



snubber D



Chopper supply part



Switch/chopper  
Supply RS232 unit  
© PEI ABR

