

Take into account:

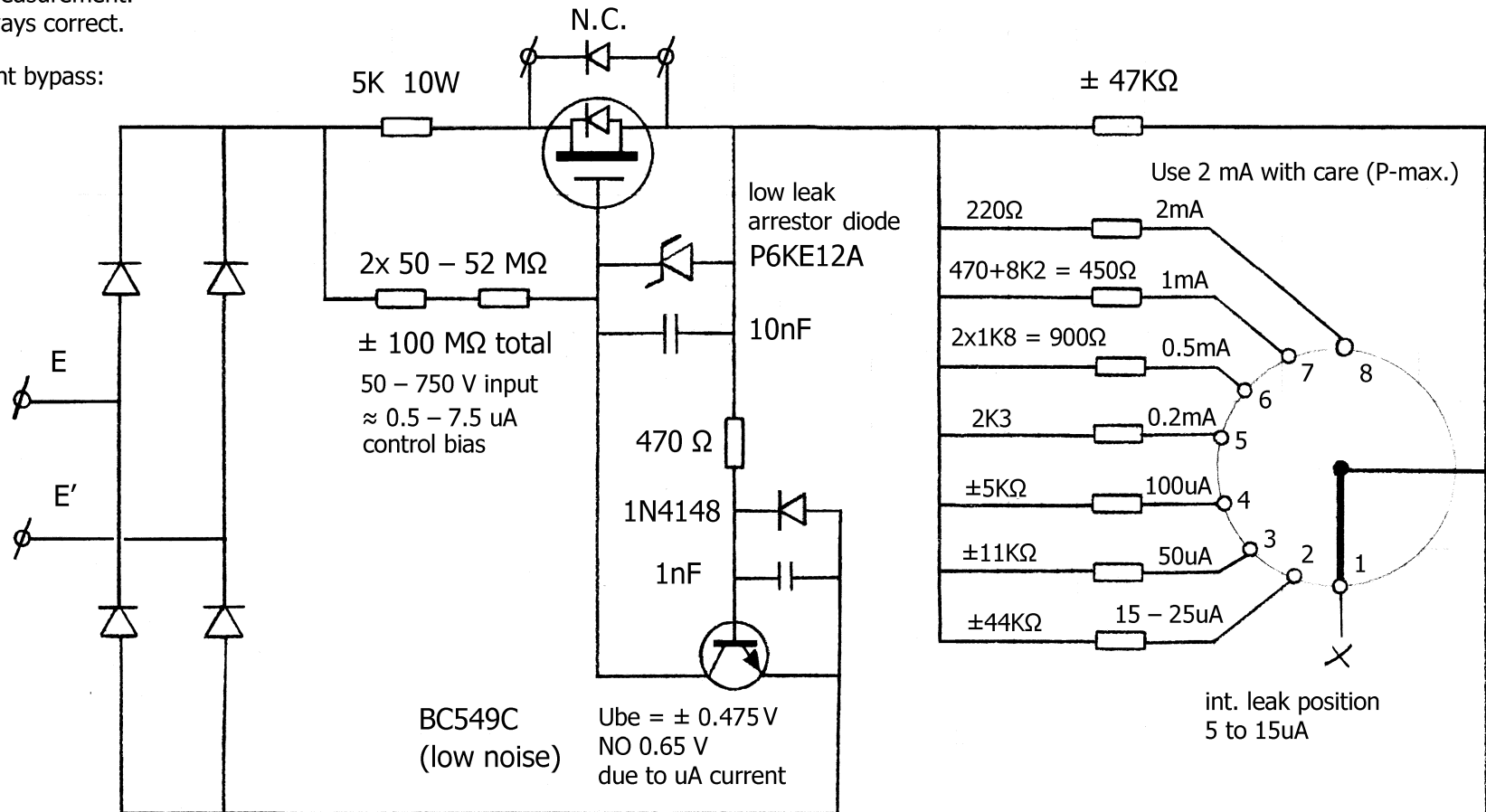
the 30 MΩ voltmeter system forms a load over the VDR in "live" position. It forms NO load in "preset". But then NO voltage measurement. The VDR current is always correct.

select HVolt. D's for lowest leak at 1000V
f.i. BYW96E

MOSFET blocking $U_{ds} \geq 1500 \text{ V}$ to 4500 V
f.i. 9N150, 1N250, 1N450, 02N450 (AliExpress)

Indication of the current bypass:

50V	1.67uA
75V	2.5uA
100V	3.33uA
150V	5uA
200V	6.67uA
250V	8.33uA
275V	9.17uA
300V	10uA
350V	11.67uA
400V	13.33uA
500V	16uA
600V	20uA
750V	25uA



unit used in place of the electrolyte reforming series resistors box

High Voltage (min. 1000V) adj. low current source
I-set = 10 uA to 2 mA, use 2 mA with care (max. dissipation)
Low power Varistor (VDR) and arrestor test unit
For use with the Capacitor Leakage test box