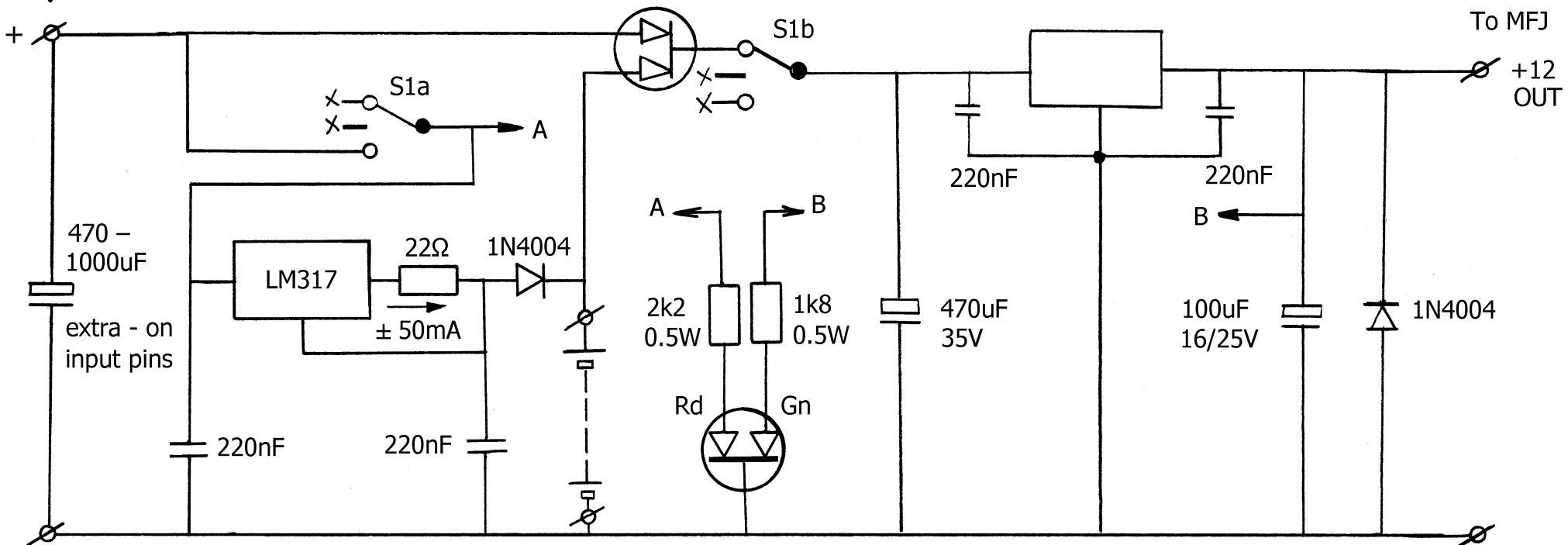


S1  
 / ON  
 - OFF  
 \ CHARGE

very low drop  
 duo Schottky  
 ESAC82 or  
 MBR2045

Adapter or  
 Dell 19/20V



12x NiMH  
 ±13 - 17V

duocolor LED  
 Red and Green

Accu pack control  
 For MFJ-266

PE1ABR