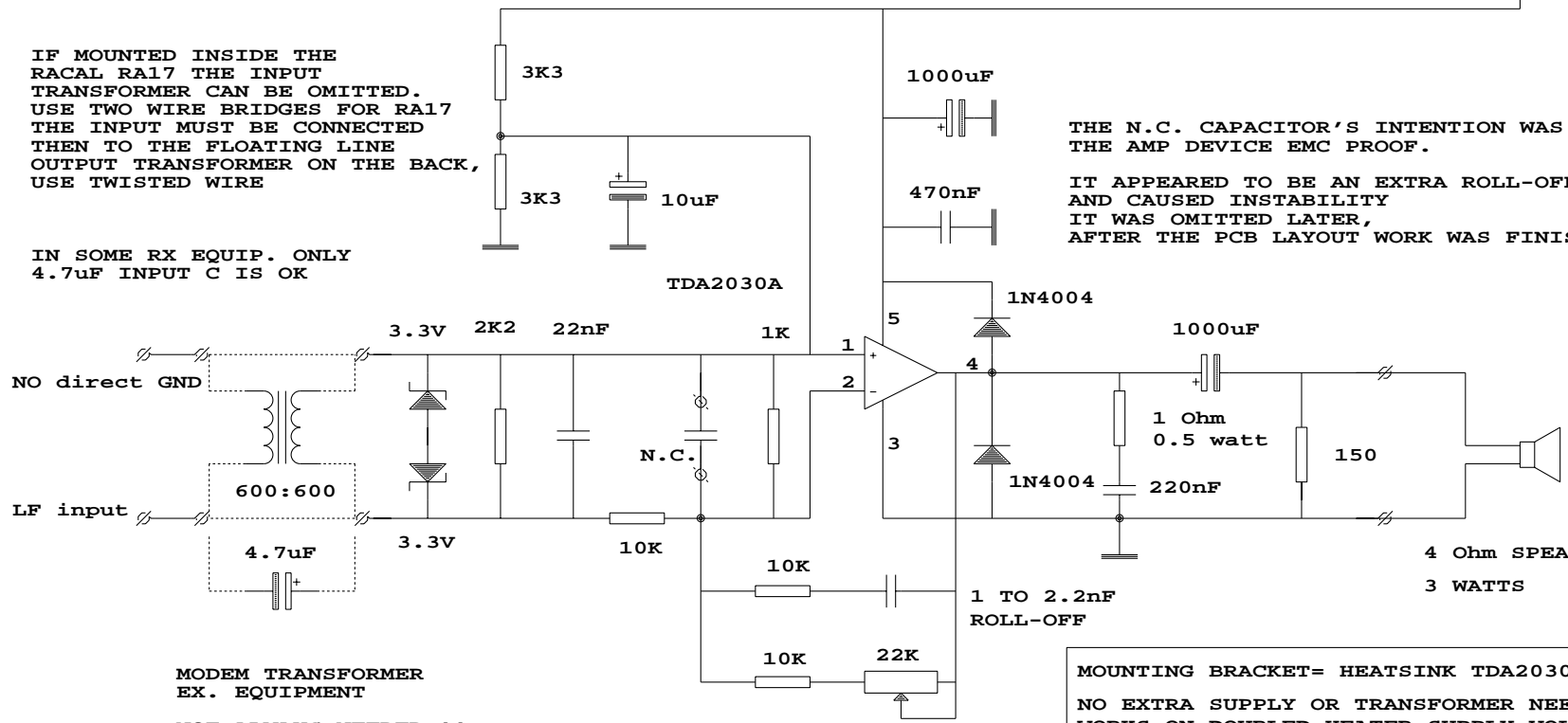
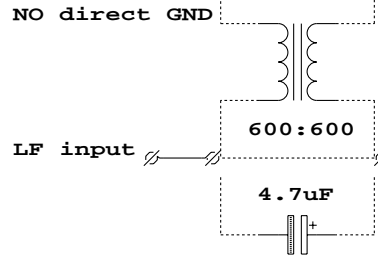


IF MOUNTED INSIDE THE RACAL RA17 THE INPUT TRANSFORMER CAN BE OMITTED. USE TWO WIRE BRIDGES FOR RA17 THE INPUT MUST BE CONNECTED THEN TO THE FLOATING LINE OUTPUT TRANSFORMER ON THE BACK, USE TWISTED WIRE

IN SOME RX EQUIP. ONLY 4.7uF INPUT C IS OK



THE N.C. CAPACITOR'S INTENTION WAS TO MAKE THE AMP DEVICE EMC PROOF. IT APPEARED TO BE AN EXTRA ROLL-OFF POLE AND CAUSED INSTABILITY IT WAS OMITTED LATER, AFTER THE PCB LAYOUT WORK WAS FINISHED

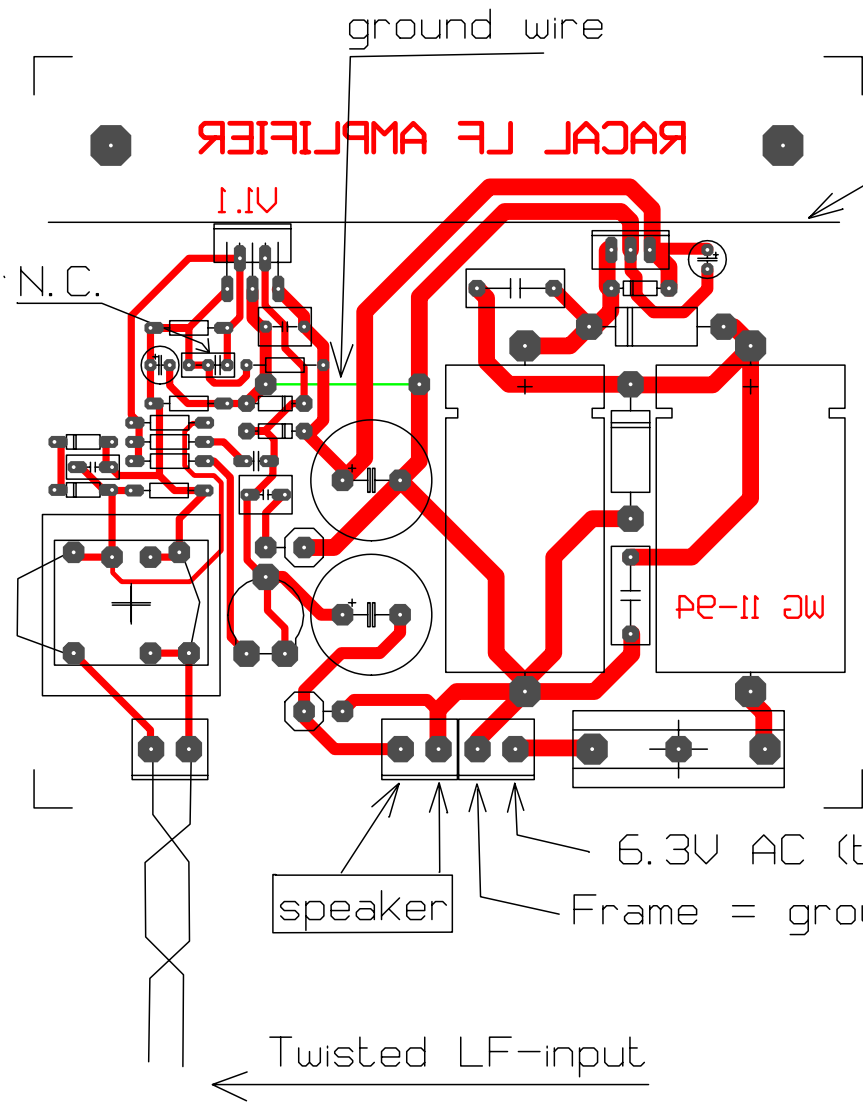


MODEM TRANSFORMER EX. EQUIPMENT NOT ALWAYS NEEDED !!

GAIN SETTING: 1x TO 3x

MOUNTING BRACKET= HEATSINK TDA2030 AND 7812 NO EXTRA SUPPLY OR TRANSFORMER NEEDED WORKS ON DOUBLED HEATER SUPPLY VOLTAGE

Title		
IDIOT PROOF RACAL RA17 AUDIO ADD-ON AMP		
Size	Document Number	REV
A	CREATED BY W. GEERAERT PELABR	1.1
Date:	January 9, 2000	Sheet 1 of 1



position U-shaped ALU heatsink
= mounting bracket

ISOLATED MOUNTING SEMICONDUCTORS ONLY !!
TO AVOID 6.3V AC GROUND LOOPS!!

speaker

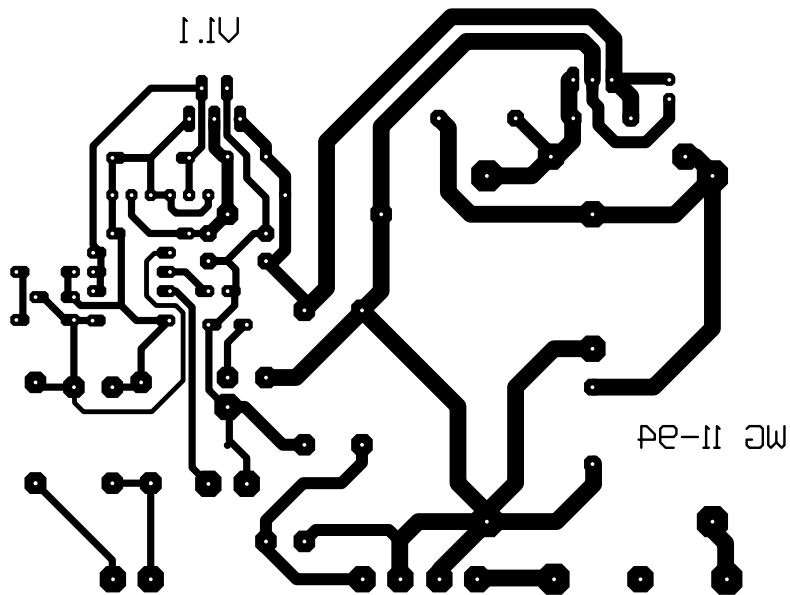
6.3V AC (to frame) input

Frame = ground

Twisted LF-input

RACAL LF AMPLIFIER

V.1



PE-11 JW