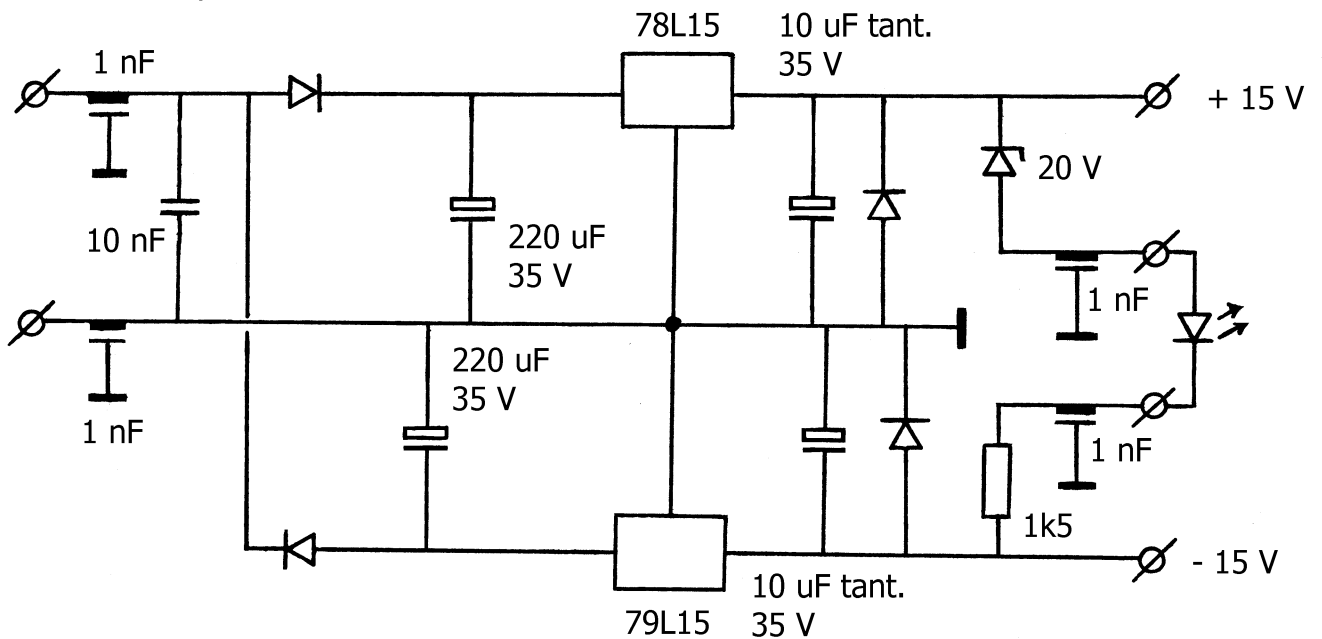


AL toroid: ± 30000 ,
f.i. 4x 3E25 36 mm = TN36/23/15 - AL = 7400

Adapter transformer
15 - 17 V AC only



D's 1N4002 - 1N4007