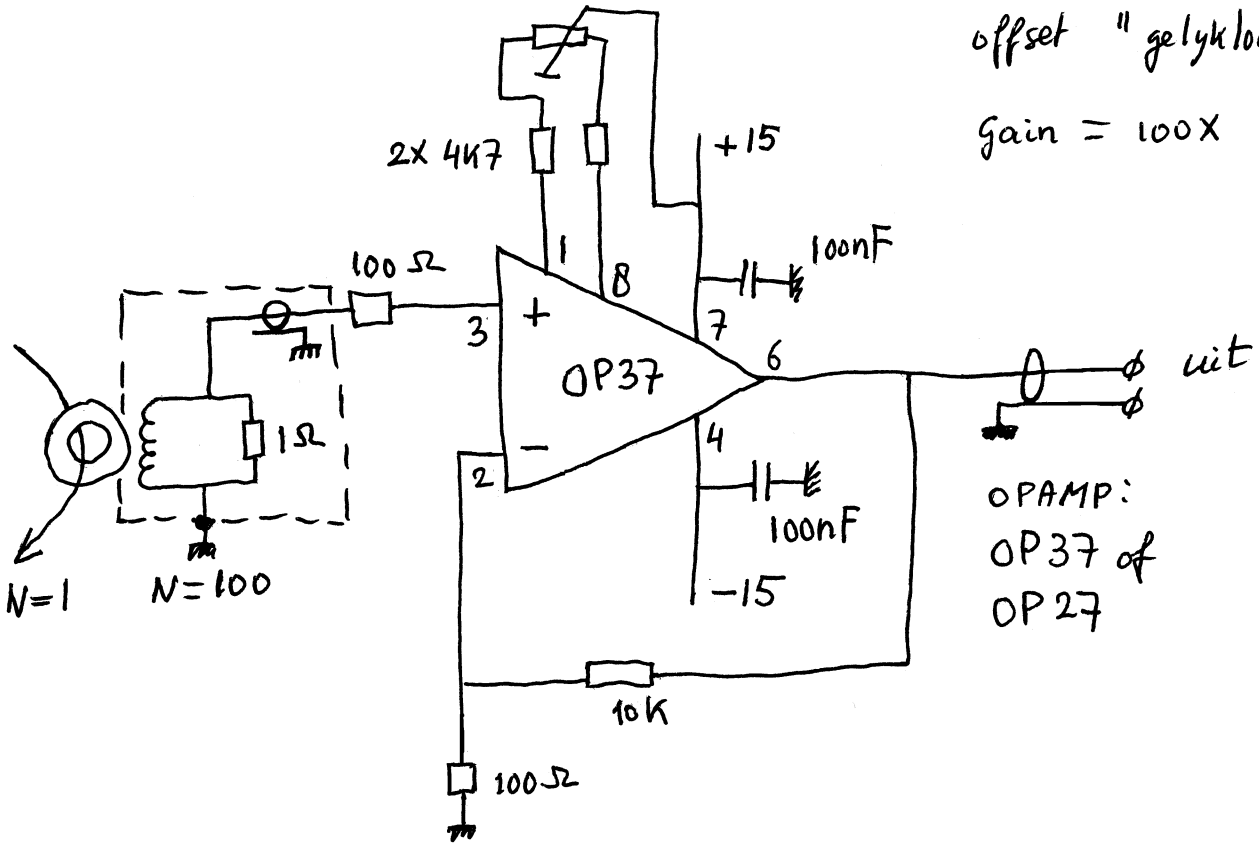


multiturn 1K offset

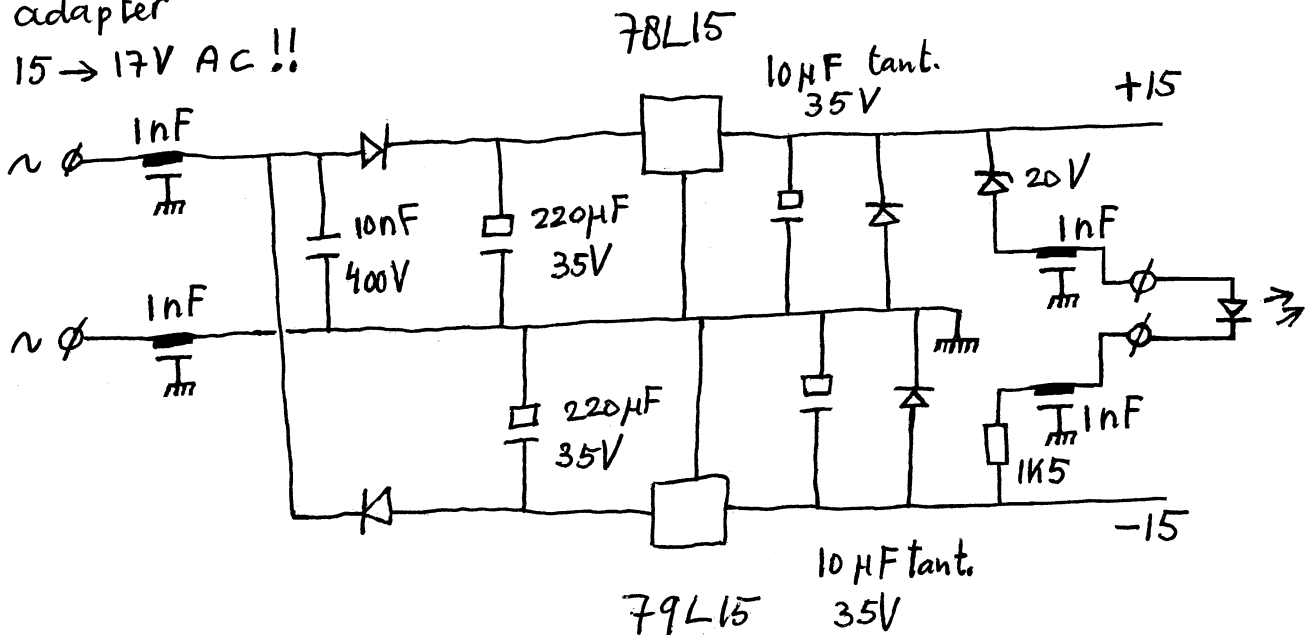
100Ω input = safety en
offset "gelykloop"

Gain = 100X



OPAMP:
OP37 of
OP27

adapter
15 → 17V AC !!



D's byv. 1N4002 -- 4007