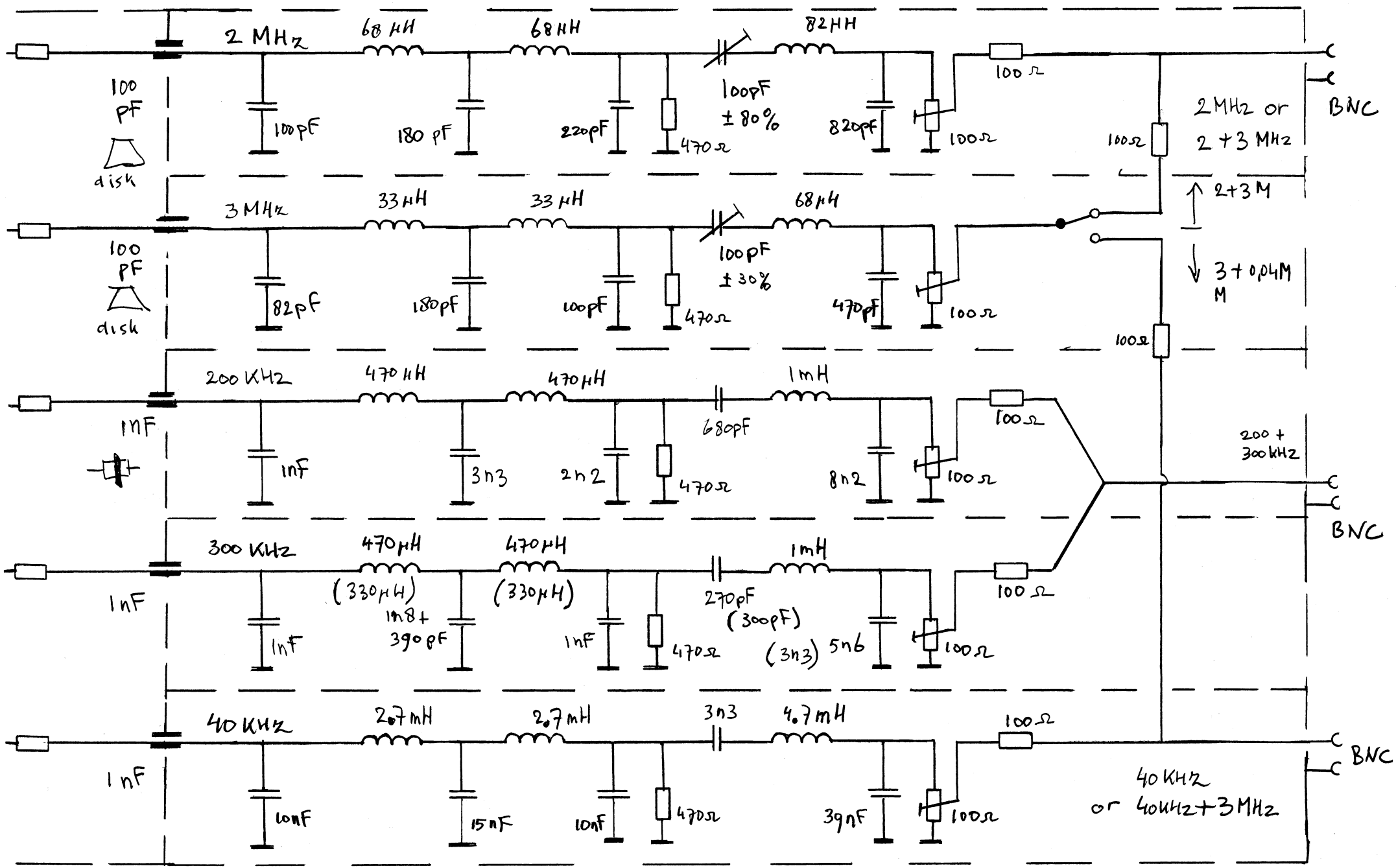
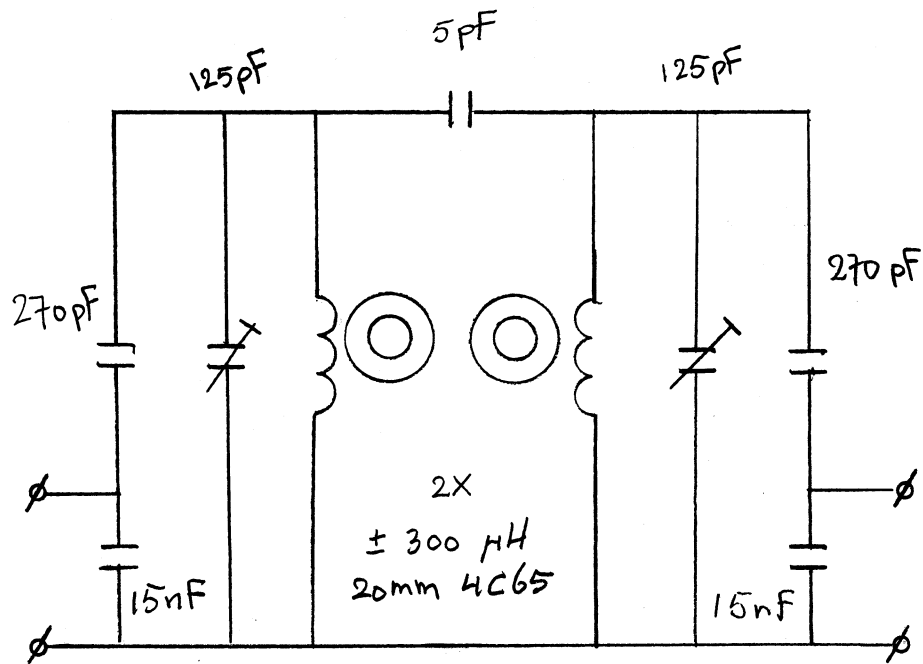


Duo-Tone Test Generator - PEIABR - divider chain



PEIABR

Duo-tone IMD / IP3 Test Generator - Filter + Resonance part



500 kHz bandfilter

Toroids : TN 20/10/7

AL = 121 (mH/1000)

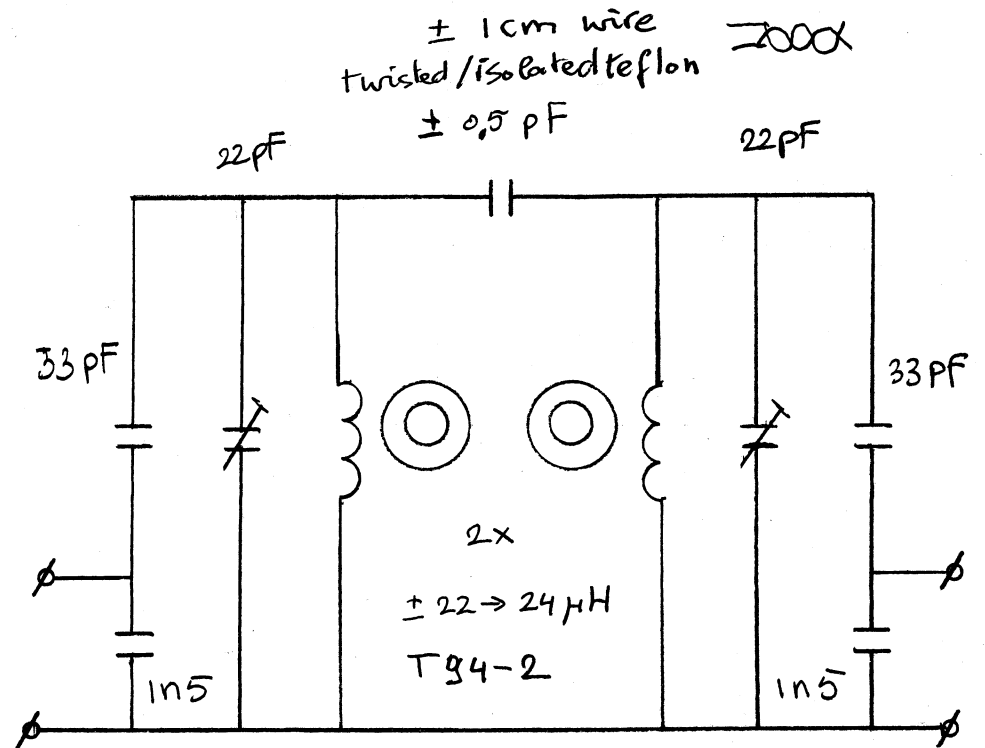
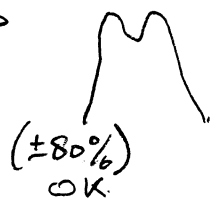
4C65 ferrite

N = ± 50

If you encounter a double bump →

Reduce TOP-capacitor

Too low output → increase C



5 MHz bandfilter

Toroids : T94-2

AL = 8.4 nH/N (≅ 8.4 mH/1000)

Powder Iron

N = ± 47

Remove 200/300kHz or 2/3 MHz
Pre-filter IMD/IP3 result

© PEIABR ± 1995

IMD/IP3

3 MHz +

40 kHz

40 kHz



2 MHz

IMD/IP3

2 + 3 MHz

IMD/IP3

200 + 300 kHz

OUT/IN

IMD/IP3 200 + 300 kHz

IN/OUT



500 kHz smalband



OUT/IN

5 MHz smalband

IN/OUT



IMD/IP3 2 + 3 MHz

