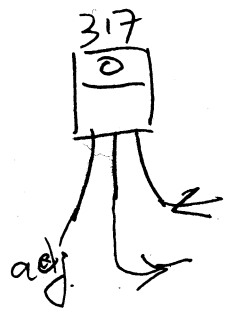
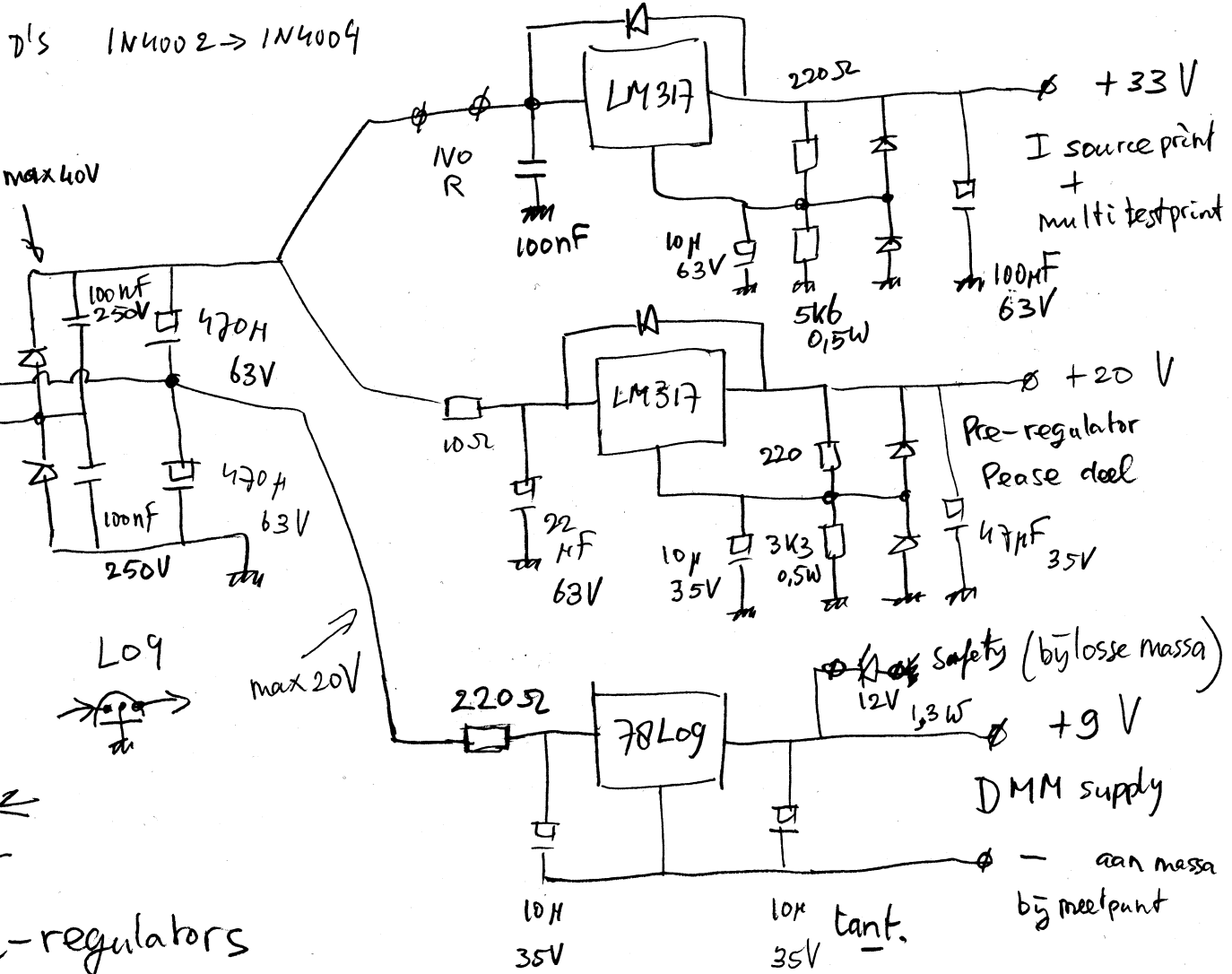


D's 1N4002 → 1N4004

AC adapter 1W

13,5 A
14V AC
Max DC = 40V

max 40V



Pre-regulators

DMM supply

- aan massa
bij meetpunt

+33V (à 36V)

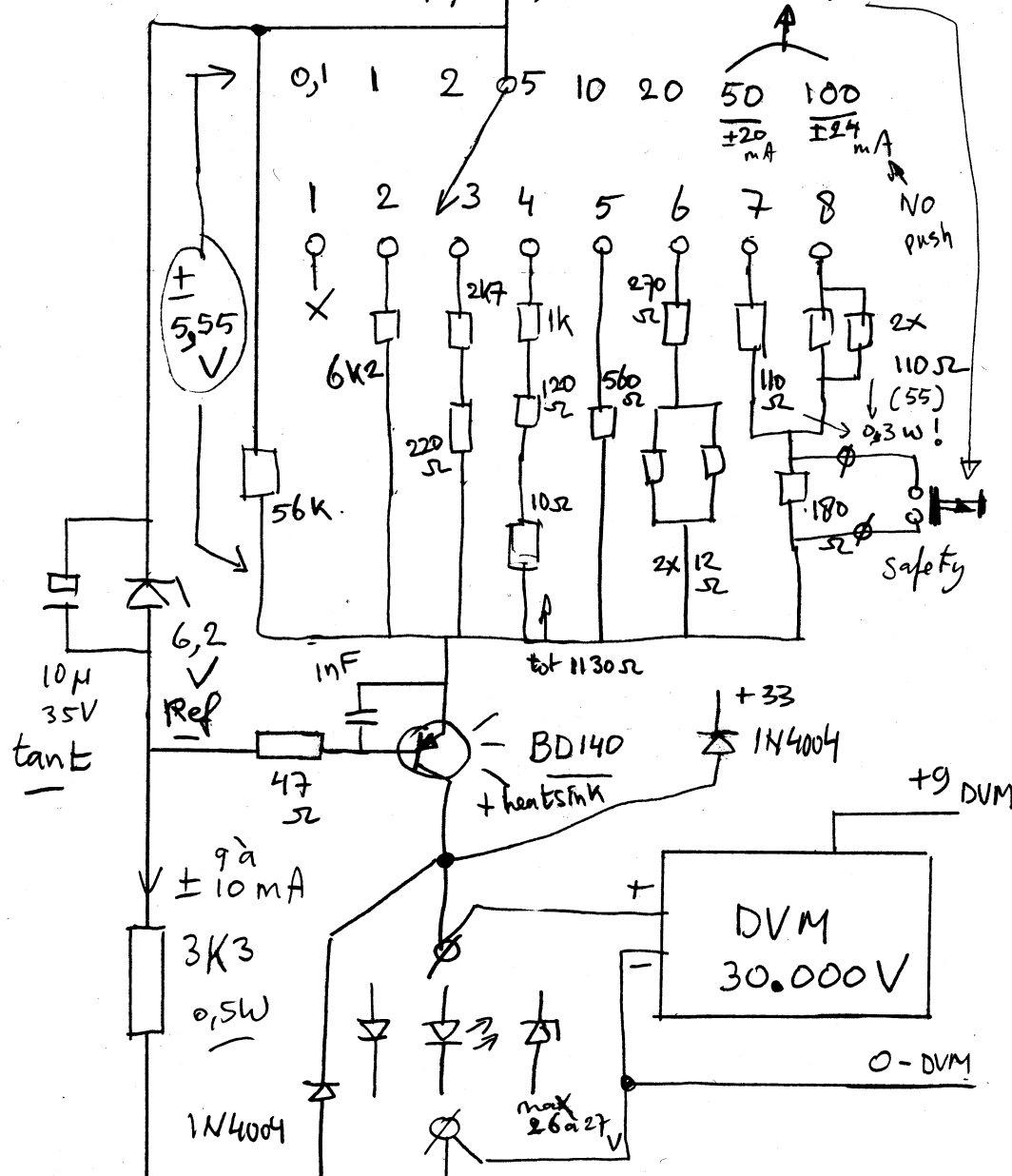
100H
63V (in PSU
deed)

I_d
mA

stand.

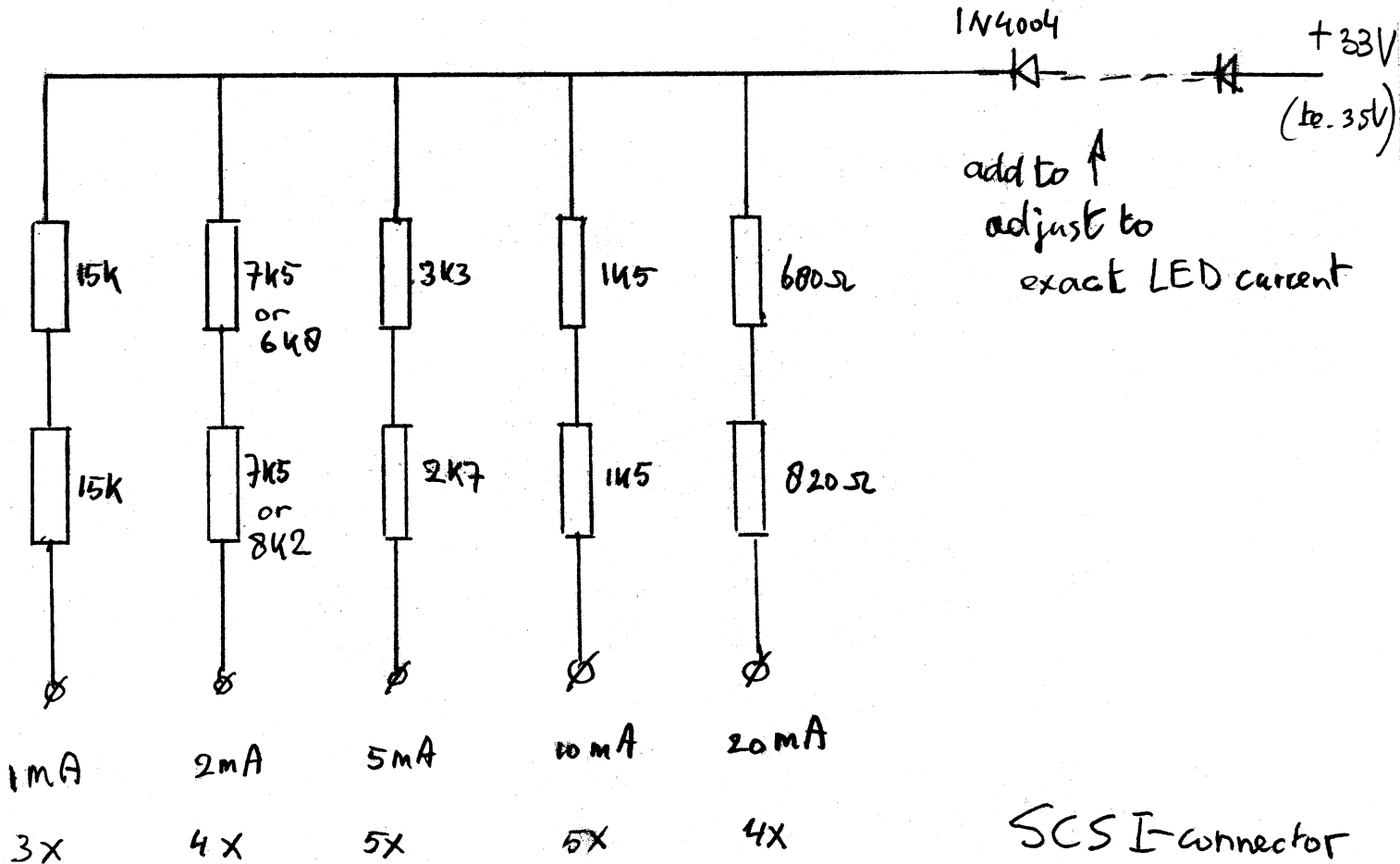
100nF

tricky!



current source switch

0



SCSI-connector
brightness test