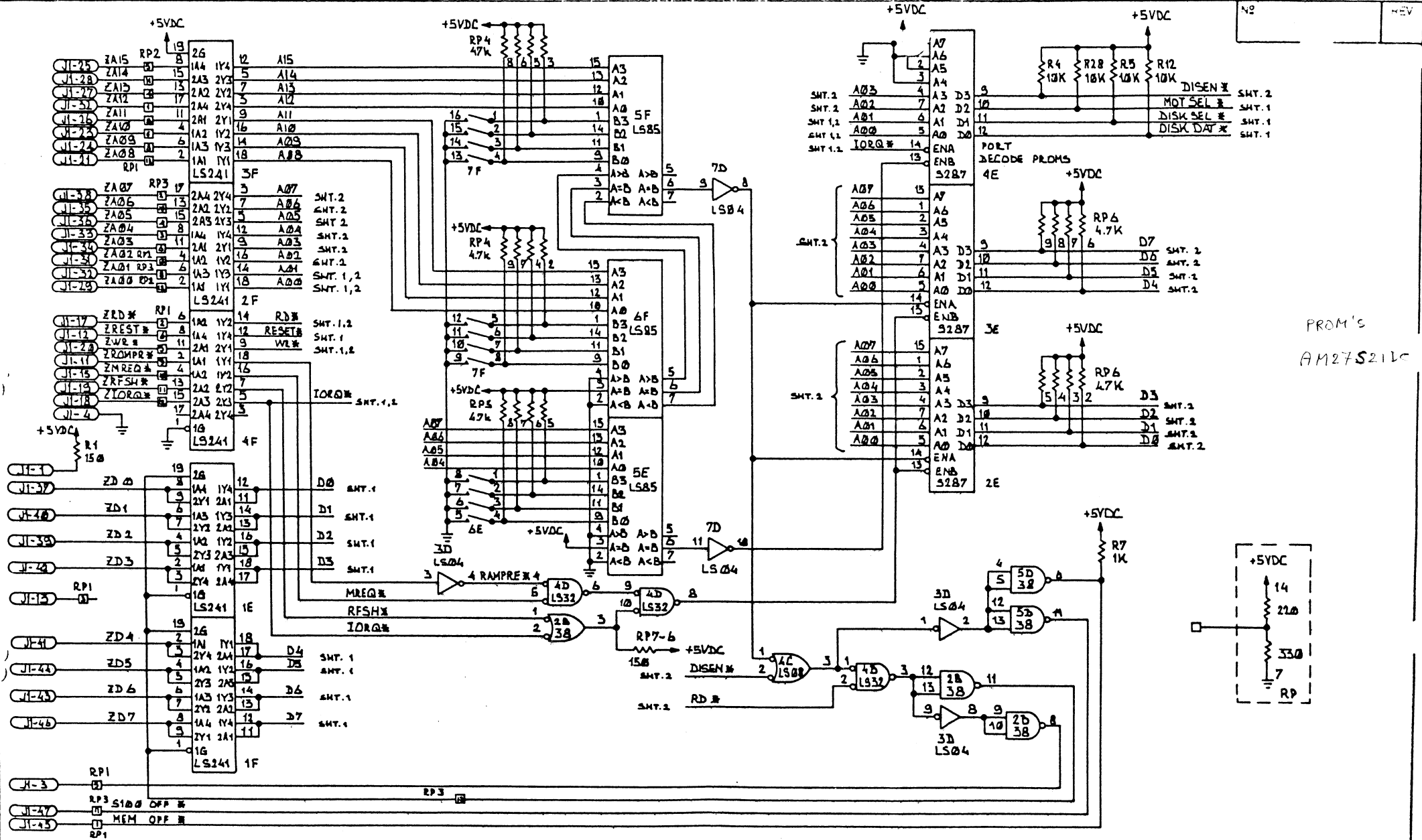


NOTE: RECTIFIERS AND RIPPLE FILTER CAPACITORS NOT INCLUDED IN THESE SCHEMATICS REFER TO SCHEMATIC "POWER SUPPLY FDS" OR "POWER SUPPLY V/D" FOR THIS PURPOSE.

© All copyrights reserved by Computa Systems BV, 's-Hertogenbosch, The Netherlands. Reproduction by any means allowed only after written permission.				TITLE: SCHEMATIC DDS / FDS CONTROLLER 				SHEET 1 OF 3	
REV	EC NO	DATE	DRWN	APPR	REV	EC NO	DATE	DRWN	APPR
DRAWN: E.v.E.			DATE: 3-12-81		NO		REV		
APPR:			DATE:						



PROM'S
AM27S212C

© All copyrights reserved by Computa Systems BV, s-Hertogenbosch, The Netherlands. Reproduction by any means allowed only after written permission.

TITLE SCHEMATIC DDS/FDS CONTROLLER

SHEET 2 OF 3

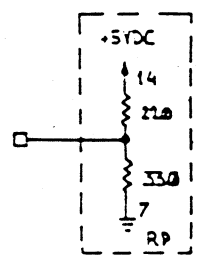
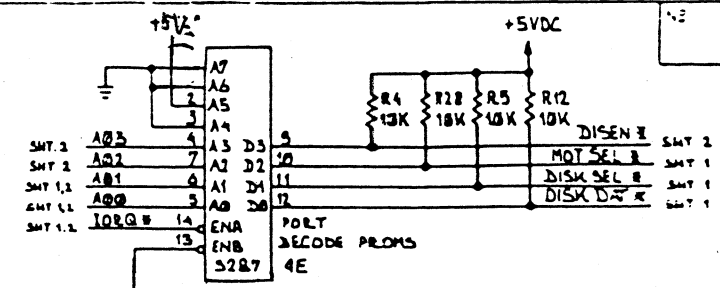
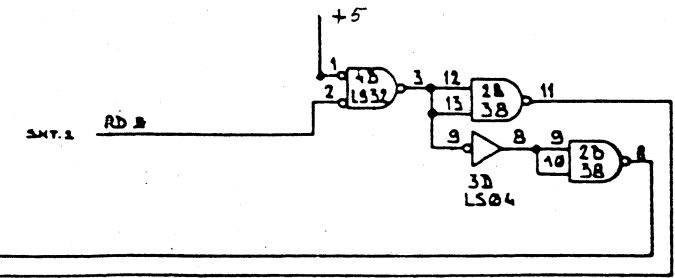
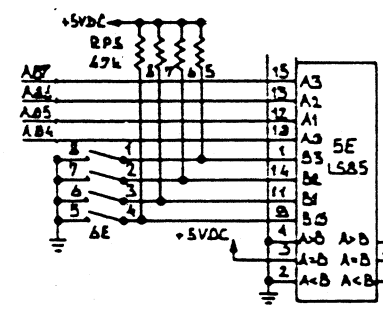
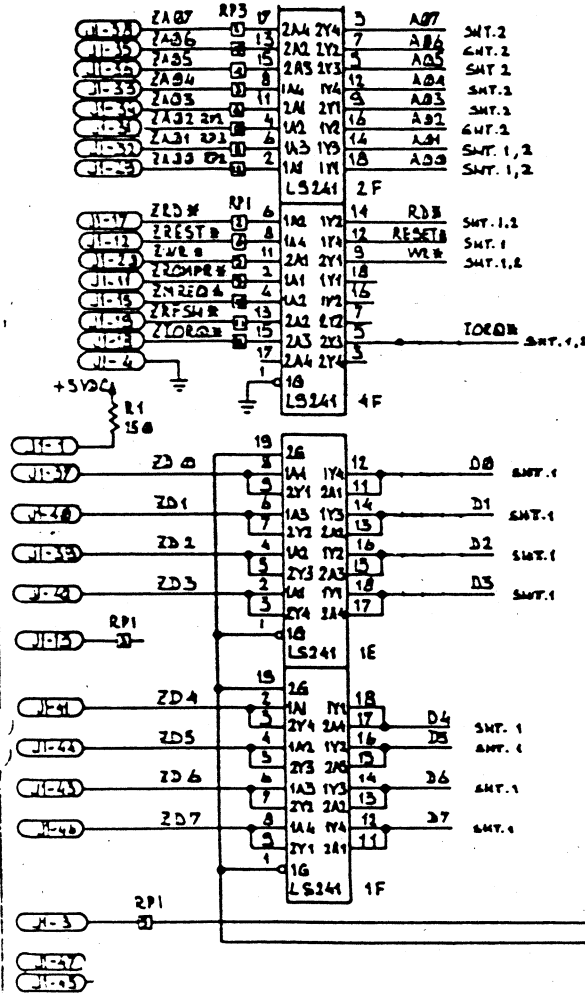
REV	EC N°	DATE	DRWN	APPR	REV	EC N°	DATE	DRWN	APPR

DRAWN: EvE DATE: 1-12-81 N°

APPR DATE

Logo: **COMPUTA SYSTEMS BV** s-Hertogenbosch The Netherlands. **EXDY SYSTEMS**

NO BOOTPROM VERSION



© All copyrights reserved by Comp. data Systems BV, s-Hertogenbosch, The Netherlands. Reproduction by any means allowed only after written permission.	TITLE SCHEMATIC DDS/FDG CONTROLLER				SHEET 2 OF 3			
	REV. 1.0	DATE	DRAWN/APPV.	RE.	ED. NO.	DATE	DRAWN.	
	DRAWN E.v.L.	DATE 2-12-81	NO.	RE.	DATE	NO.	RE.	

