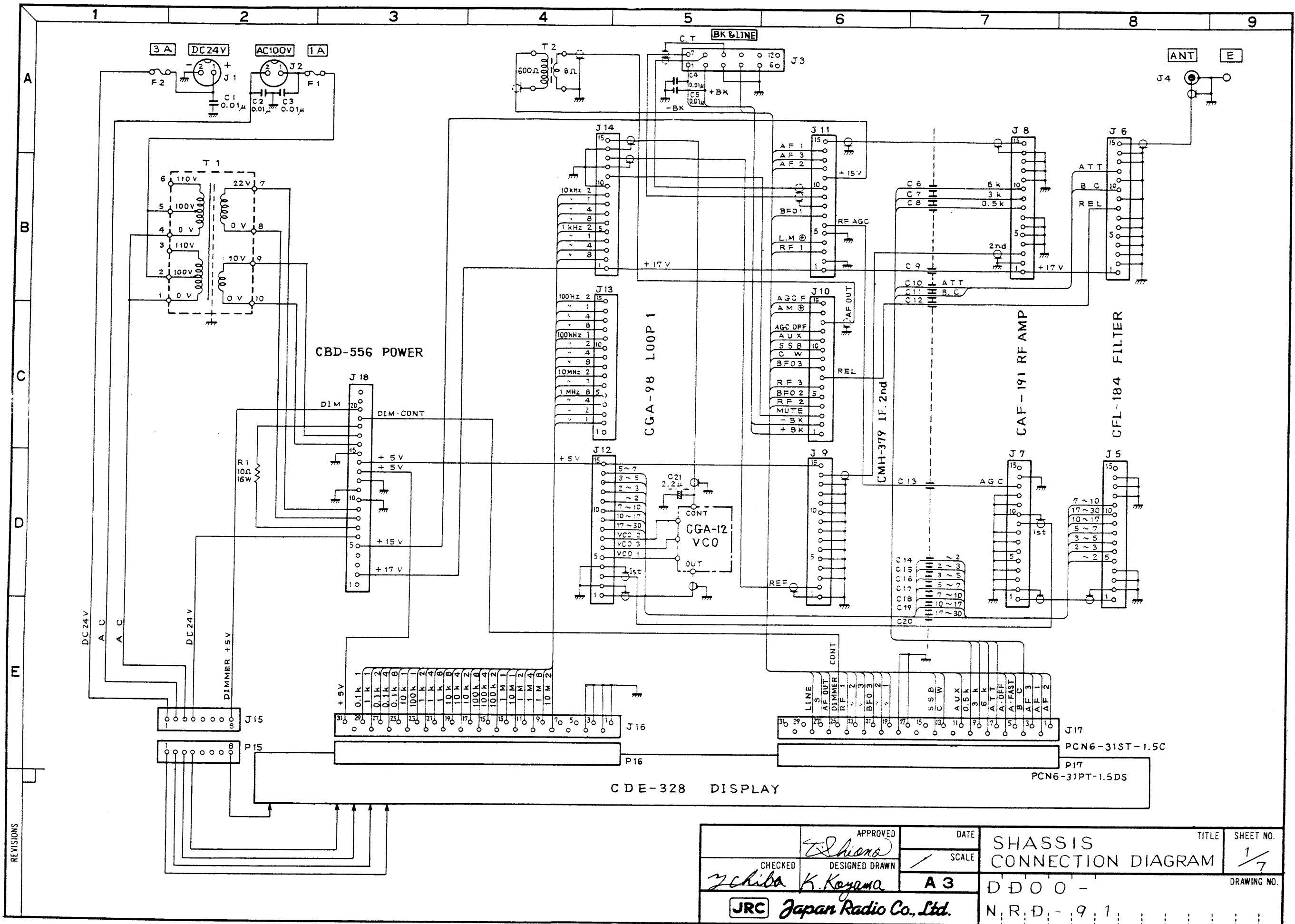


REVISIONS

APPROVED <i>W. Hirono</i>	DATE	RECEIVER	TITLE	SHEET NO
CHECKED <i>Zehita</i>	DESIGNED DRAWN <i>K. Kojima</i>	SCALE A 3	BLOCK DIAGRAM	
JRC Japan Radio Co., Ltd.		DA 00 -	DRAWING NO.	
		N.R.D. - 4		



REVISIONS

APPROVED	DATE	SHASSIS CONNECTION DIAGRAM	TITLE	SHEET NO. 1/7
<i>T. Shiono</i>				
CHECKED	DESIGNED DRAWN	SCALE		
<i>Y. Chiba</i>	<i>K. Koyama</i>	A 3		
JRC Japan Radio Co., Ltd.		D D O O -		
		N. R. D. - 9. 1		

REVISIONS

M

D

C

B

A

JRC

Japan Radio Co., Ltd.

CHECKED
y. shiba

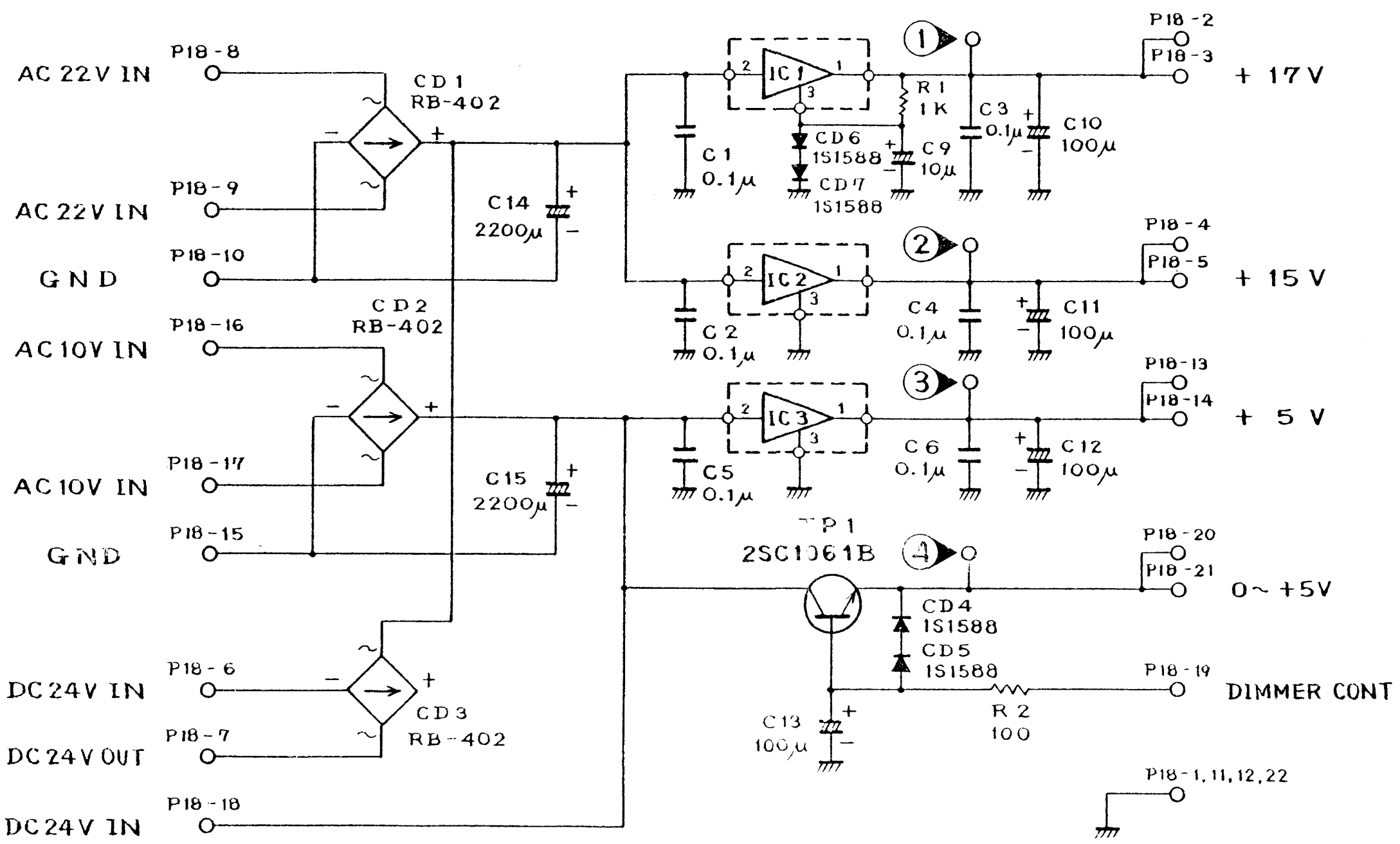
DESIGNED DRAWN
K. Koyama

APPROVED
E. H. Wang

SCALE
A 4

DDO0-
NRD-91
CBD-556 POWER
CONNECTION DIAGRAM

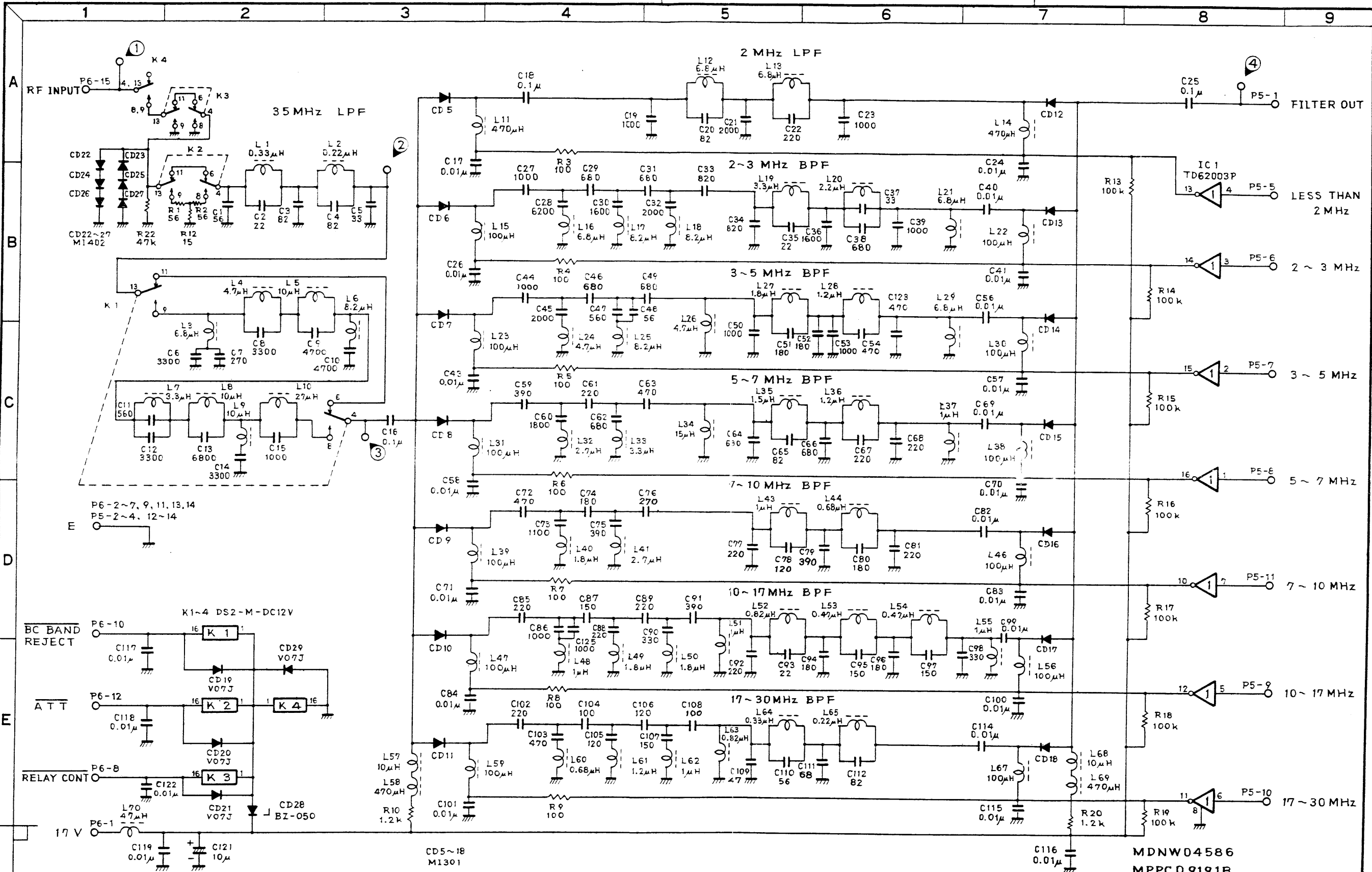
SHEET NO.
2/7
DRAWING NO.



IC 1, 2 SI-3152P
IC 3. SI-3052P

MDBW01181 MPPC09187A

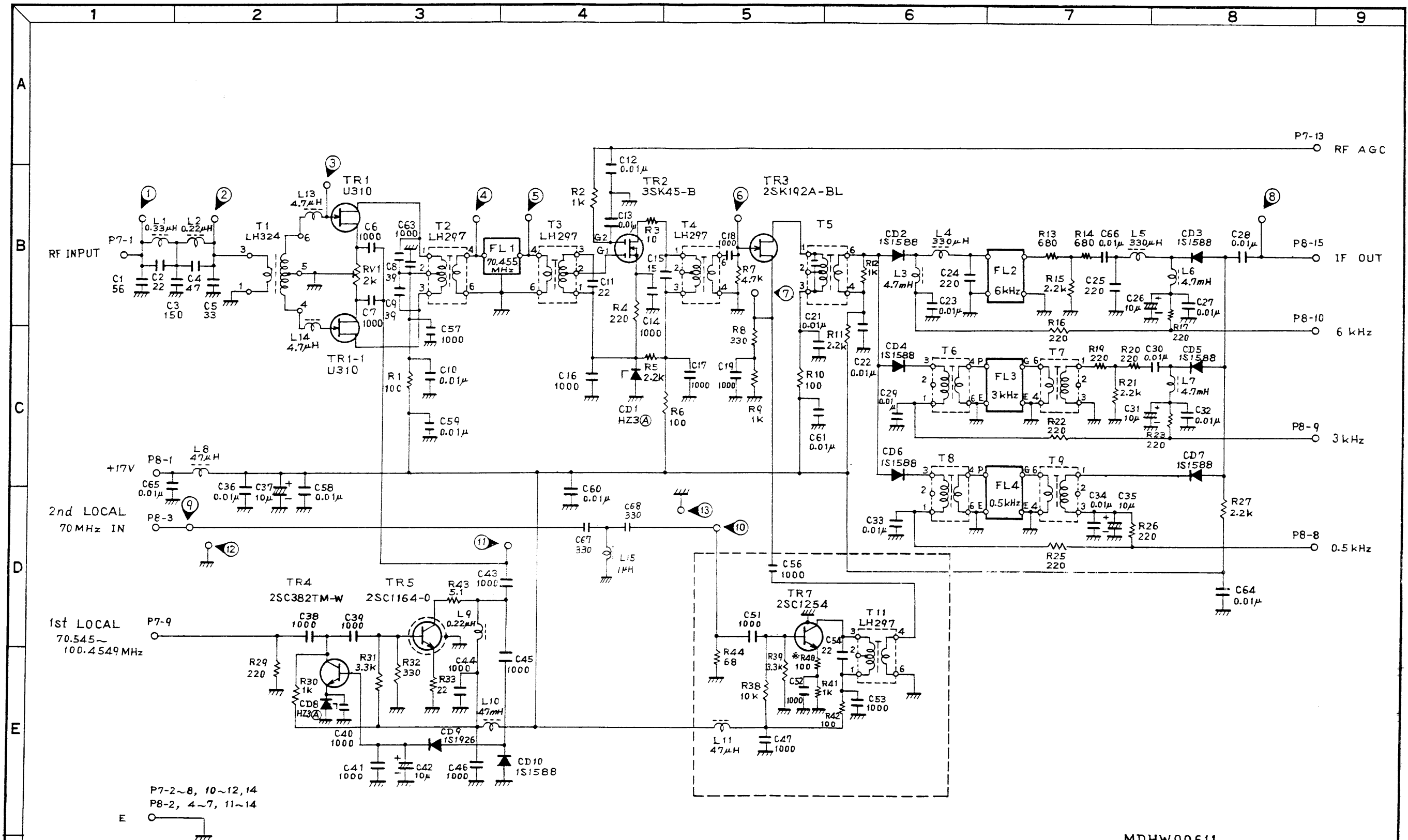
1
2
3
4



MDNW04586
MPPC09191B

APPROVED <i>T. Koyama</i>	DATE	TITLE CFL-184 RF INPUT FILTER CONNECTION DIAGRAM	SHEET NO. 3/7
CHECKED <i>Zehiber</i>	SCALE A3		
DESIGNED DRAWN <i>K. Koyama</i>		D D O O -	DRAWING NO.
JRC Japan Radio Co., Ltd.		N R D - 9 1	

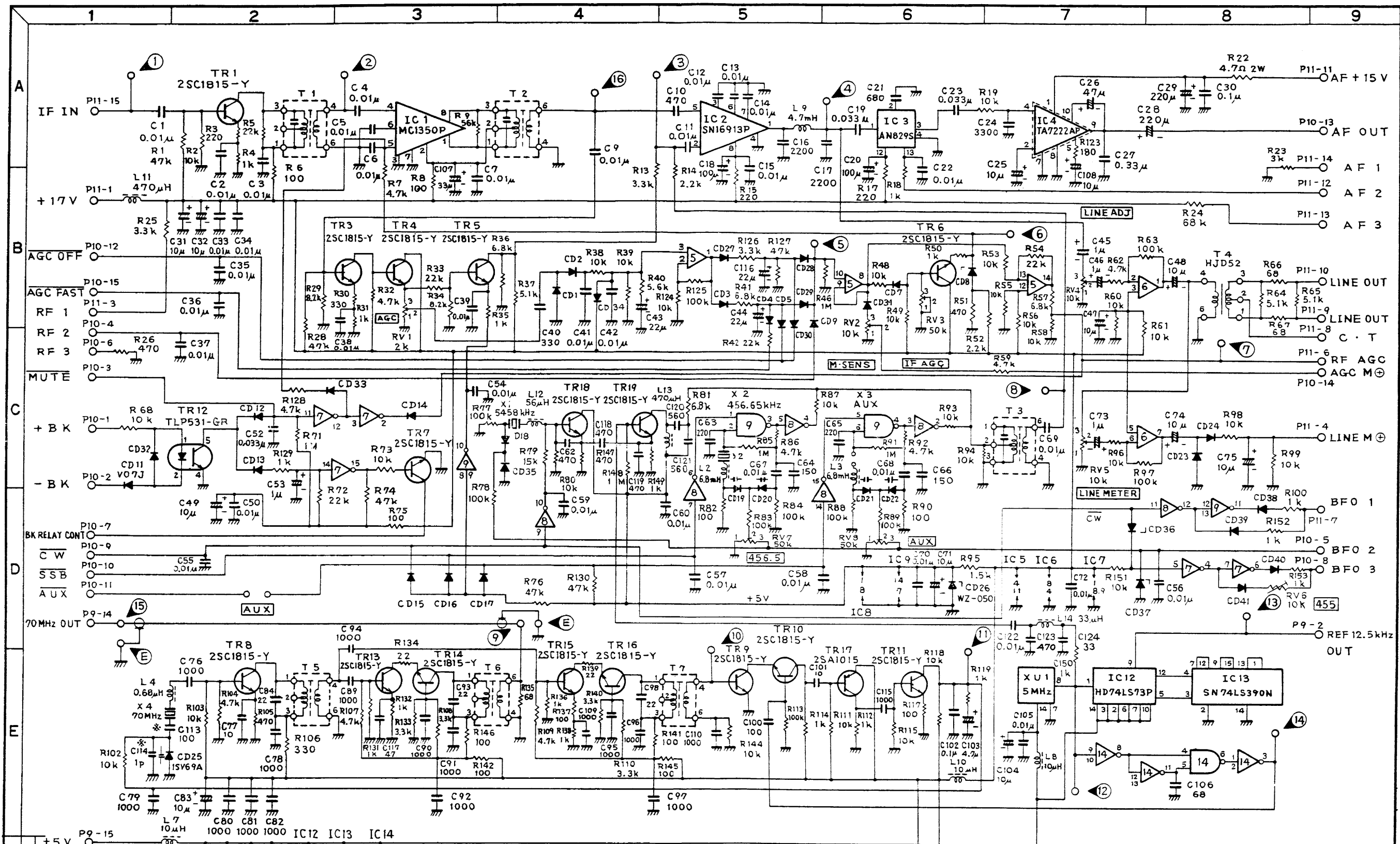
REVISIONS



MDHW00611
MPPC 09 1888

REVISIONS

APPROVED <i>[Signature]</i>		DATE	TITLE CAF-191 RF AMP CONNECTION DIAGRAM	SHEET NO. 4/7
CHECKED <i>[Signature]</i>	DESIGNED DRAWN K. Koyama	SCALE A 3		
JRC Japan Radio Co., Ltd.			D D 0 0 -	DRAWING NO.
			N R D - 9 1	



REVISIONS

+5V P9-15
GND P9-1, 3-13
P11-2, 5

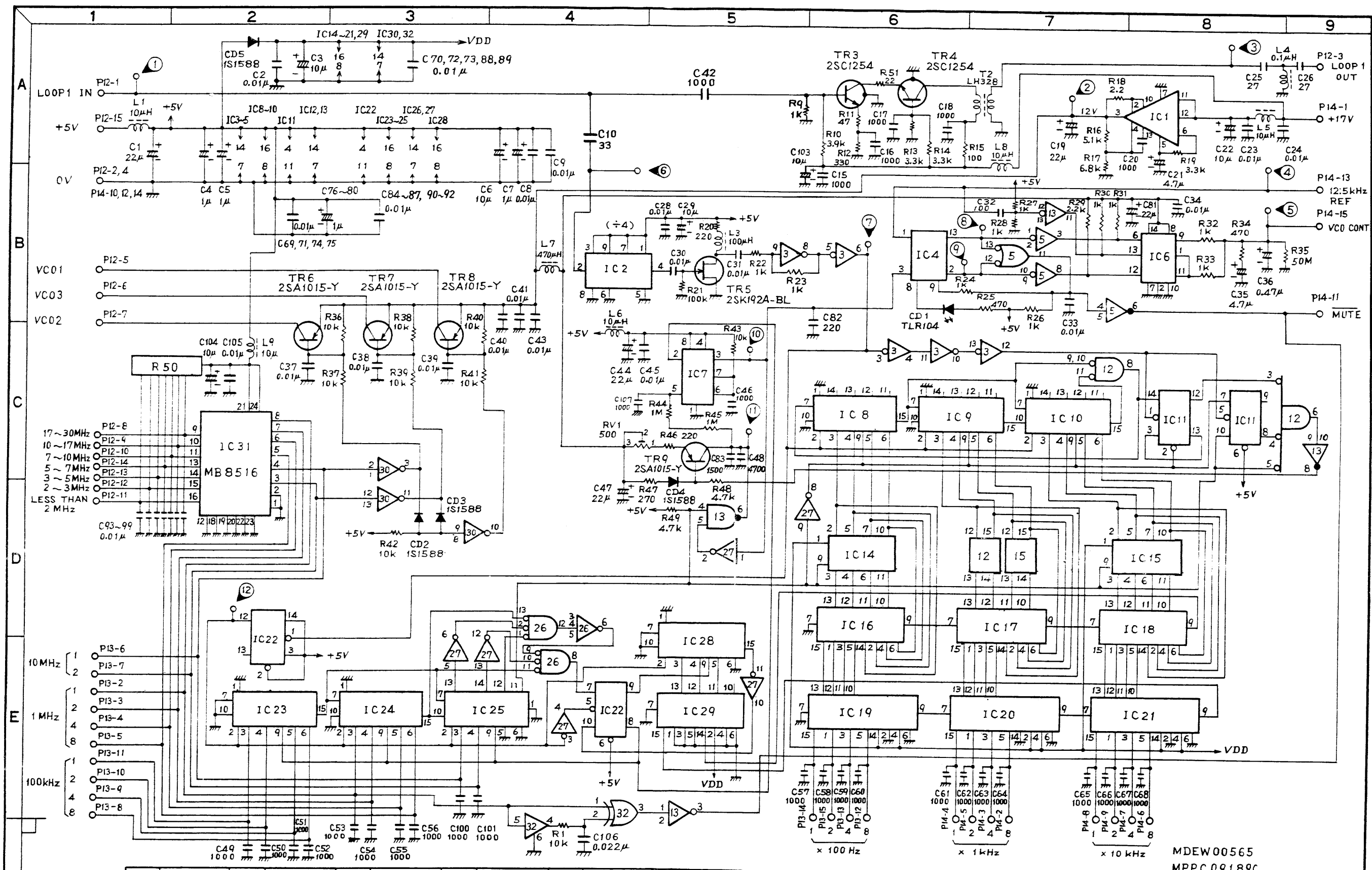
AUX	fcenter	X 3
FSK	456.7kHz	456.85kHz
FAX	456.9kHz	457.05kHz

IC 5	NJM2902N	CD18-22,35	1SV149B
IC 6	NJM4558D	CD8,26,36	WZ050
IC 7,8	TC4049BP	CD31	WZ065
IC 9	TC4011BP	CD37	WZ150
IC 14	SN74H00N		
CD1-5, 7, 9			1S1588
12-17, 23, 24			
27-30, 32, 33			
34, 38-41			

APPROVED: *E. Shiono*
 CHECKED: *Zehiba K. Koyama*
 DESIGNED DRAWN: *Zehiba K. Koyama*
 SCALE: **A 3**
JRC Japan Radio Co., Ltd.

MDYW01542
MPPC09190C

DATE	TITLE	SHEET NO.
SCALE	CMH-379 IF, 2nd OSC CONNECTION DIAGRAM	5/7
D D O O -	DRAWING NO.	
N R D - 9 1		

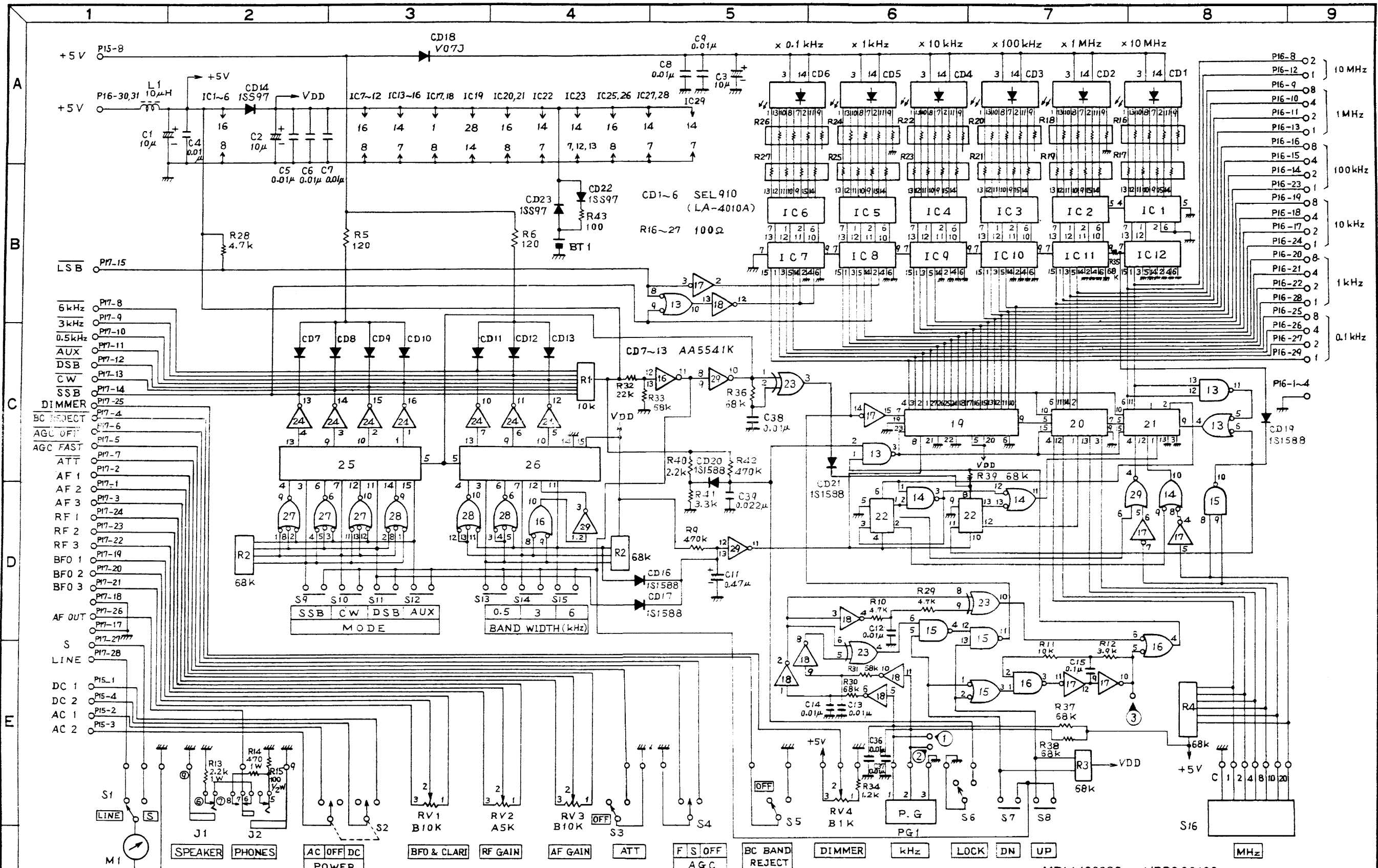


IC 1	HA17723G	IC 7	HA17555PS	IC 13	HD74LS26P	IC 19	TC4560BP	IC 25	74LS168PC	IC 32	TC4030BP
2	TD6102P	8	74LS168AN	14	TC40174BP	20	"	26	HD74LS27P		
3	HD74LS04P	9	"	15	"	21	"	27	HD74LS04P		
4	MC4044P	10	"	16	TC4560BP	22	HD74LS73P	28	74LS168AN		
5	HD74LS26P	11	HD74LS73P	17	"	23	74LS168AN	29	TC4560BP		
6	TC4016BP	12	HD74LS27P	18	"	24	"	30	TC5029BP		

MDEW00565
MPPC09189C

APPROVED <i>[Signature]</i>	DATE	TITLE CGA-98 LOOP 1 CONNECTION DIAGRAM	SHEET NO. 6/7
CHECKED <i>Yoshida K. Koyama</i>	SCALE A3	D D O O -	DRAWING NO.
JRC Japan Radio Co., Ltd.		N.R.D. - 9.1	

REVISIONS

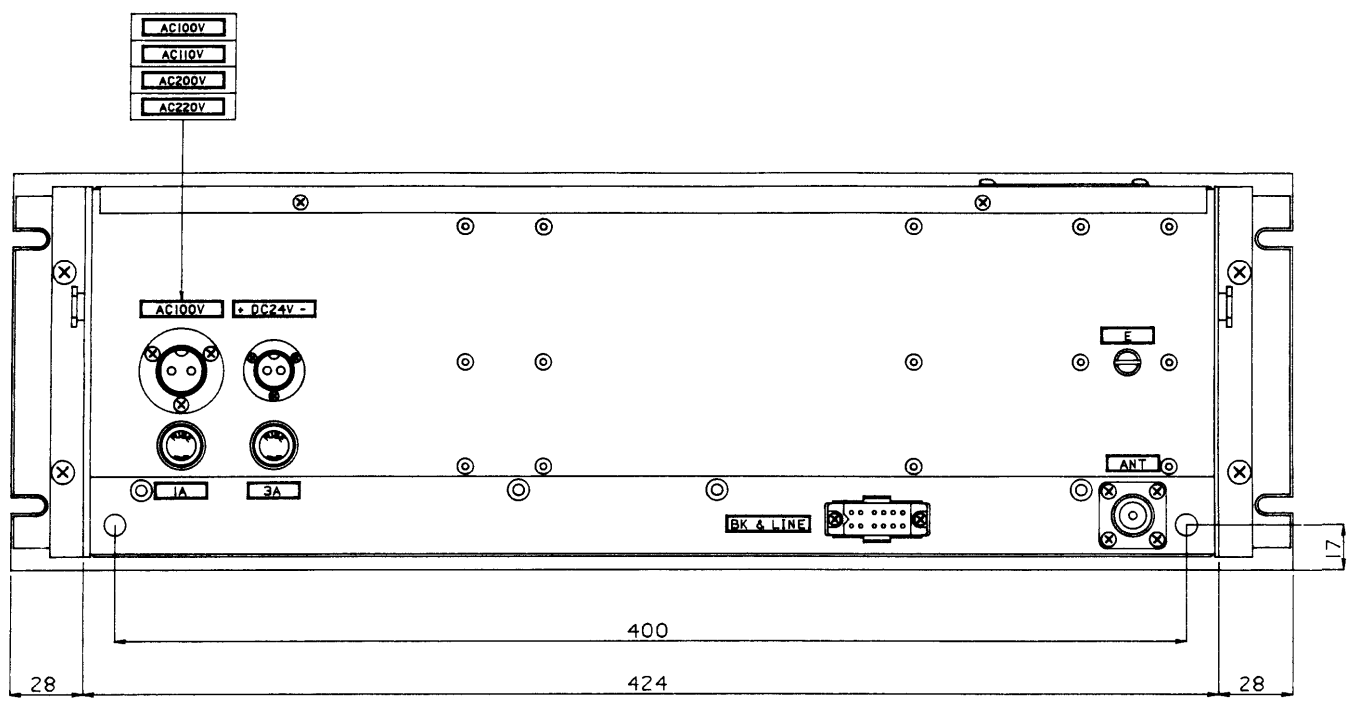


REVISIONS

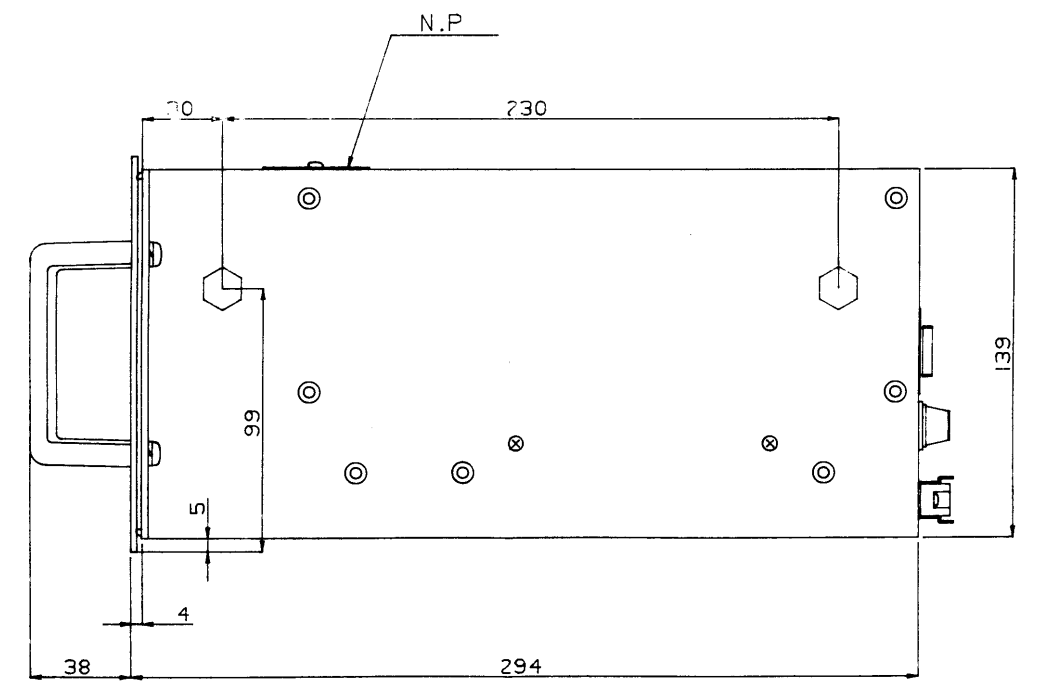
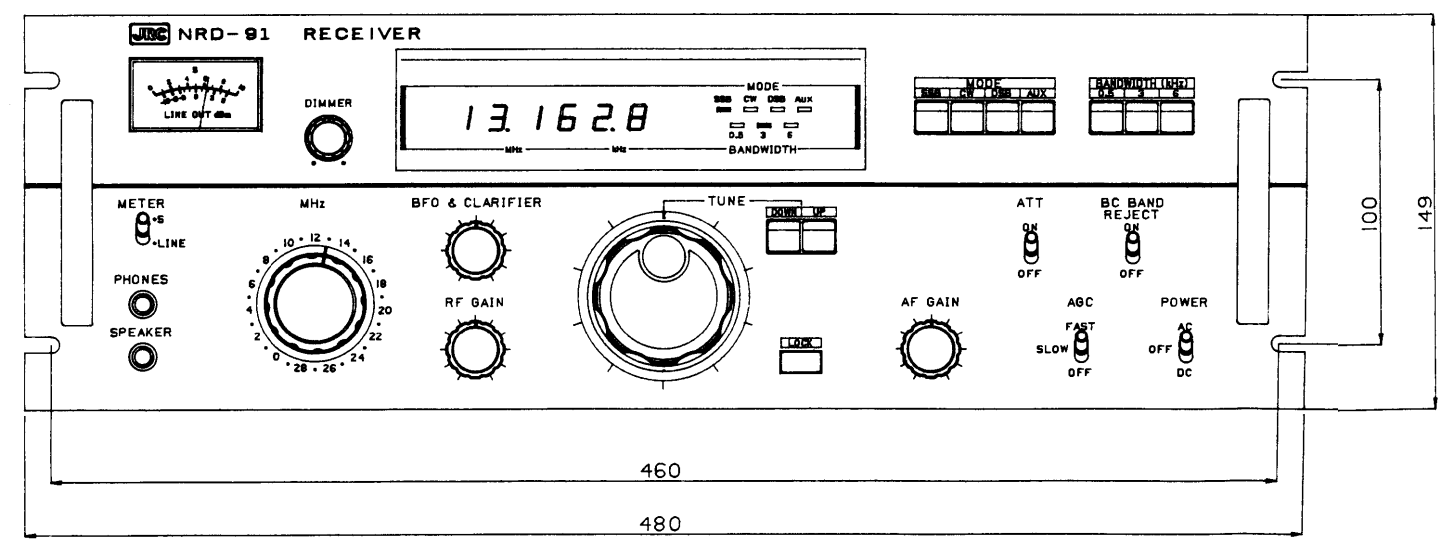
IC 1~6	HD74LS47P	IC 20,21	TC4510BP	IC 27,28	TC4073BP
IC 7~12	TC4560BP	IC 22	TC4013BP	IC 29	TC4001BP
IC 13~16	TC4011BP	IC 23	TC4030BP		
IC 17, 18	TC4049BP	IC 24	TD62003P		
IC 19	TC5010P	IC 25,26	TC4044BP		

APPROVED		DATE	TITLE	SHEET NO.
CHECKED		SCALE	CDE-328 DISPLAY CONNECTION DIAGRAM	7/7
DESIGNED DRAWN		A 3	DD00-	DRAWING NO.
JRC Japan Radio Co., Ltd.			N.R.D.-9.1	

MDLW02380 MPPC09192 D



REAR VIEW

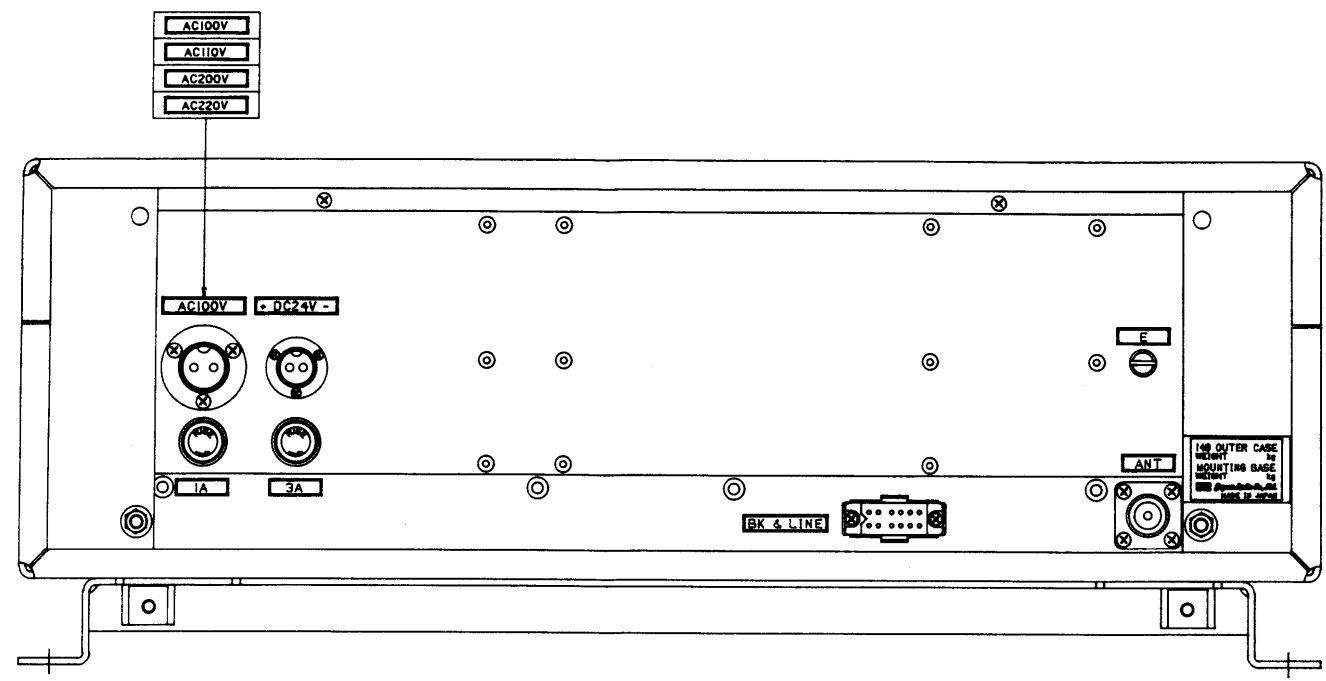


WEIGHT 7 kg

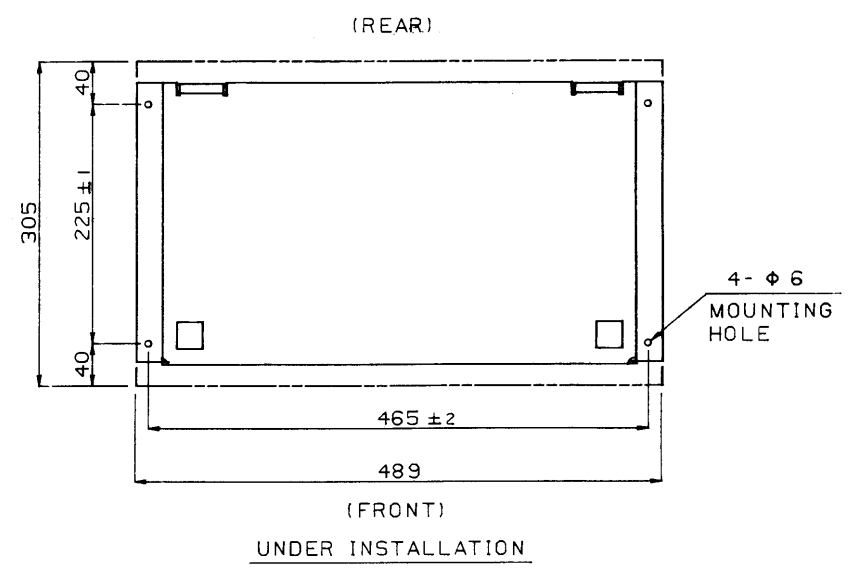
UNLESS OTHERWISE SPECIFIED		SPECIFIED	TOLERANCE
DIMENSION	SPECIFIED		
	0 TO 16		± 1
OVER	16 TO 50		± 2
OVER	50 TO 250		± 4
OVER	250 TO 1000		± 8
OVER	1000 TO 3000		± 12

CHECKED <i>M. Janda</i>	APPROVED <i>H. Masumoto</i>	DATE DEC. 1962	NRD-91 RECEIVER OUTLINE DRAWING	SHEET NO. /
	DESIGNED DRAWN	SCALE 1/2		
A2			CCNRD7151	
JRC Japan Radio Co., Ltd.				

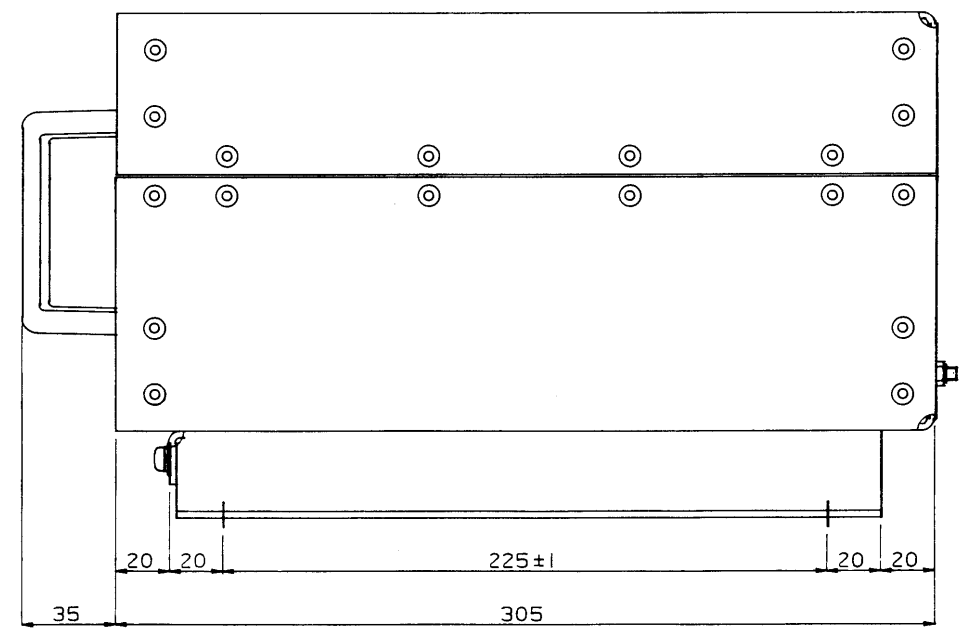
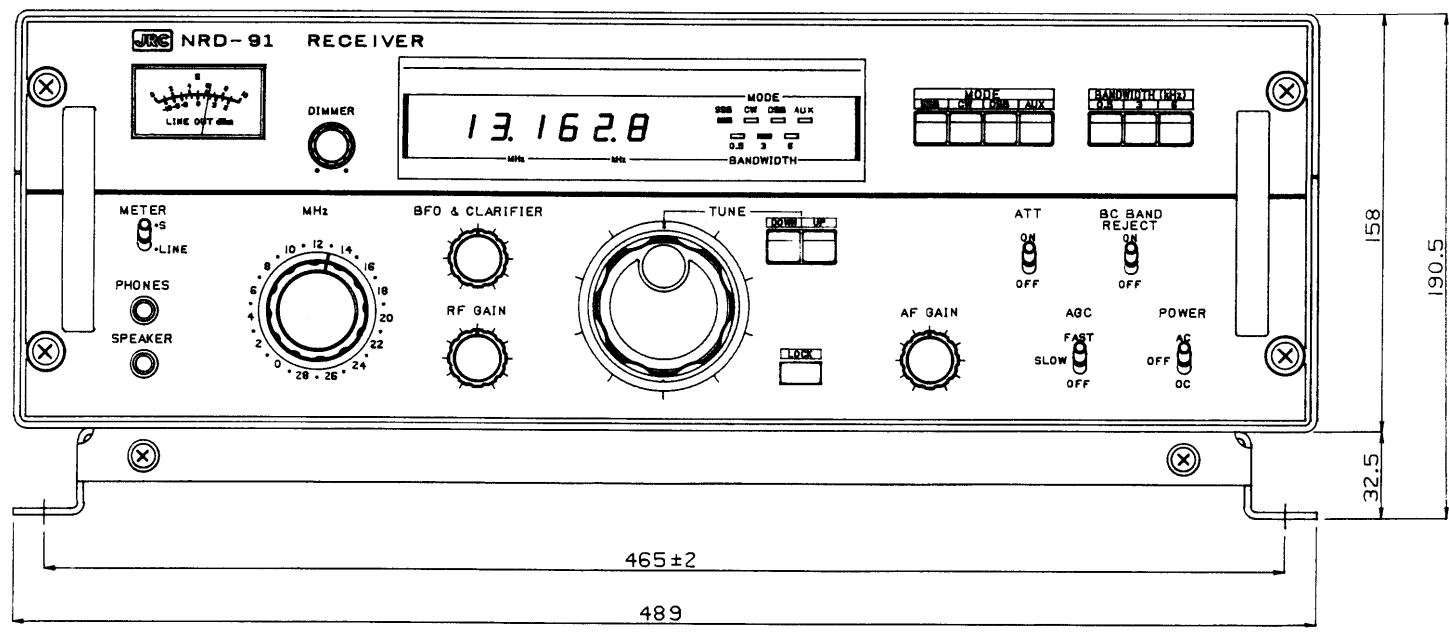
REVISIONS



REAR VIEW



(FRONT)
UNDER INSTALLATION



WEIGHT 11.5 kg

UNLESS OTHERWISE SPECIFIED		SPECIFIED
DIMENSION	SPECIFIED	TOLERANCE
0 TO	16	± 1
OVER	16 TO 50	± 2
OVER	50 TO 250	± 4
OVER	250 TO 1000	± 8
OVER	1000 TO 3000	± 12

APPROVED <i>H. Masunaka</i>	DATE DEC. 1982	TITLE NRD-91 RECEIVER OUTLINE DRAWING	SHEET NO. /
	SCALE 1/2		
CHECKED <i>S. Irie</i>	DESIGNED DRAWN <i>M. Tsuchida</i>	A 2	DRAWING NO.
JRC Japan Radio Co., Ltd.		00NRD7153	