

MODEL NRD-545

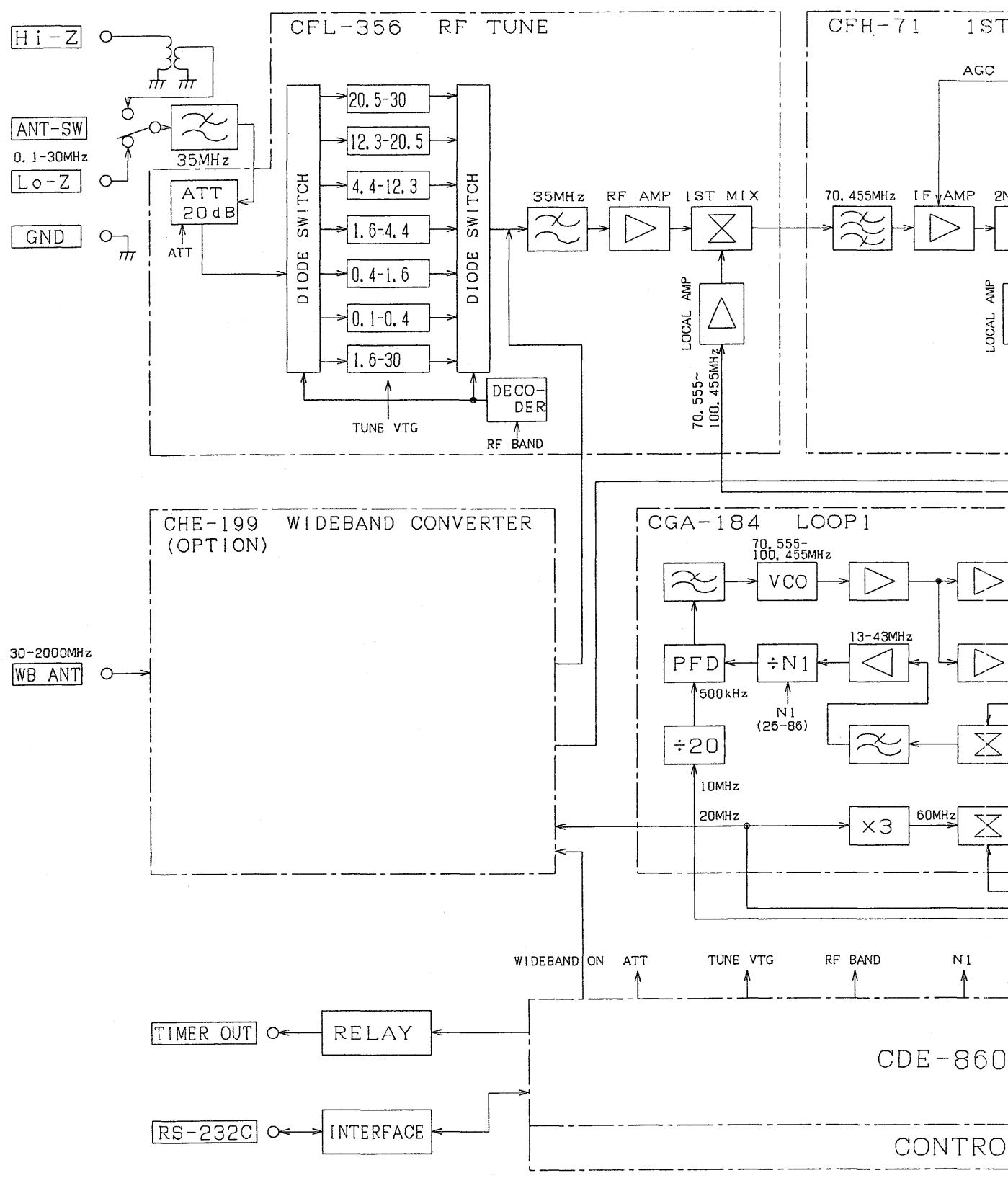
SERVICE MANUAL

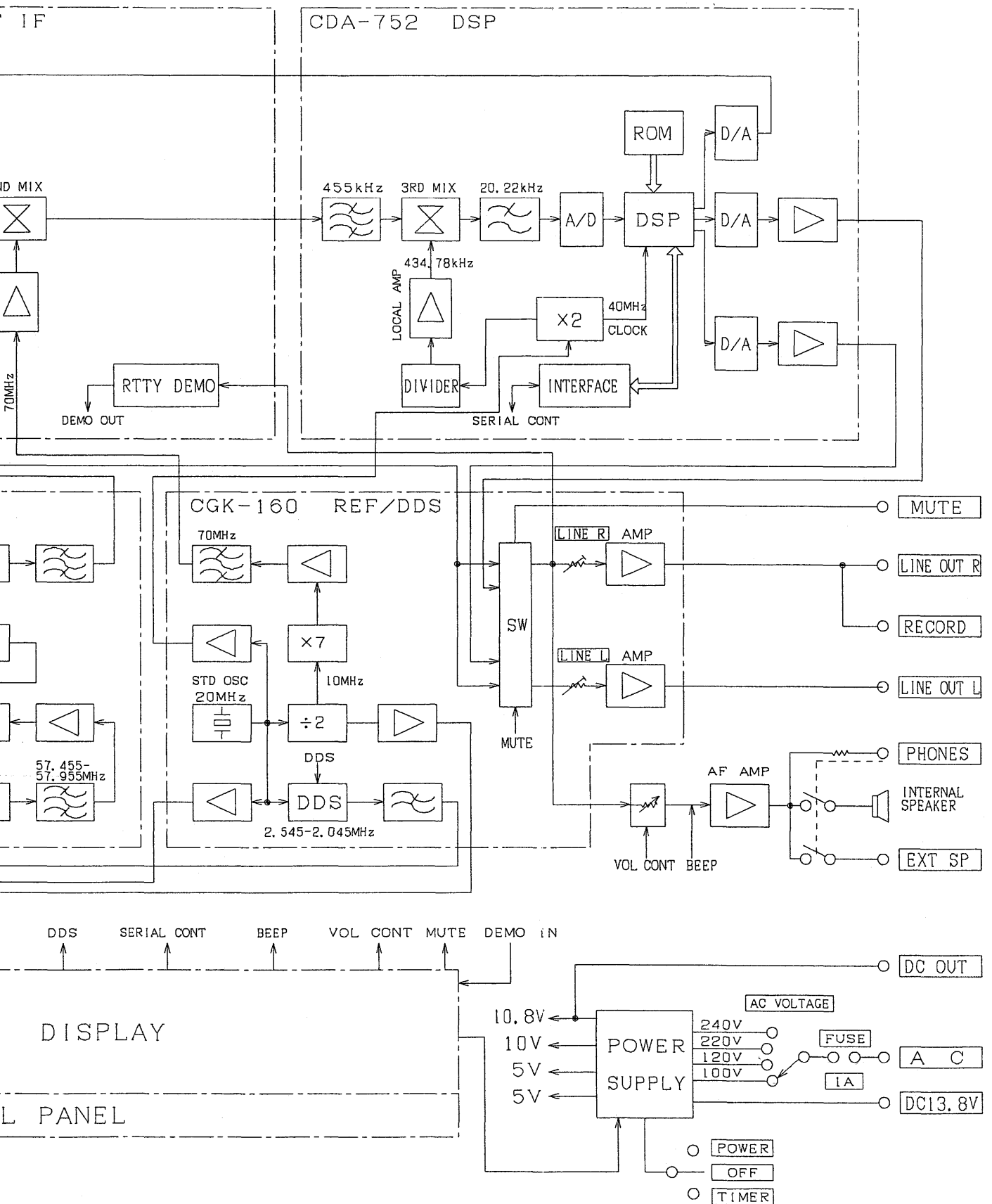
JRC *Japan Radio Co., Ltd.*



DSP RECEIVER

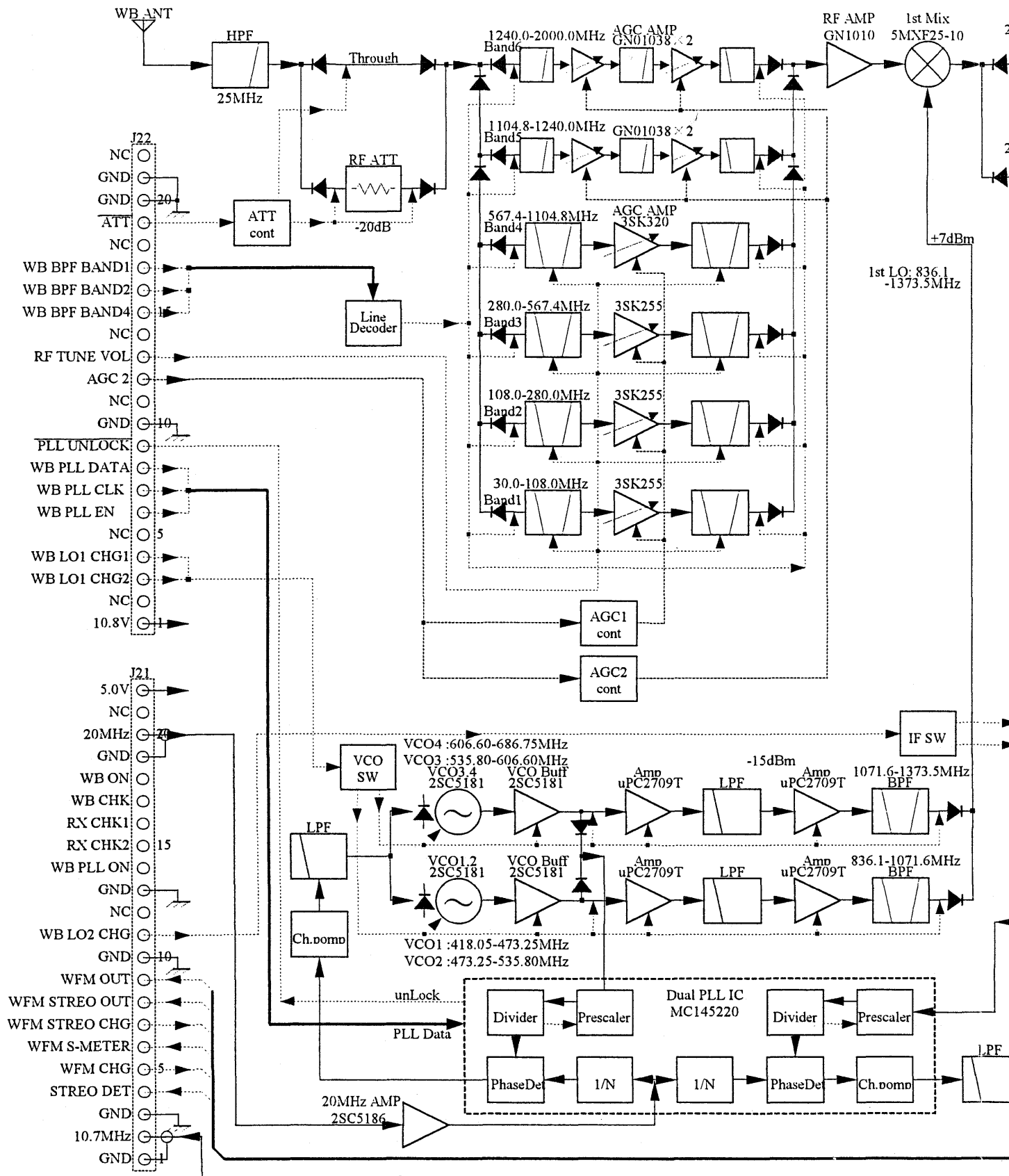
5. BLOCK DIAGRAM



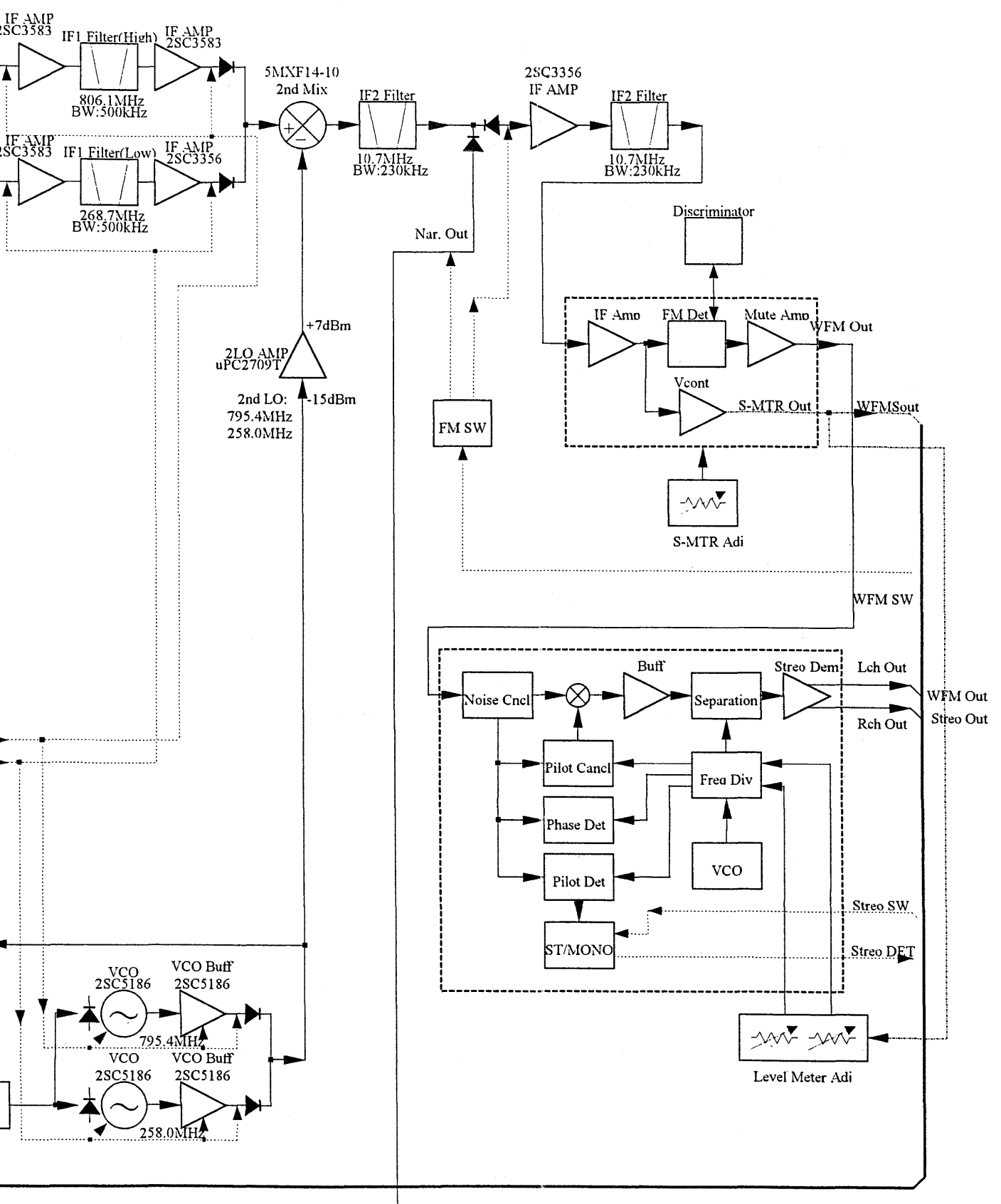


NRD-545 DSP RECEIVER
BLOCKDIAGRAM

CHE-199 Wideband Conv

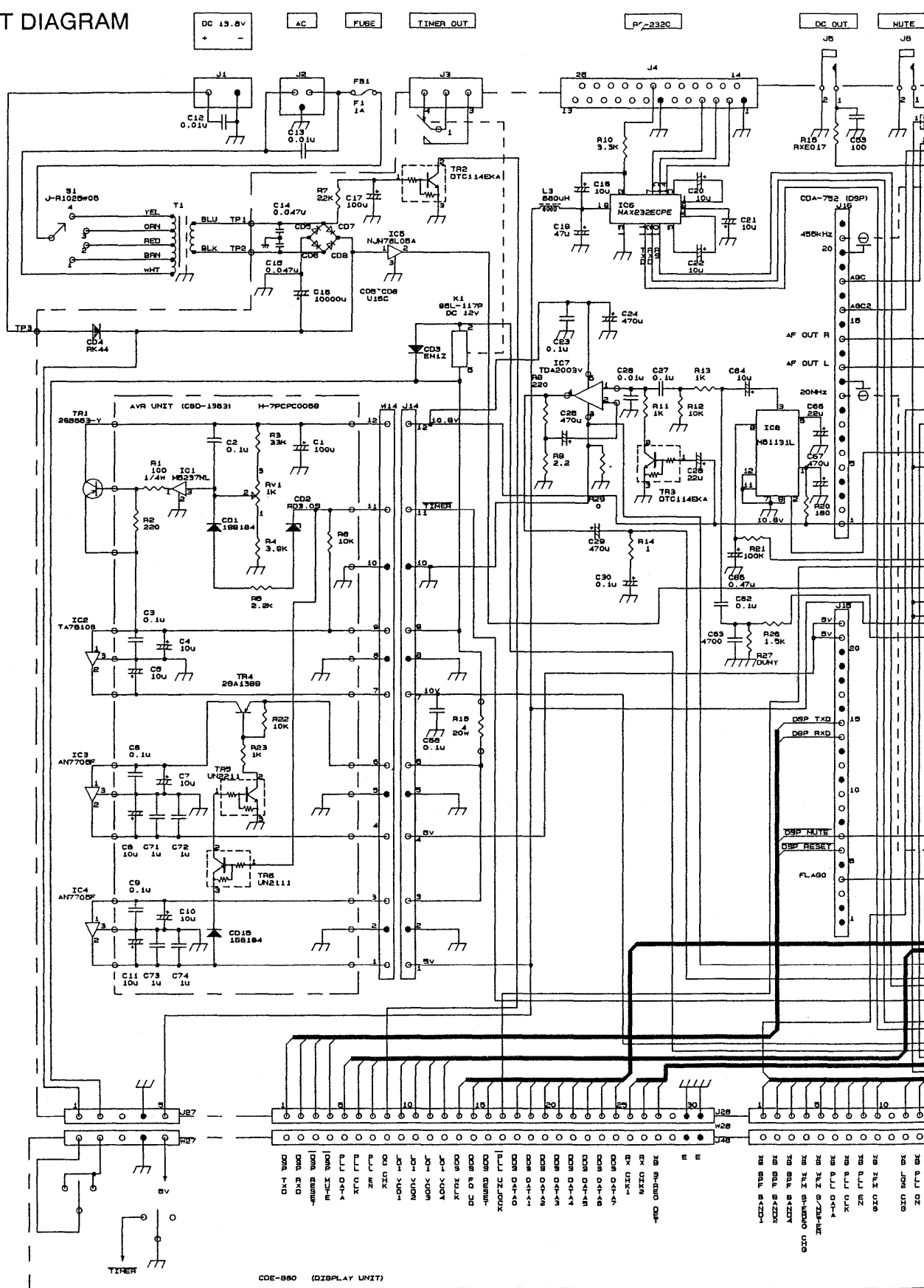


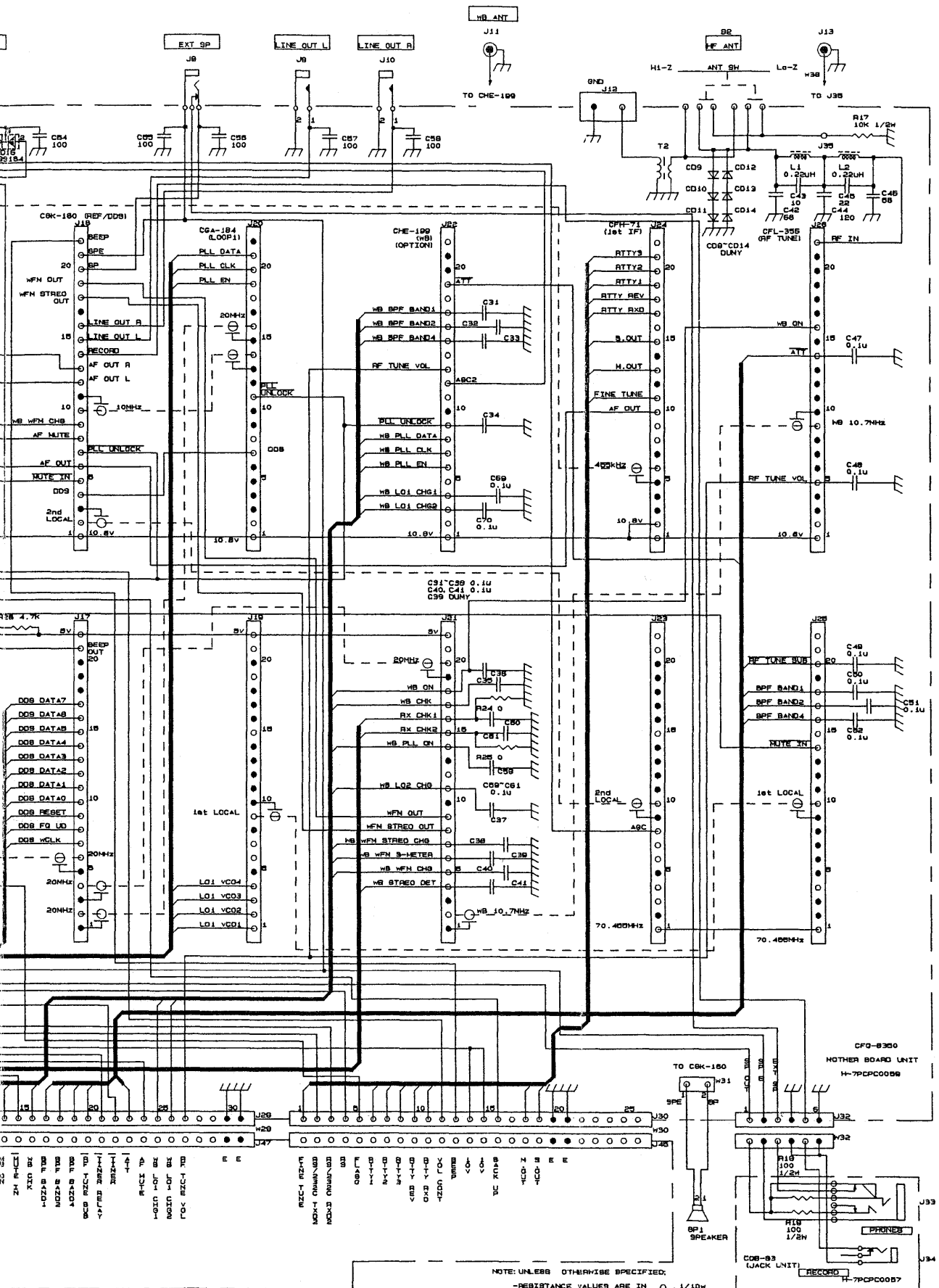
Converter Unit Blockdiagram



9. CIRCUIT DIAGRAM AND PCBLAYOUT

9-1 CIRCUIT DIAGRAM

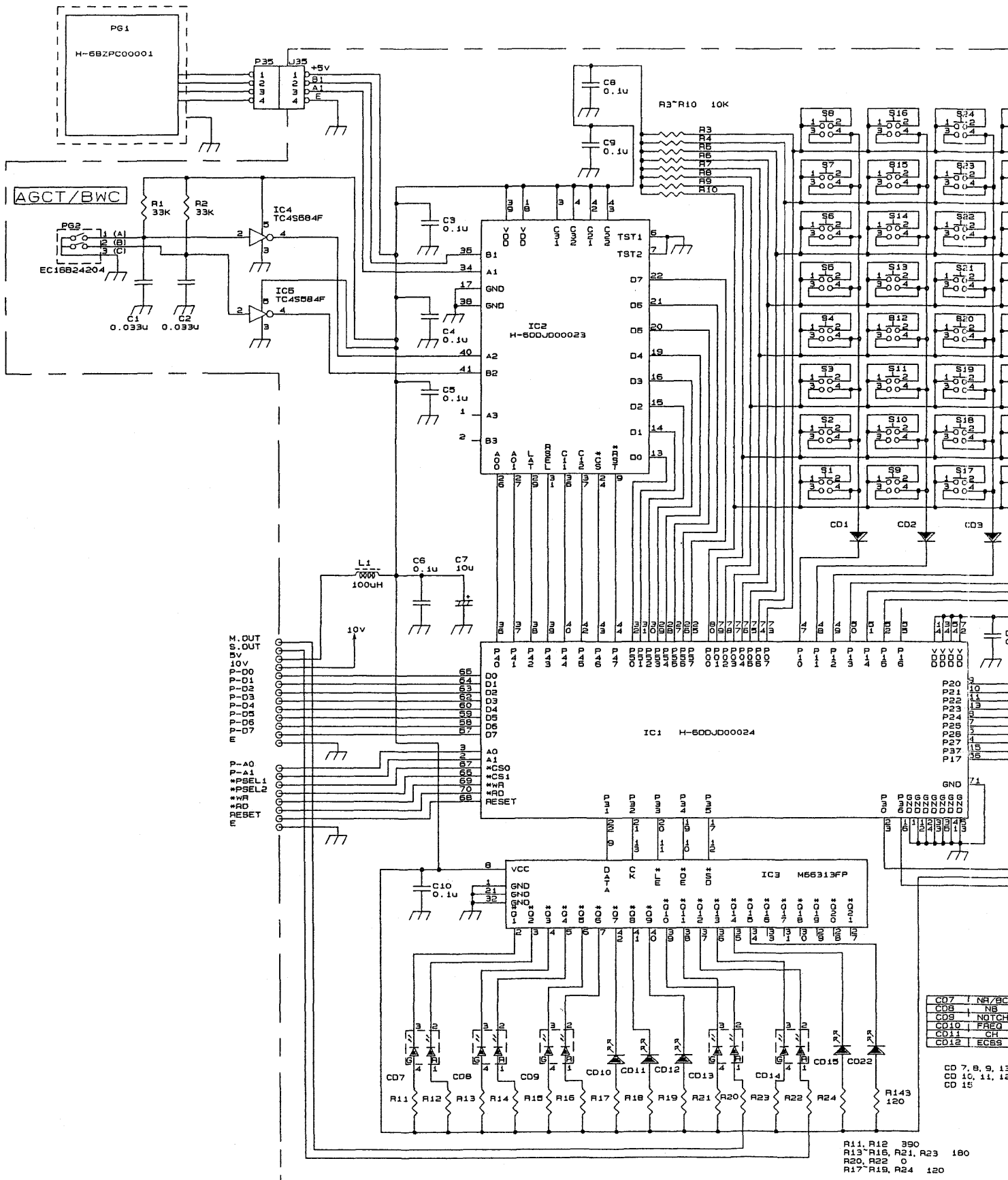




NOTE: UNLESS OTHERWISE SPECIFIED:
 -RESISTANCE VALUES ARE IN Ω , 1/10W
 -CAPACITANCE VALUES ARE IN pF.

CFQ-8350

MOTHER BOARD UNIT



M. OUT
 S. OUT
 10V
 P-D0
 P-D1
 P-D2
 P-D3
 P-D4
 P-D5
 P-D6
 P-D7
 E

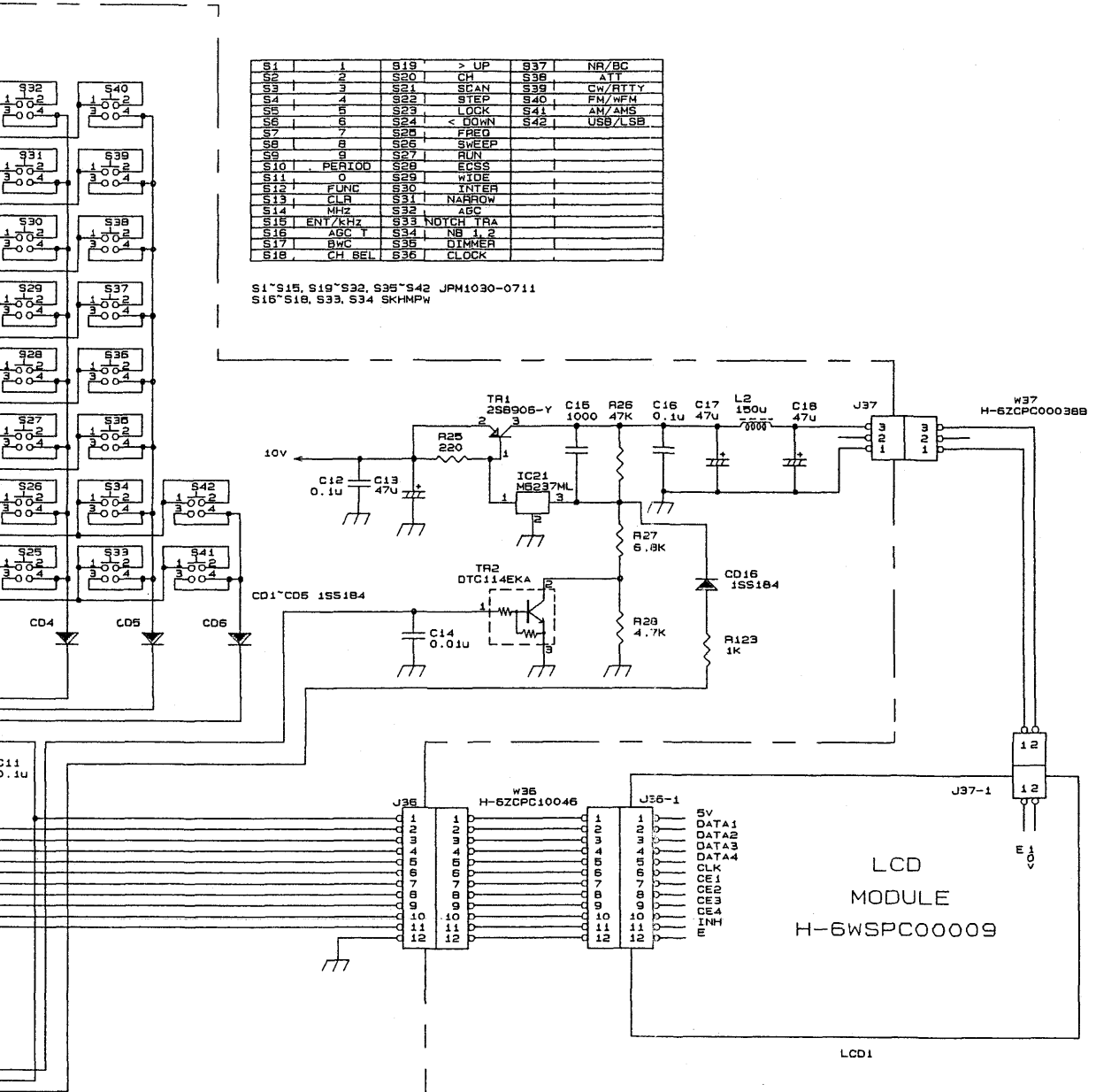
 P-A0
 P-A1
 *PSSEL1
 *PSSEL2
 *NR
 *RD
 RESET
 E

CD7 / NR/BC
 CD8 / NR
 CD9 / NGTCH
 CD10 / FREQ
 CD11 / CH
 CD12 / ECB

R11, R12 390
 R13~R16, R21, R23 180
 R20, R22 0
 R17~R19, R24 120

S1	1	S19	> UP	S37	NR/BC
S2	2	S20	CH	S38	ATT
S3	3	S21	SPAN	S39	CW/RITTY
S4	4	S22	STEP	S40	FN/WFM
S5	5	S23	LOCK	S41	AM/AMS
S6	6	S24	< DOWN	S42	USB/LSB
S7	7	S25	FREQ		
S8	8	S26	SWEEP		
S9	9	S27	RLN		
S10	PERIOD	S28	ECSS		
S11	0	S29	WIDE		
S12	FUNC	S30	INTER		
S13	CLR	S31	NARROW		
S14	MHZ	S32	AGC		
S15	ENT/KHZ	S33	NOTCH TRA		
S16	AGC T	S34	NB 1, 2		
S17	BWC	S35	DIMMER		
S18	CH SEL	S36	CLOCK		

S1~S15, S19~S32, S35~S42 JPM1030-0711
 S16~S18, S33, S34 SKHMPH



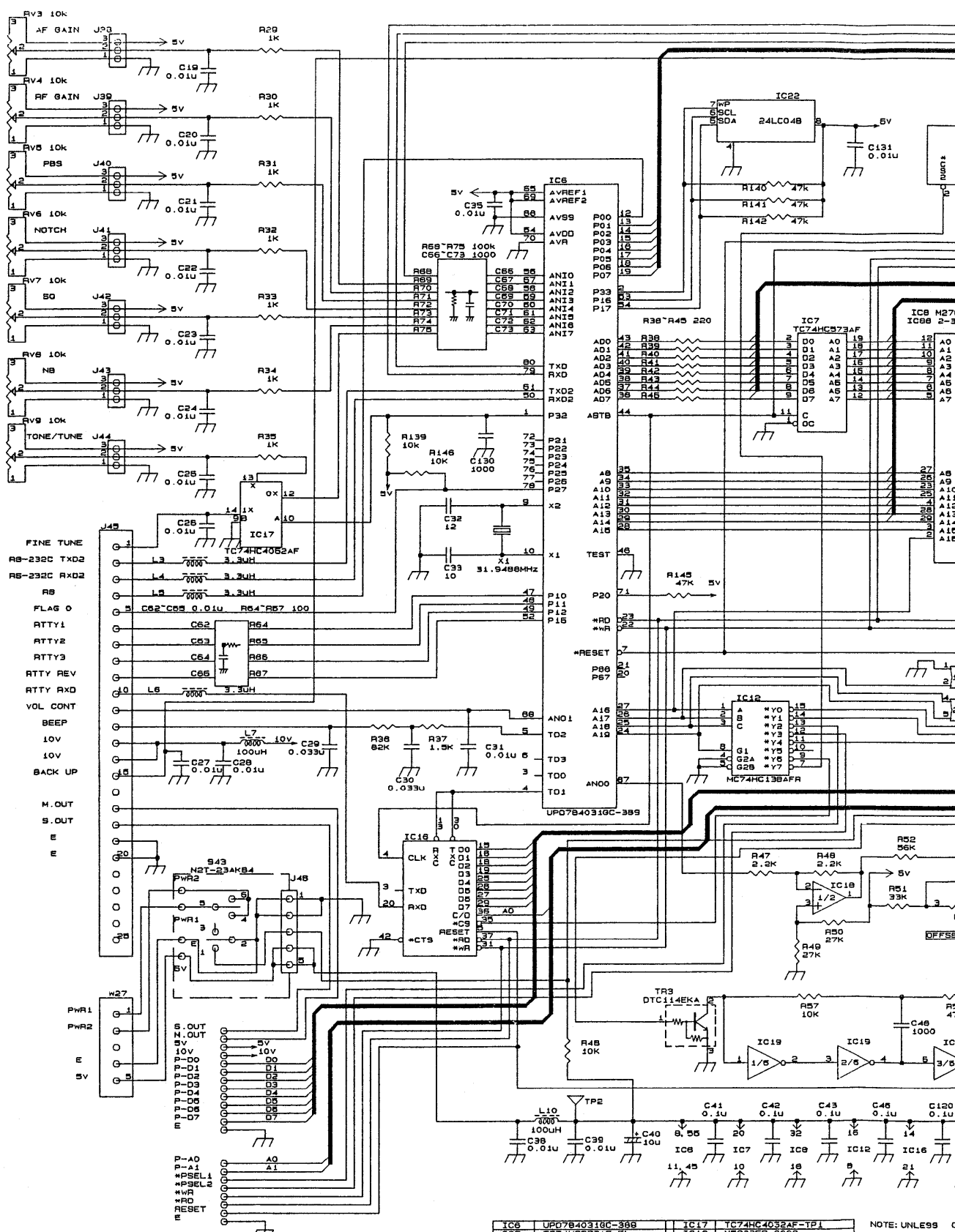
NOTE: UNLESS OTHERWISE SPECIFIED;
 -RESISTANCE VALUES ARE IN Ω, .1/10W
 -CAPACITANCE VALUES ARE IN pF.

CD13	AGCT
CD14	BWC
CD15	LOCK
CD22	SG

IC1	H-6DDJ000024
IC2	H-6DDJ000023
IC3	M55315FP
IC4	TC45584F-TE85L
IC5	TC45584F-TE85L
IC21	M5237ML

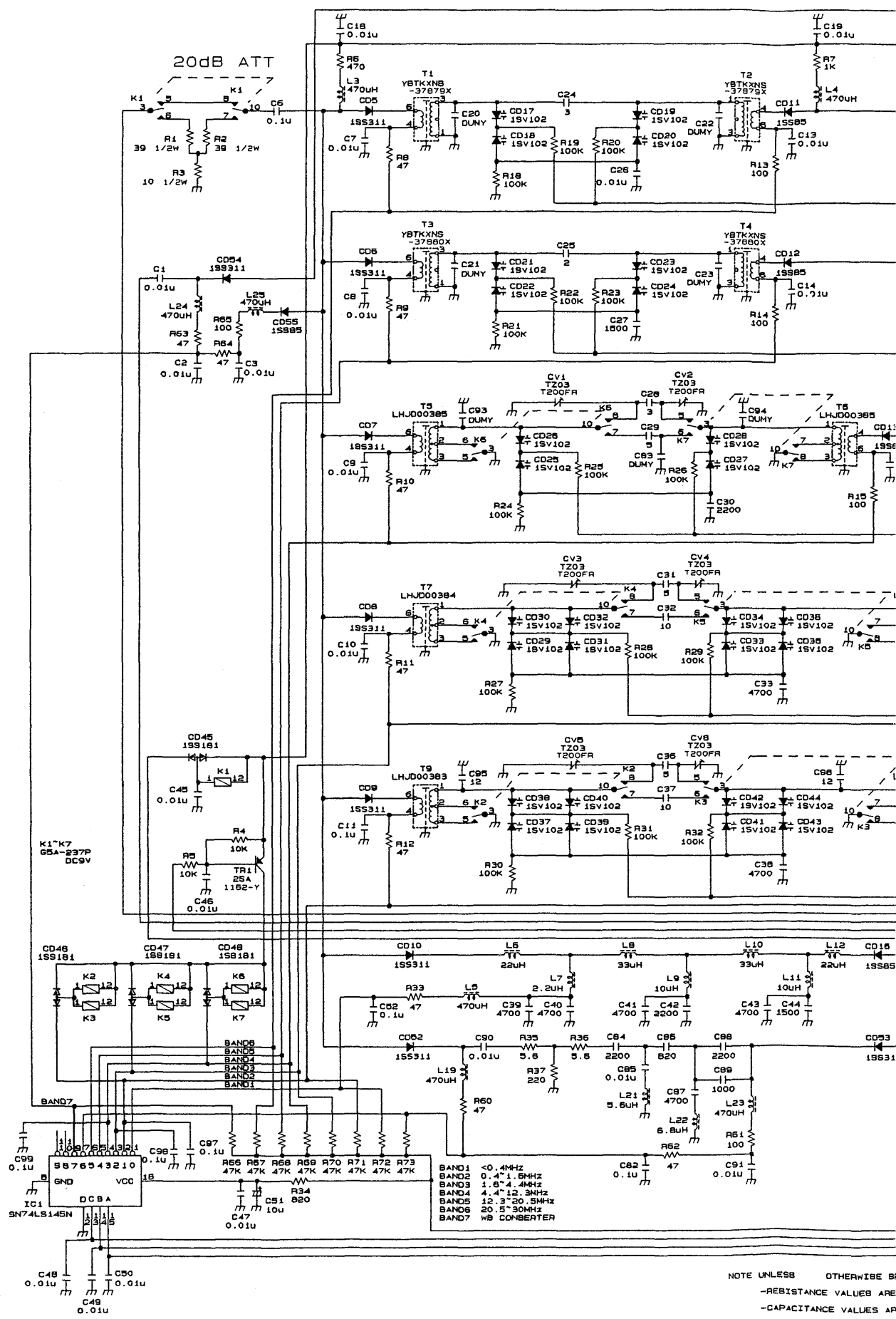
1, 14 LN2162C13 (GREEN, RED)
 2, 22 LN1361C (GREEN)
 LN1261C (RED)

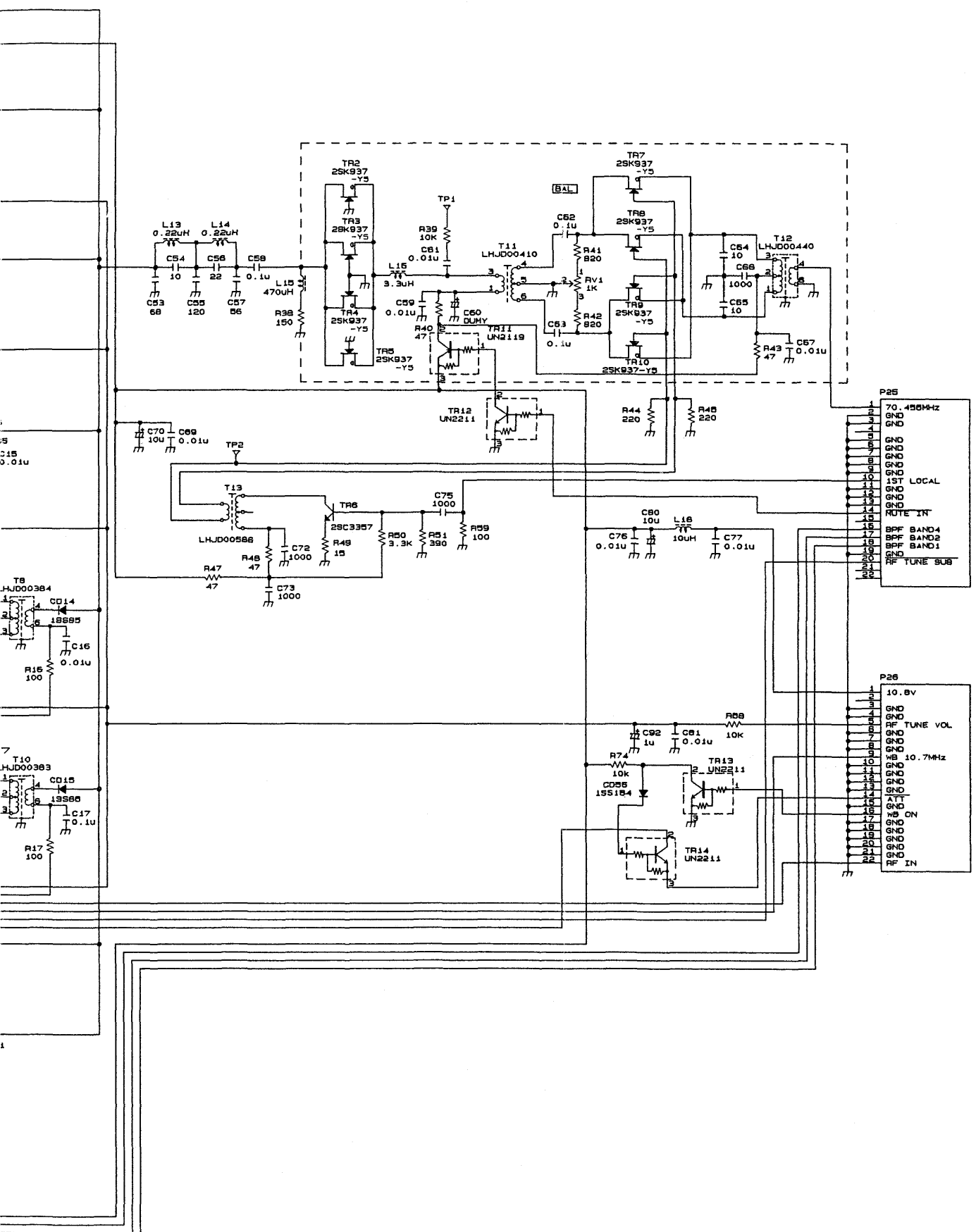
PC1 H-7PCPC0056



IC6	UPO7B40316C-389	IC17	TC74HC4632AF-TP1
IC7	TC74HC373AF-EL	IC18	M5233PP-800C
IC8	M27C012-12F1	IC19	TC74HC04AF (EL)
IC9	M27C012-12F1	IC20	10B2083F
IC10	M27C012-12F1	IC21	24LC04B-T-5N
IC11	TC4566F	IC22	M19B38PP
IC12	MC74HC138JFR	IC23	TC48584F-TE8EL
IC13	H-600J000024	IC24	TC48584F-TE8EL
IC14	H-600J000024	IC25	TC74HC32AF
IC15	H-600J000024		
IC16	UPD7105168-384		

NOTE: UNLESS OTHERWISE SPECIFIED
 -RESISTANCE IN OHMS
 -CAPACITANCE IN PICO FARADS
 PC1 H-7PCPC005

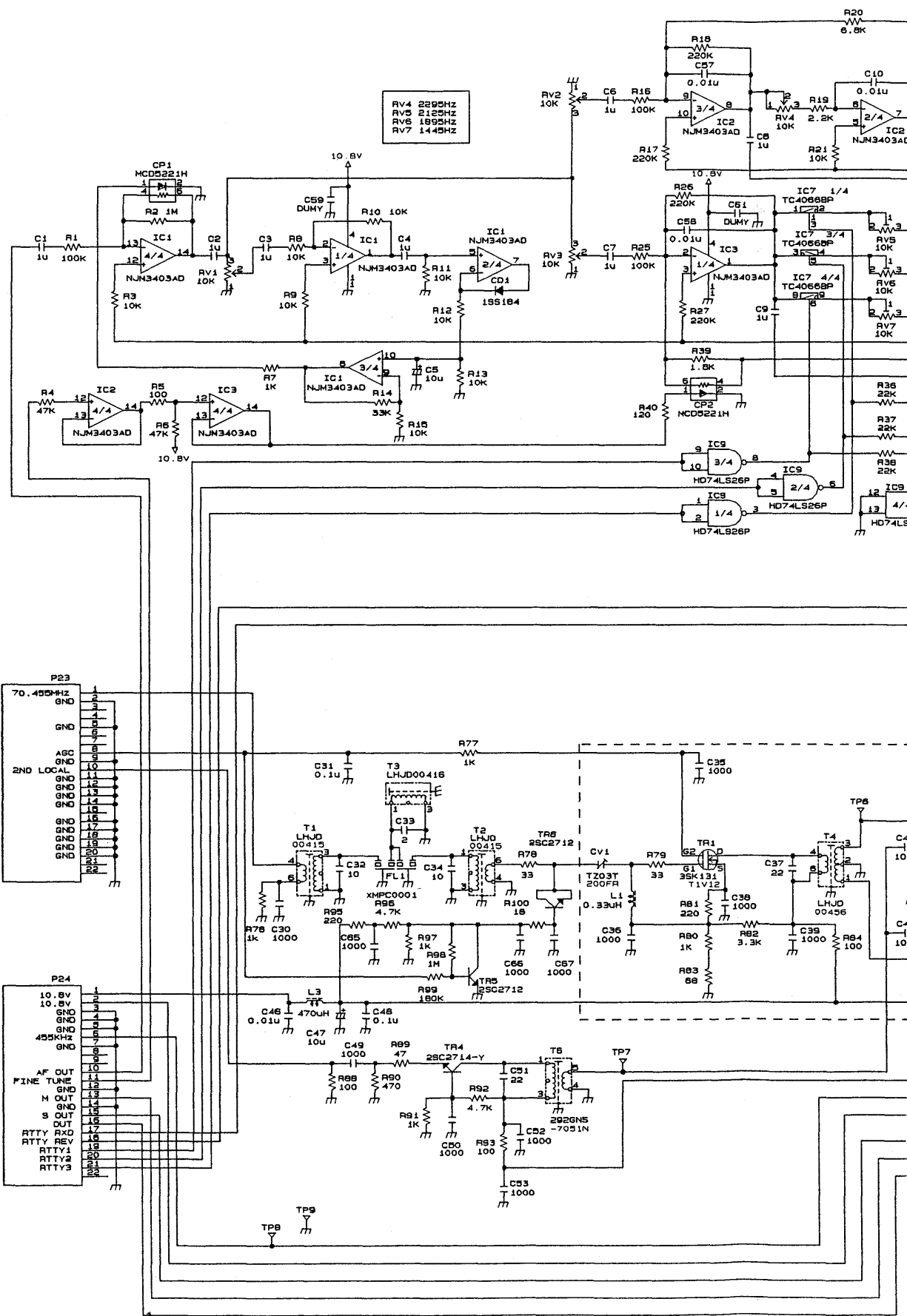


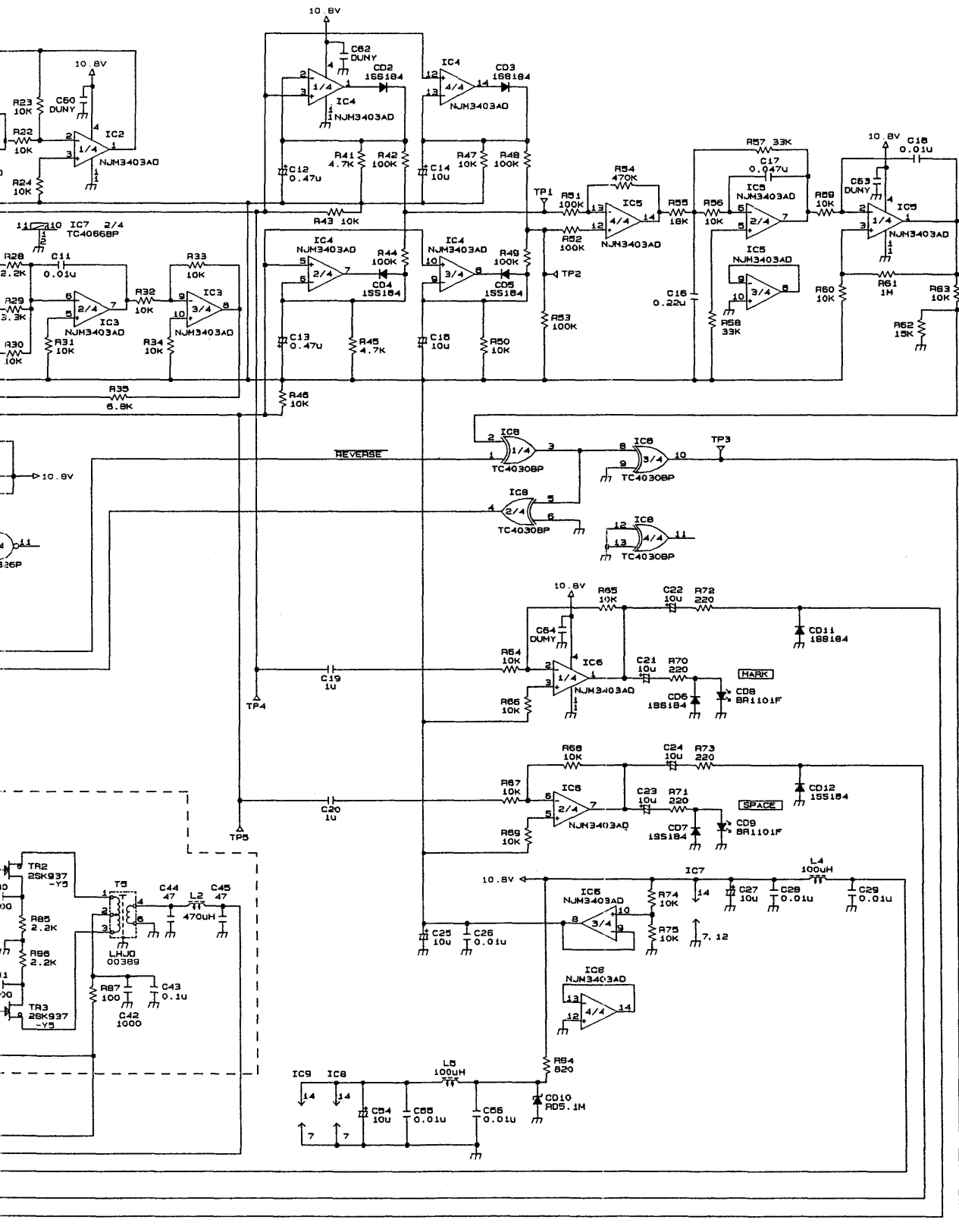


SPECIFIED
 IN Ω 1/10W
 E IN pF

CFL-356

RF TUNE UNIT





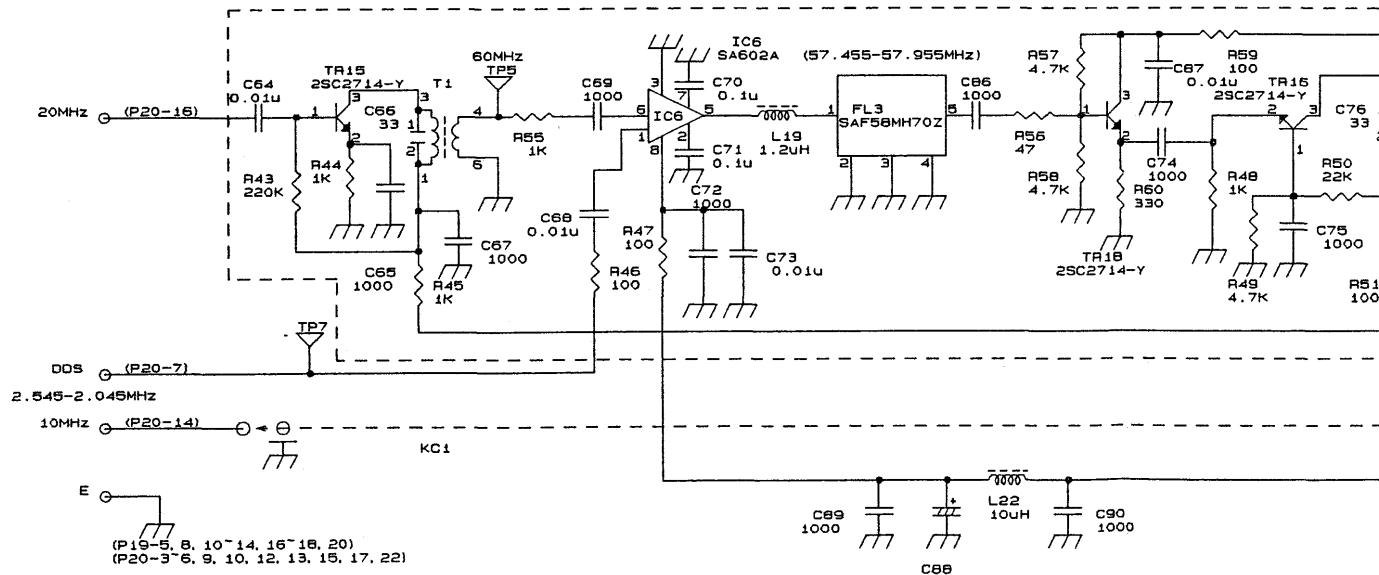
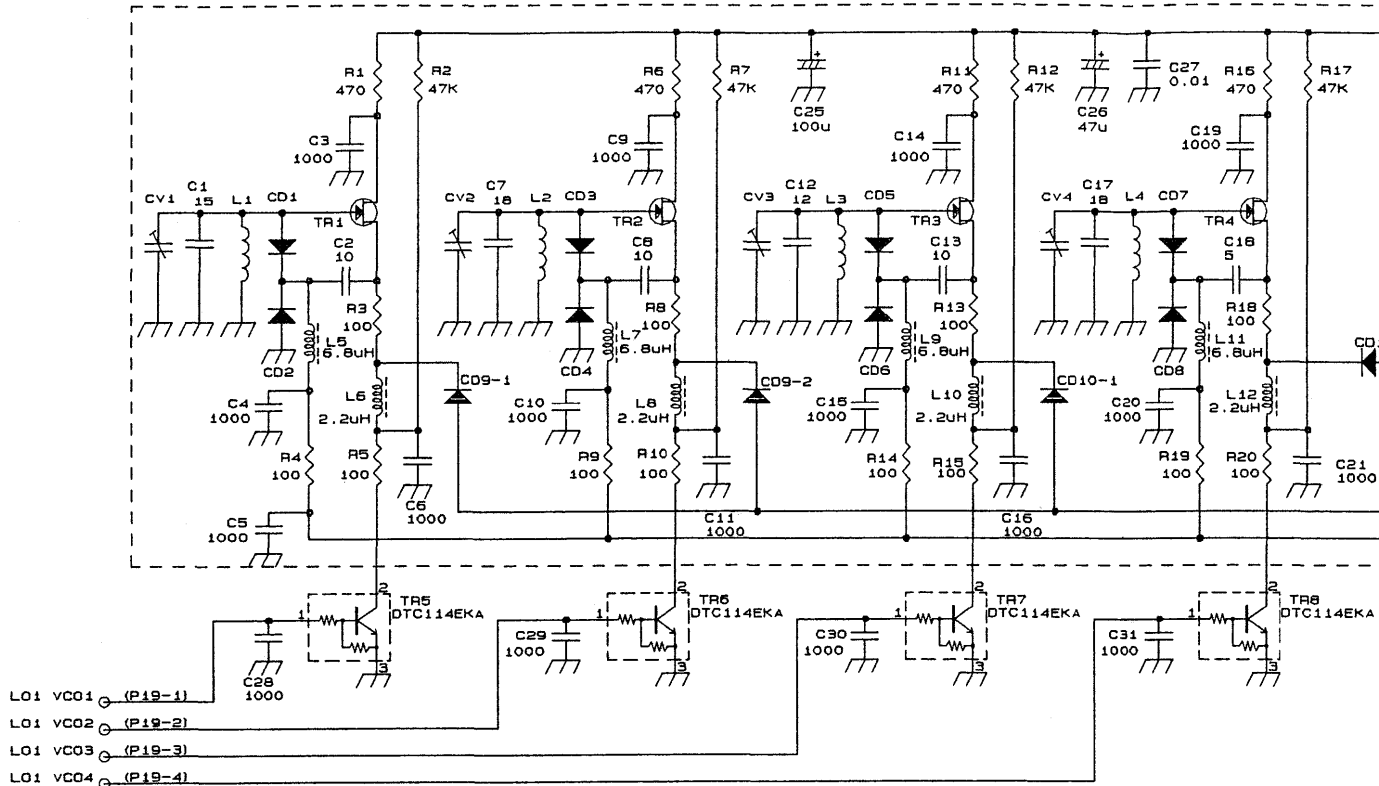
NOTE: UNLESS OTHERWISE SPECIFIED
 -RESISTANCE VALUES ARE IN Ω 1/10W
 -CAPACITANCE VALUES ARE IN pF

PC1 H-7PCPC0051

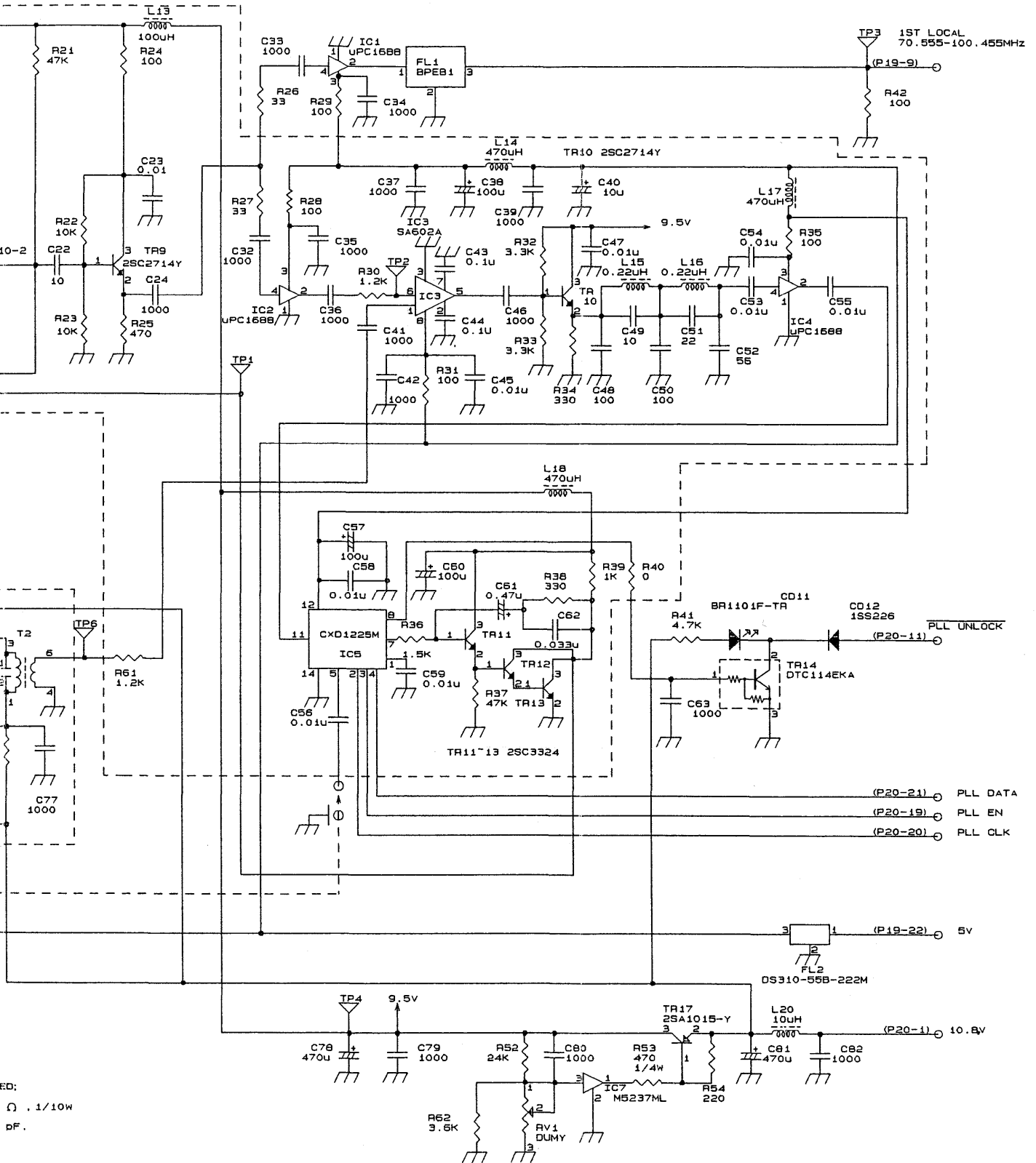
CFH-71

1ST IF UNIT

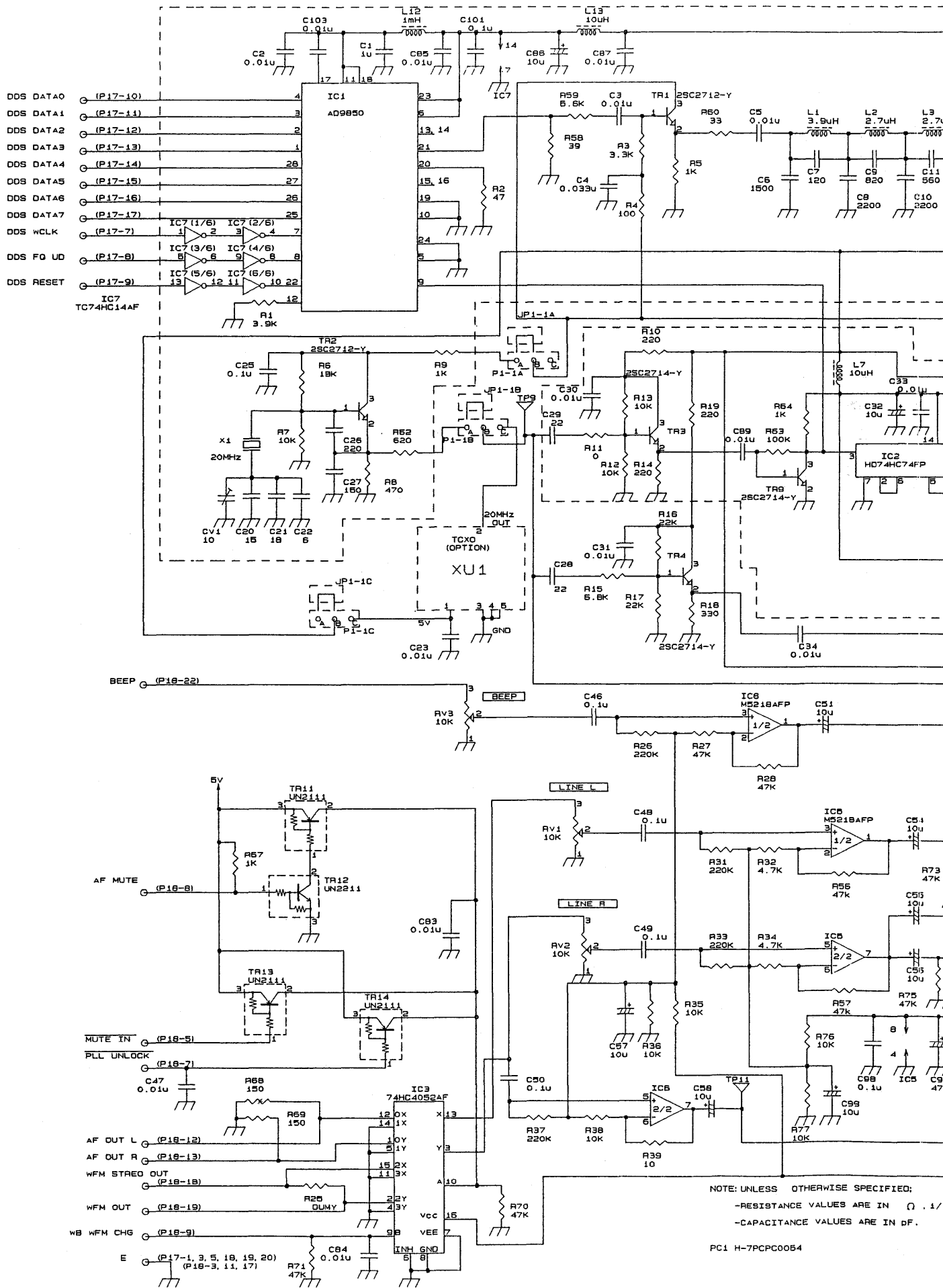
CD1~CD8 MA366
 CD9~CD10 HSM2694
 CV1~CV4 TZO3Z100FR
 TR1~TR4 2SK210BL

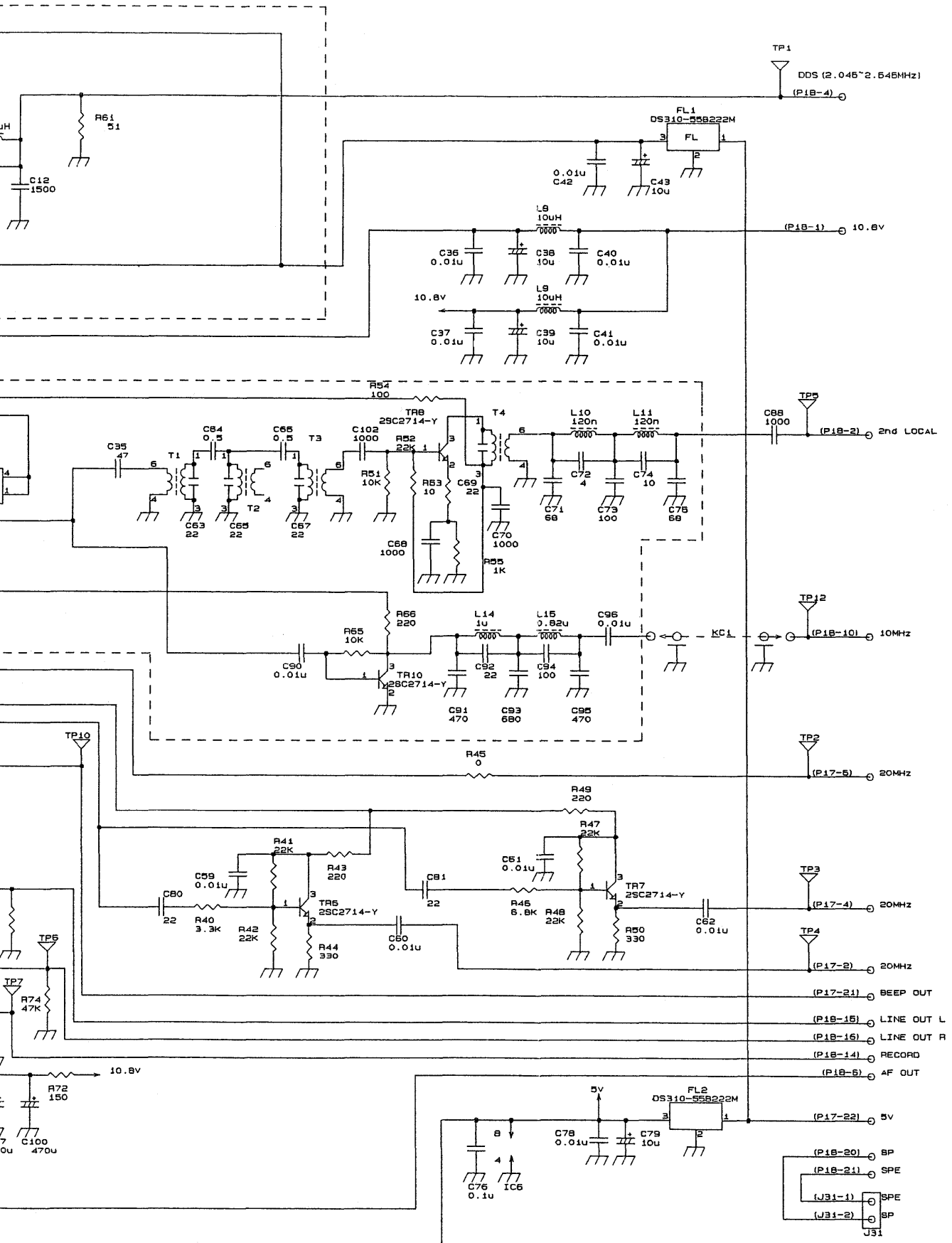


NOTE: UNLESS OTHERWISE SPECIFIED
 -RESISTANCE VALUES ARE IN
 -CAPACITANCE VALUES ARE IN
 PC1 H-7PCPC0053



CGA-184

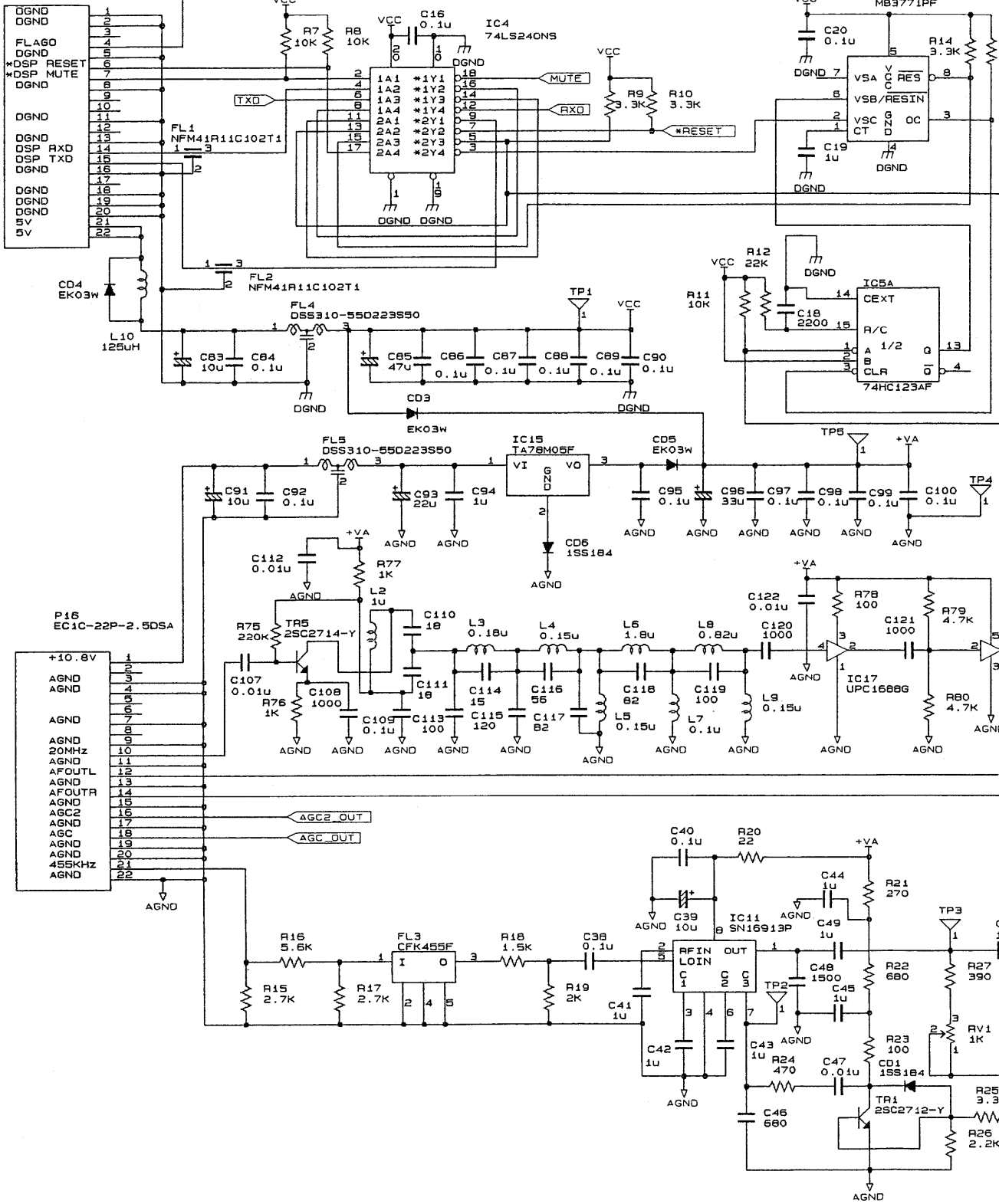


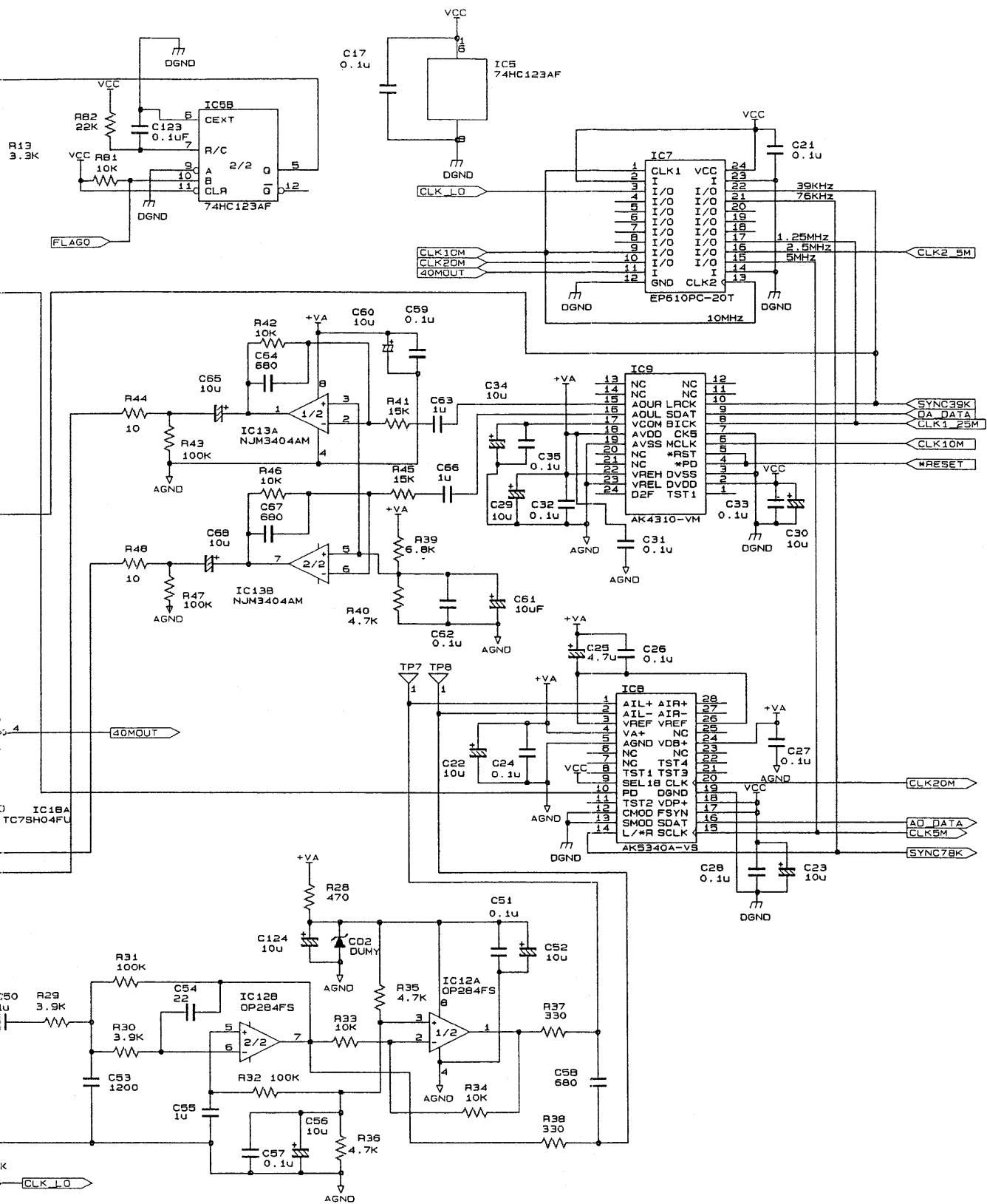


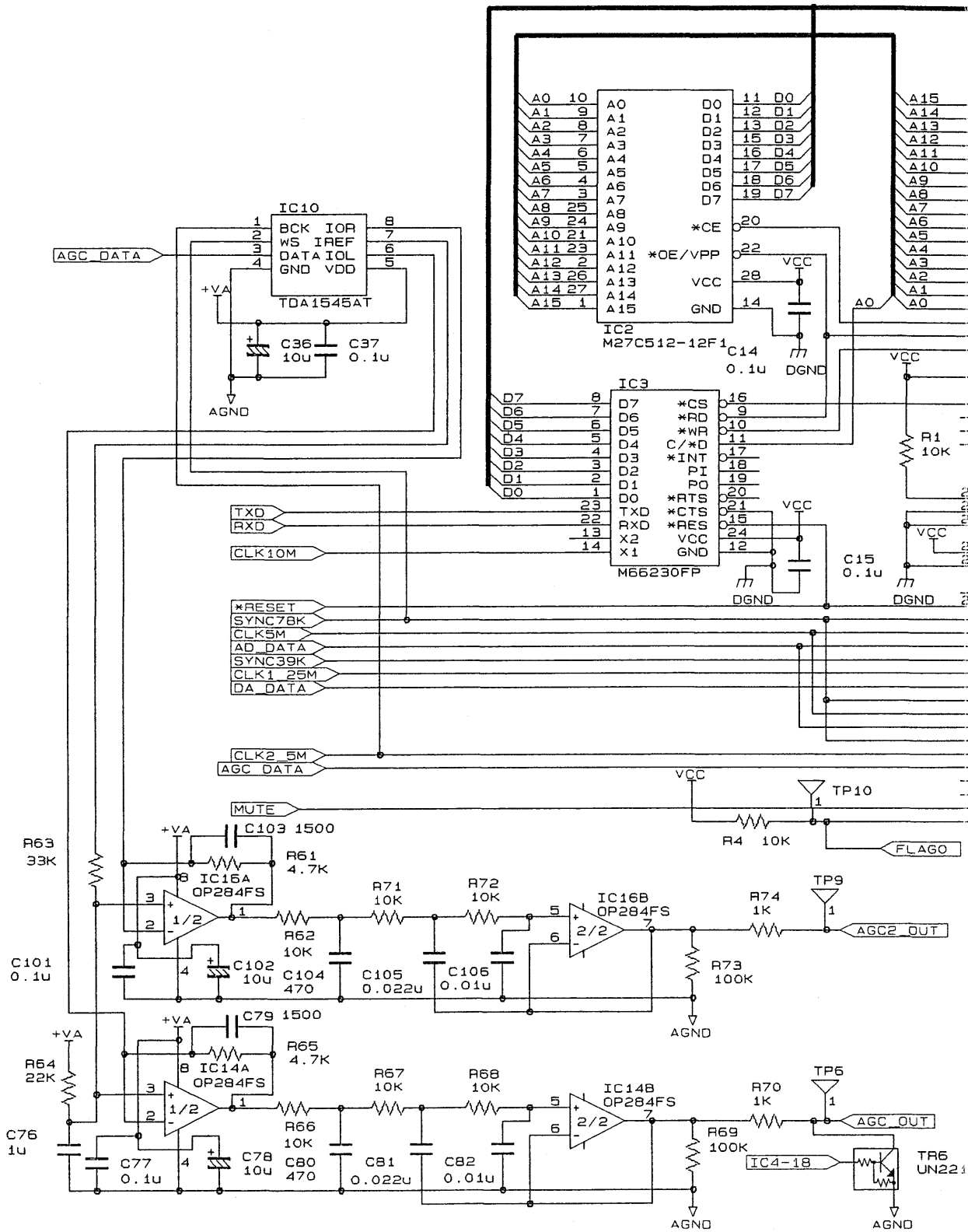
CGK-160

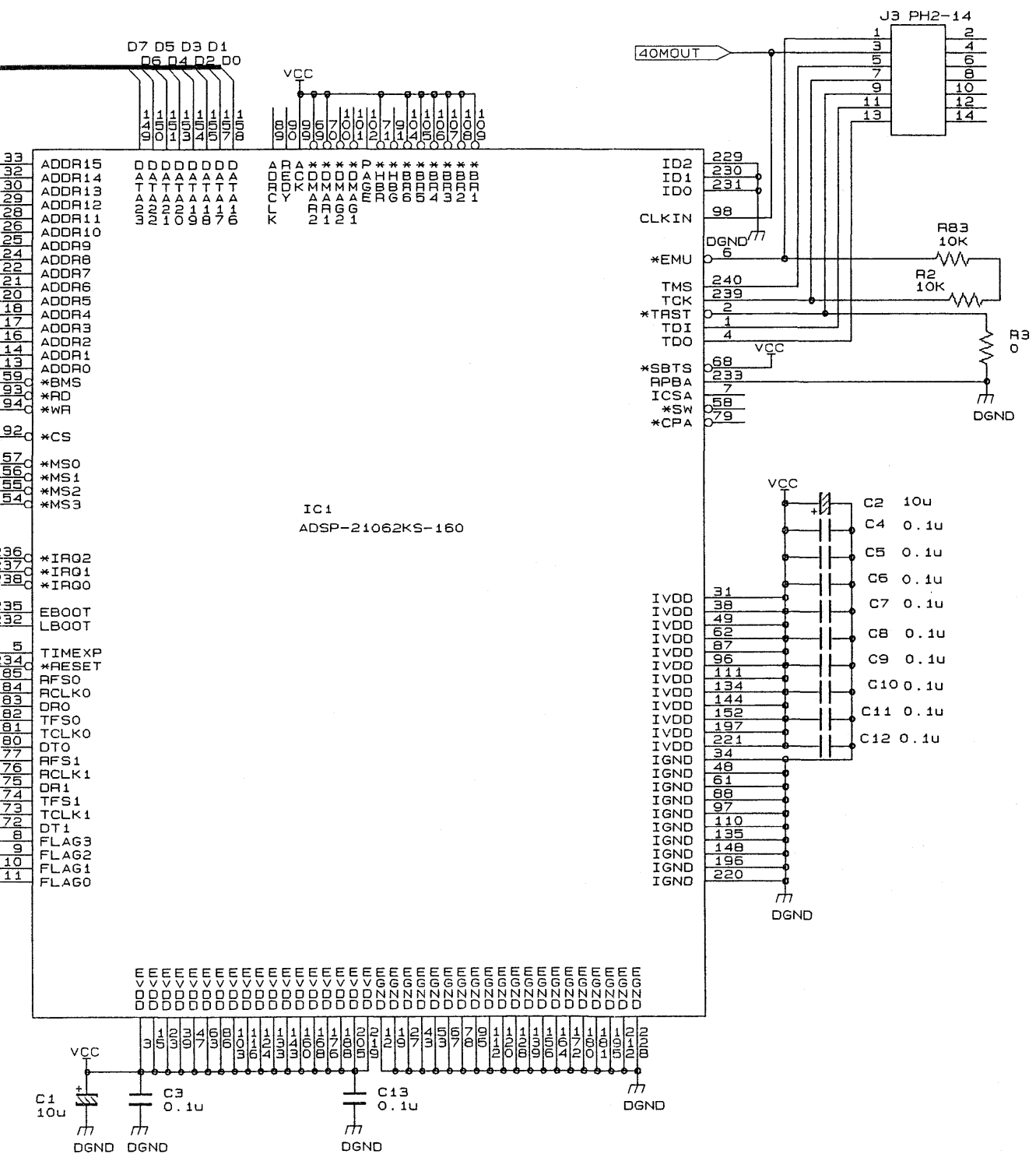
REF/DDS UNIT

P15
EC1C-22P-2.50SA



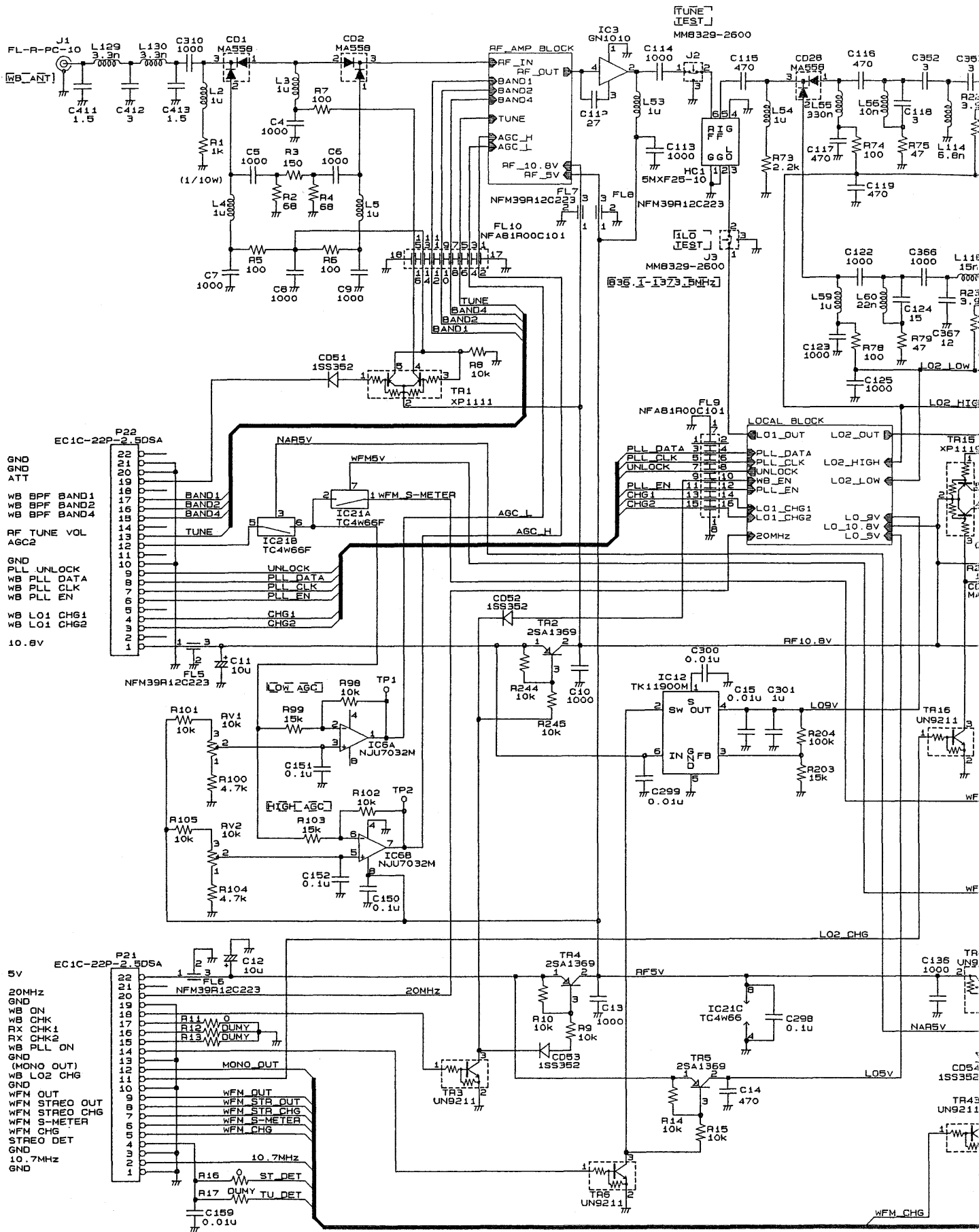






CDA-752

DSP UNIT (2/2)



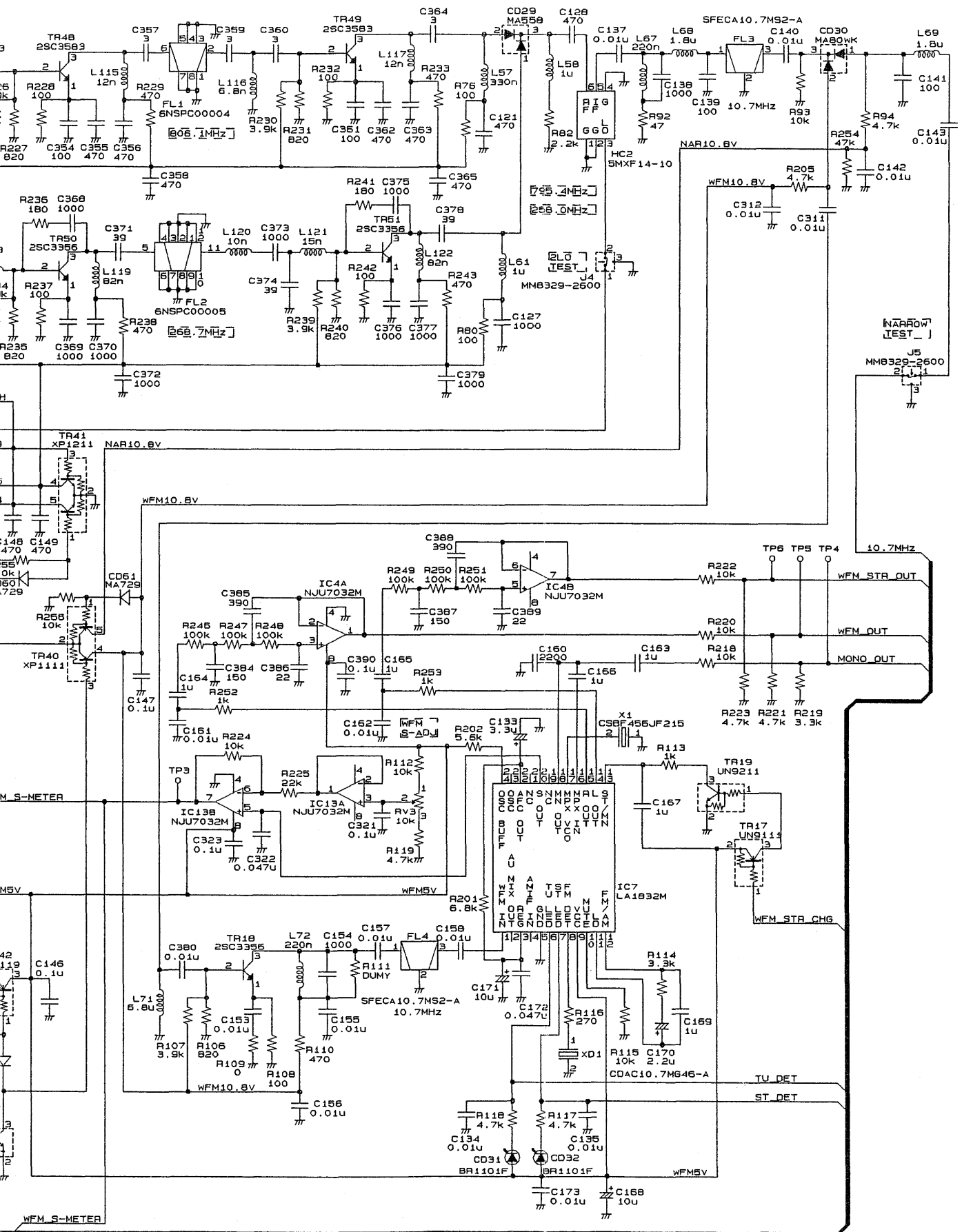
NOTE: Unless otherwise specified:

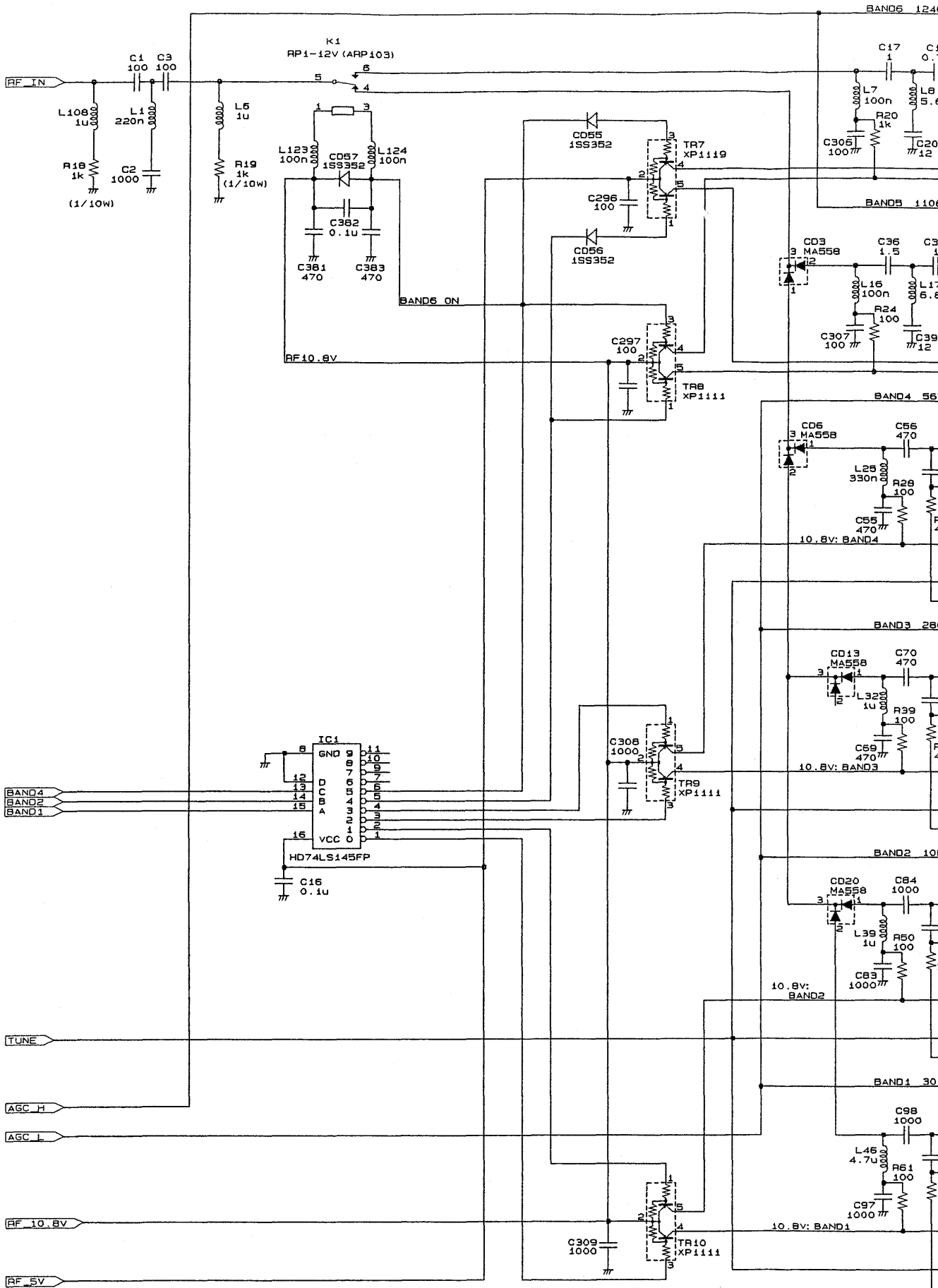
-Capacitance values are in pF.

-Inductance values are in H.

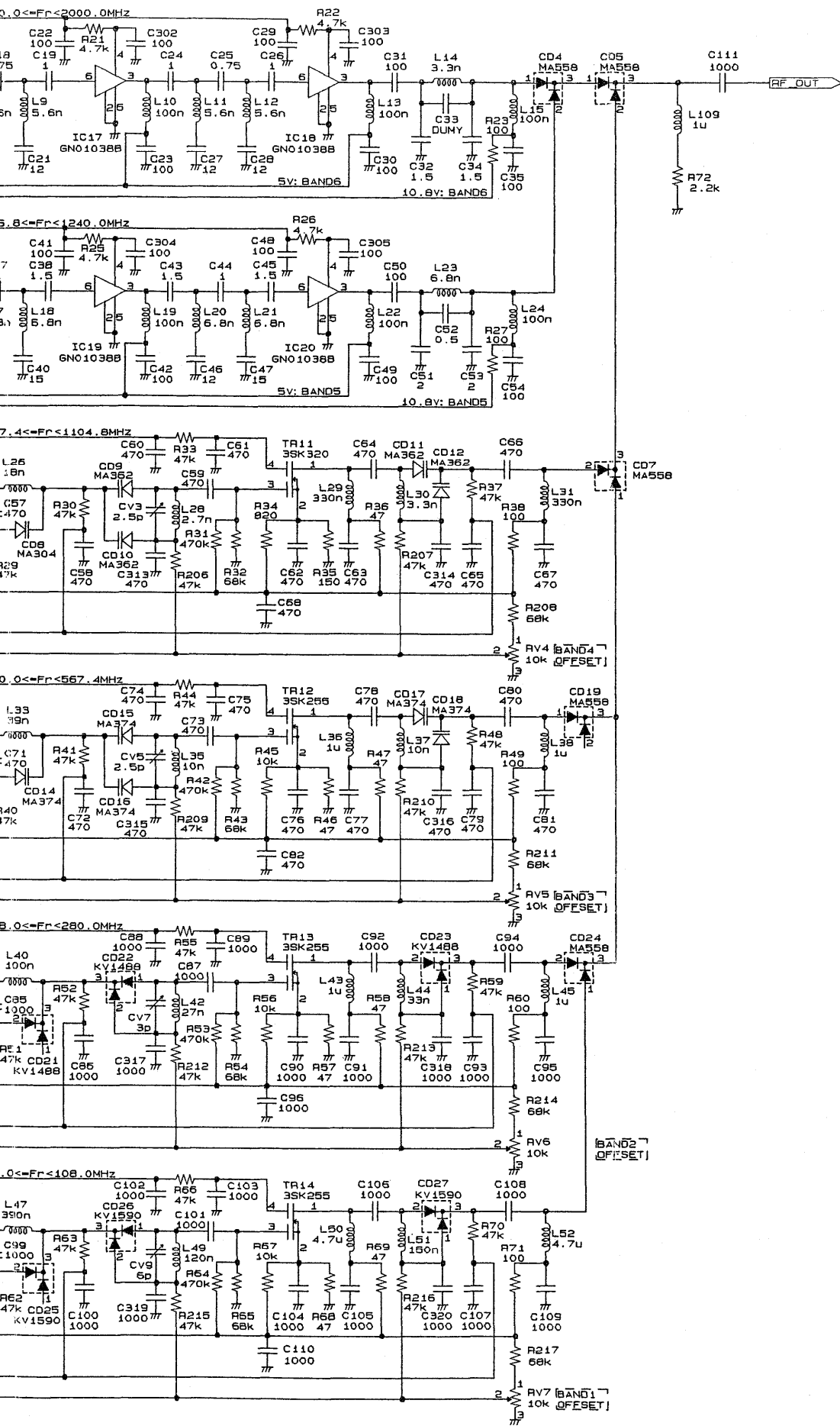
-Resistance values are in Ω. (1/16W)

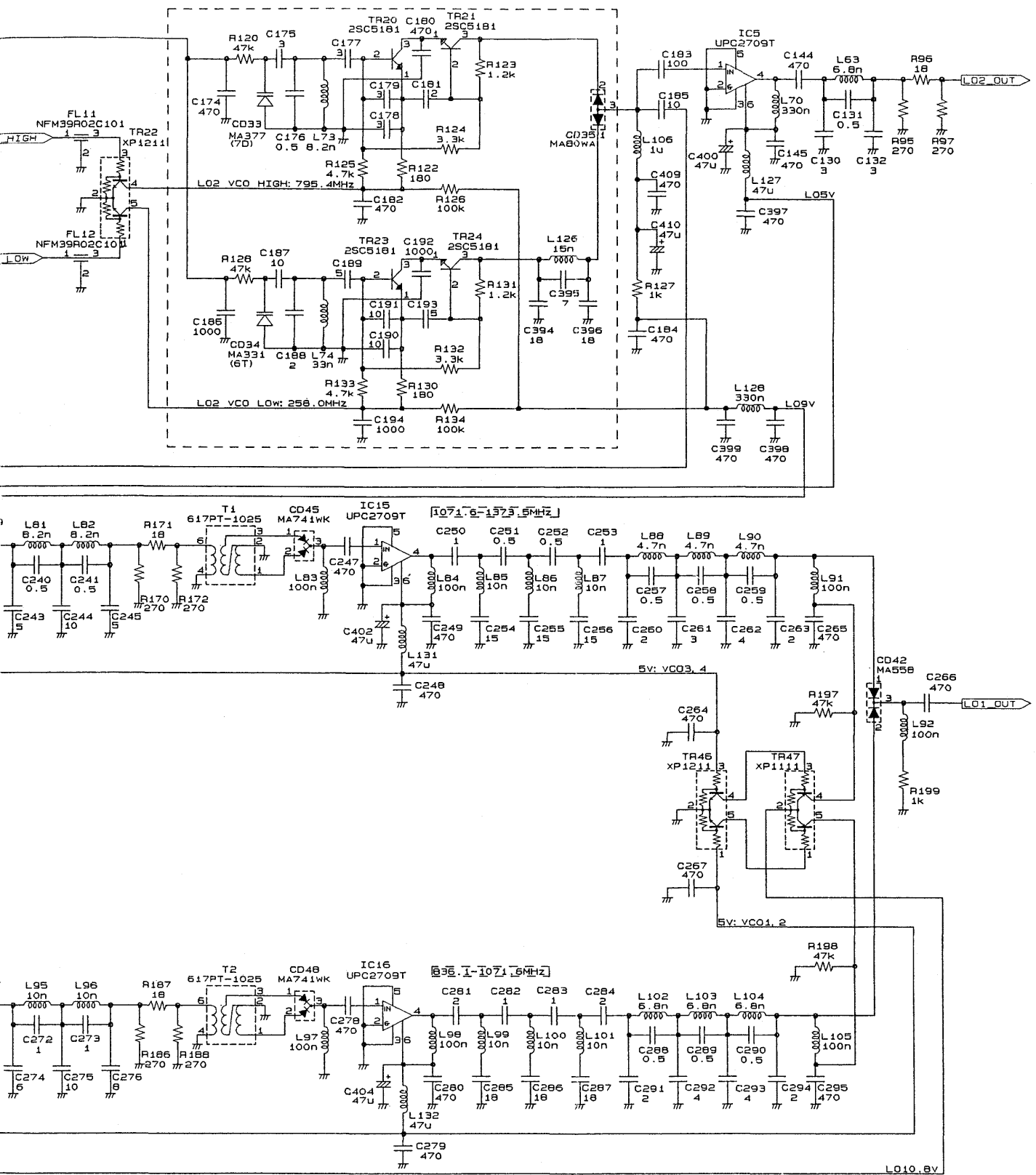
PCI 7PCPC0052A





NOTE: Unless otherwise specified;
 -Capacitance values are in pF.
 -Inductance values are in H.
 -Resistance values are in Ω. (1/16W)





VCO SELECT TABLE

CHG2	CHG1	ON	VCO
HI-Z	HI-Z	NO4	VCO
HI-Z	LO	NO3	VCO
LO	HI-Z	NO2	VCO
LO	LO	NO1	VCO

NOTE: Unless otherwise specified:
 -Capacitance values are in pF.
 -Inductance values are in H.
 -Resistance values are in Ω. (1/16W)