

MODEL NRD-545

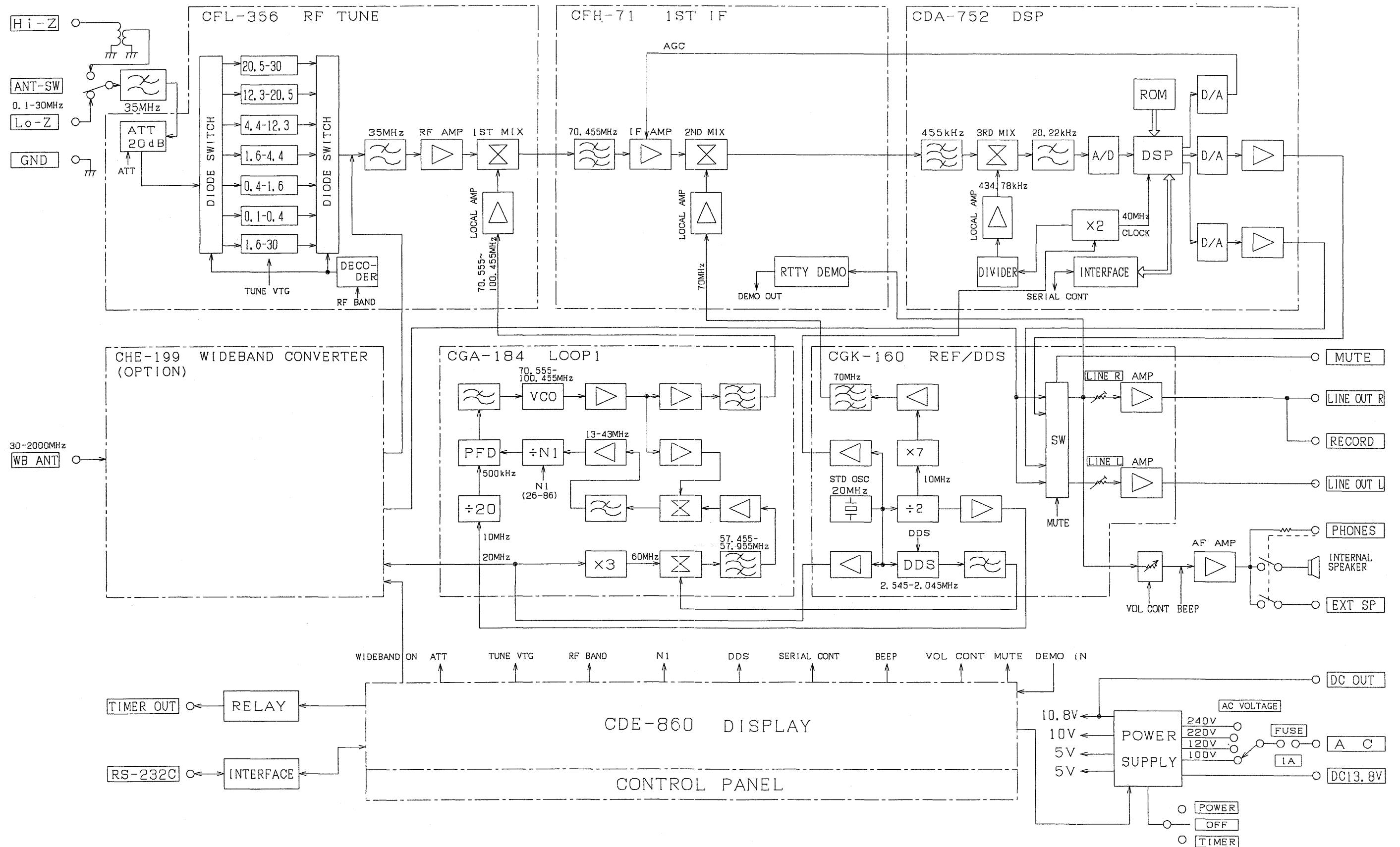
SERVICE MANUAL

JRC *Japan Radio Co., Ltd.*

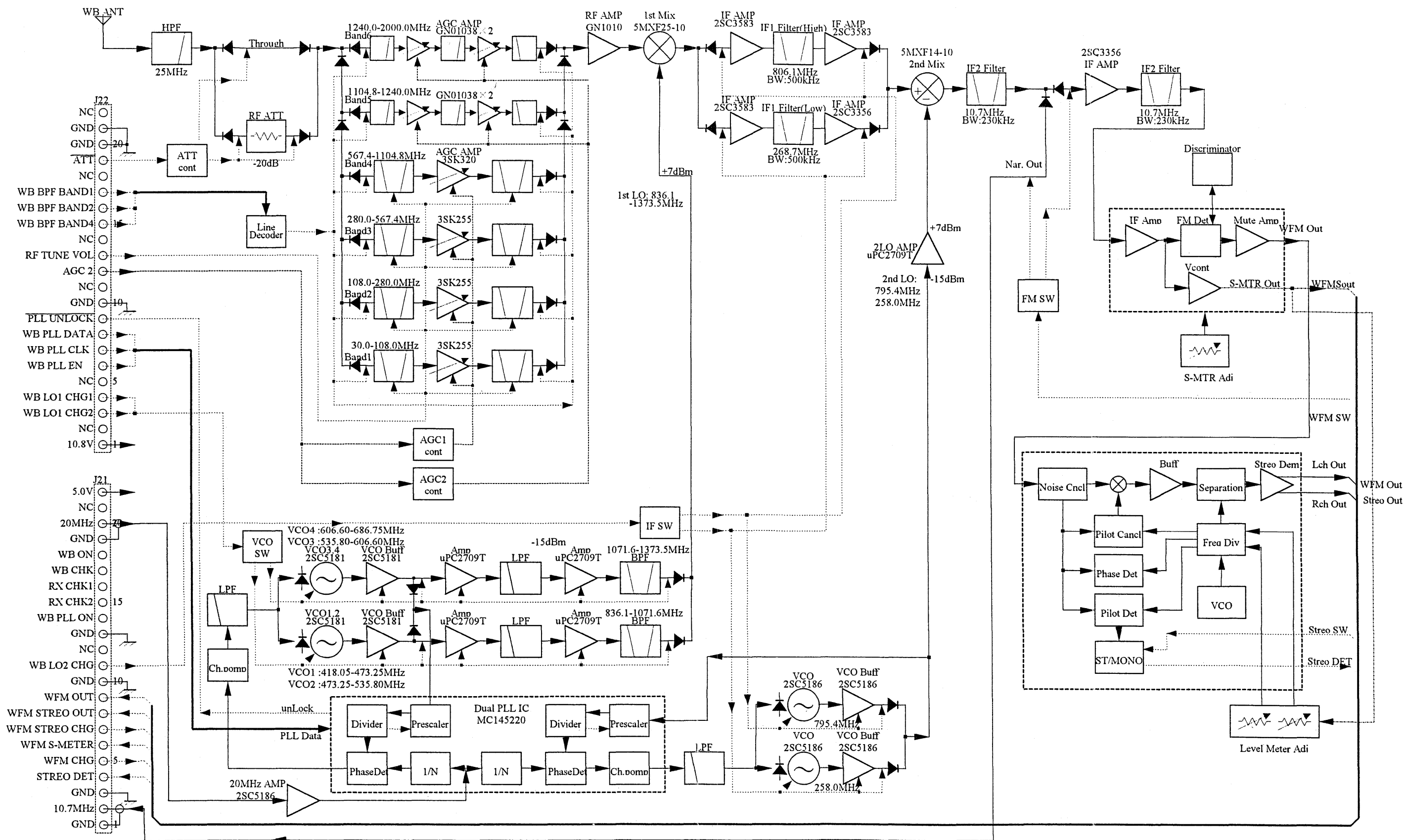


DSP RECEIVER

5. BLOCK DIAGRAM

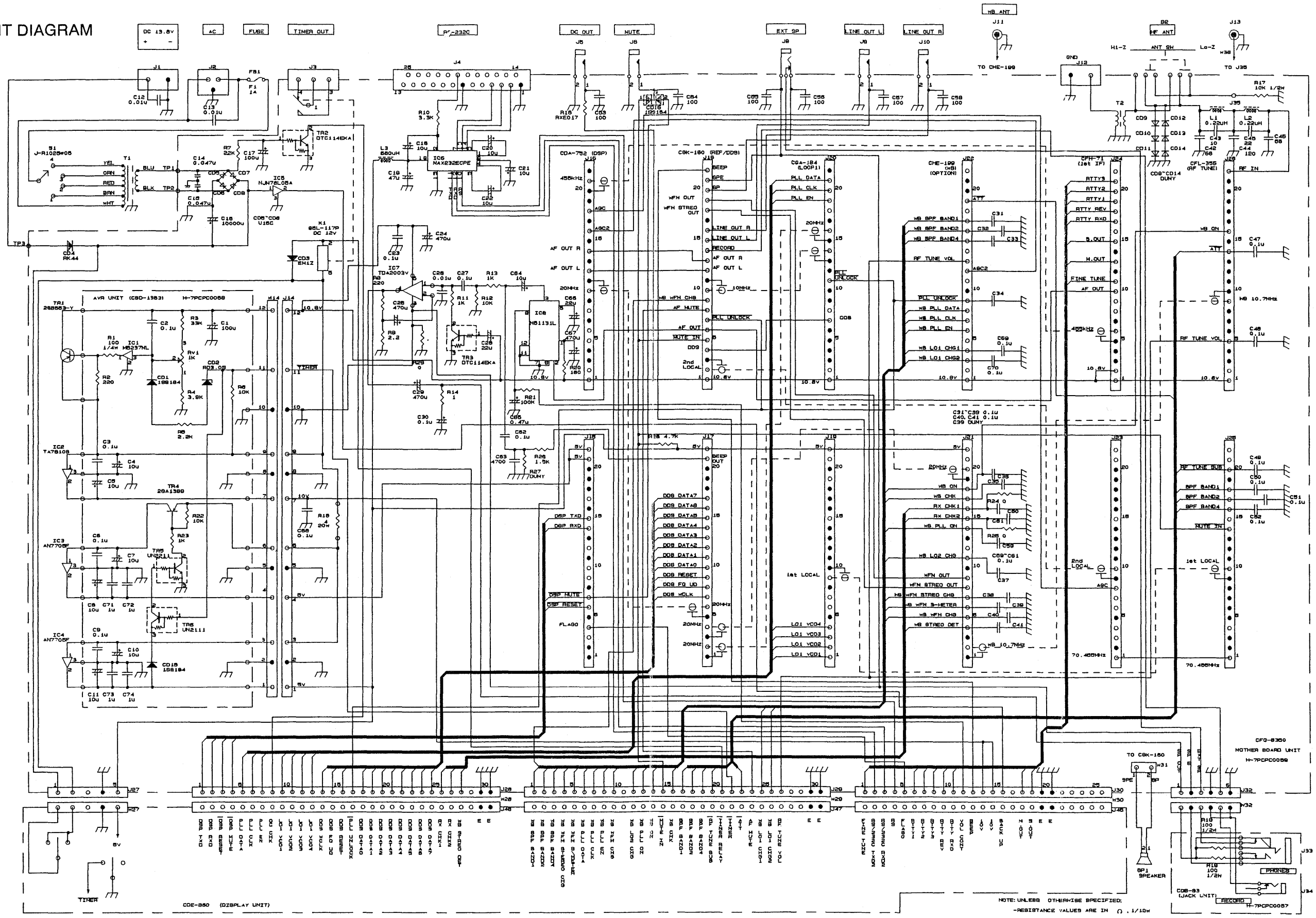


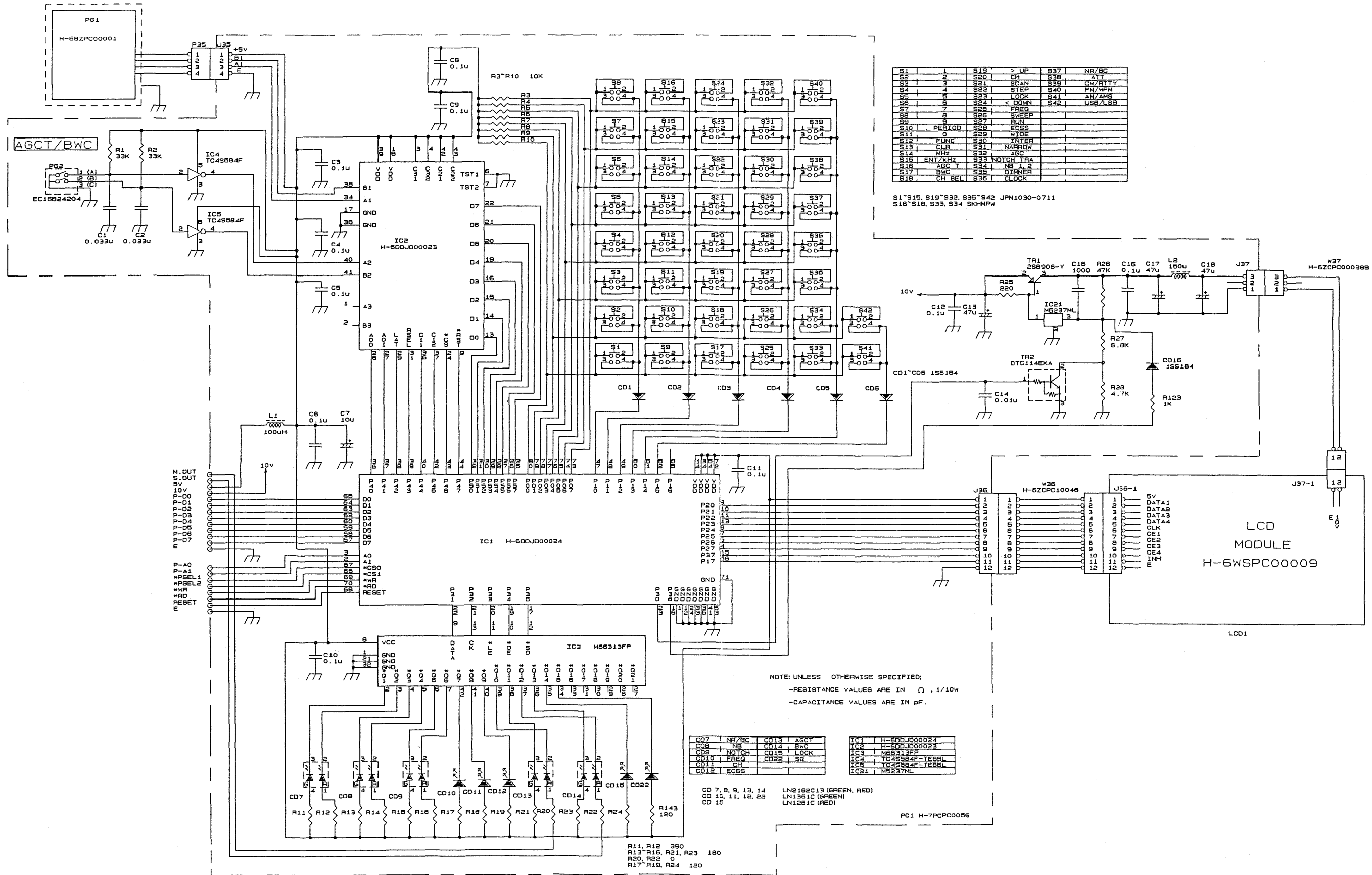
CHE-199 Wideband Converter Unit Blockdiagram



9. CIRCUIT DIAGRAM AND PCBLAYOUT

9-1 CIRCUIT DIAGRAM





S1	1	S19	> UP	S37	NR/BC
S2	2	S20	CH	S38	ATT
S3	3	S21	SCAN	S39	CV/RTTY
S4	4	S22	STEP	S40	PN/WFM
S5	5	S23	LOCK	S41	AN/AMS
S6	6	S24	< DOWN	S42	USB/LSB
S7	7	S25	FREQ		
S8	8	S26	SWEEP		
S9	9	S27	RUN		
S10	PERIOD	S28	EQSS		
S11	0	S29	WIDE		
S12	FUNC	S30	INTER		
S13	CLR	S31	NARROW		
S14	MHZ	S32	ASC		
S15	ENT/KHZ	S33	NOTCH THA		
S16	AGC T	S34	NR 1, 2		
S17	BWC	S35	DIMMER		
S18	CH SEL	S36	CLOCK		

S1~S15, S19~S22, S25~S42 JPM1030-0711
 S16~S18, S33, S34 SKHMPH

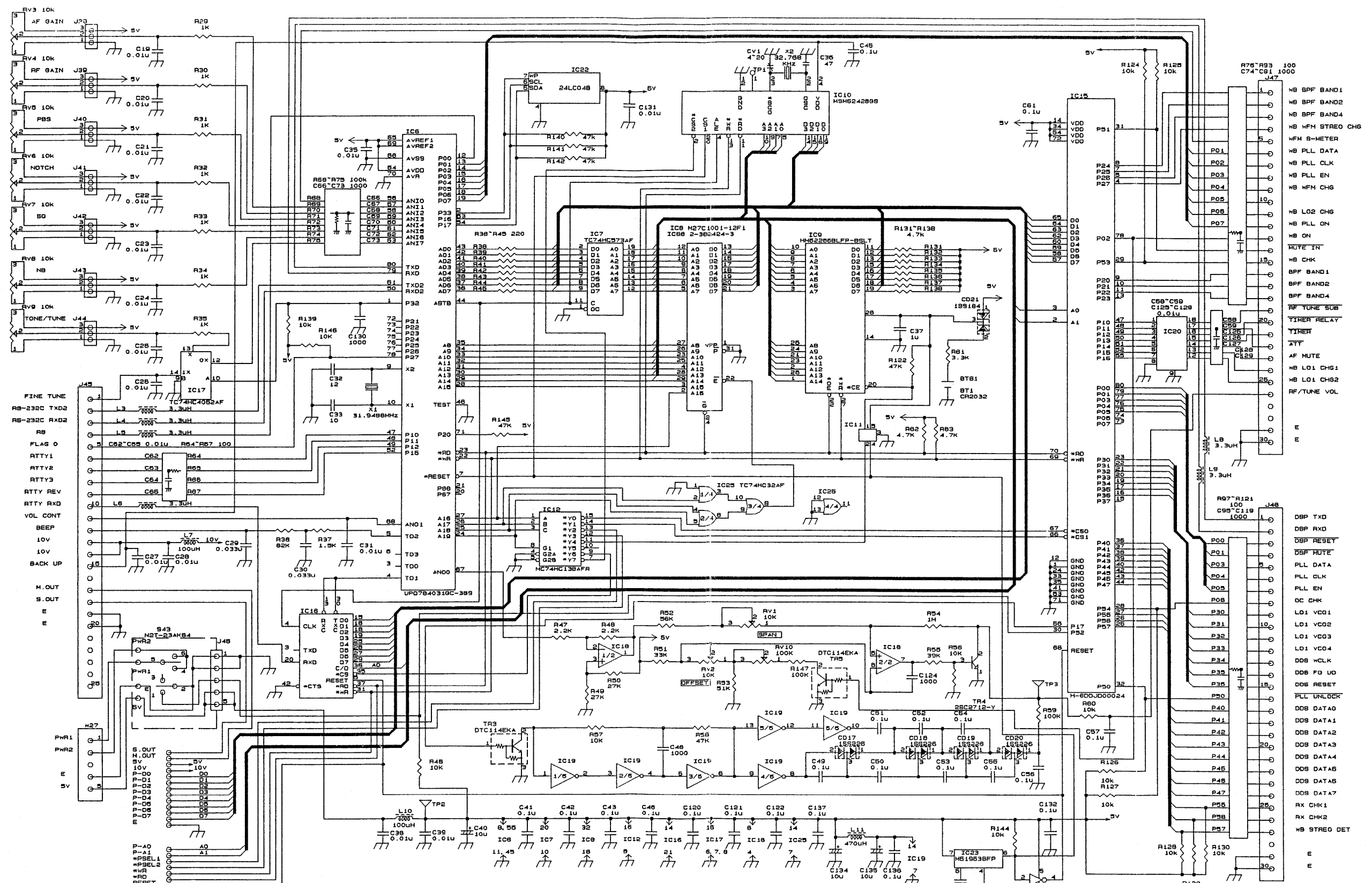
NOTE: UNLESS OTHERWISE SPECIFIED;
 -RESISTANCE VALUES ARE IN Ω, 1/10W
 -CAPACITANCE VALUES ARE IN pF.

CD7	NR/BC	CD13	AGCT	IC1	H-800J00024
CD8	NB	CD14	BWC	IC2	H-800J00023
CD9	NOTCH	CD15	LOCK	IC3	M66313FP
CD10	FREQ	CD22	SG	IC4	TC45584F-TE88L
CD11	CH			IC5	TC45584F-TE88L
CD12	ECBS			IC21	M2237NL

CD 7, 8, 9, 13, 14 LN2162C13 (GREEN, RED)
 CD 10, 11, 12, 22 LN1361C (GREEN)
 CD 15 LN1261C (RED)

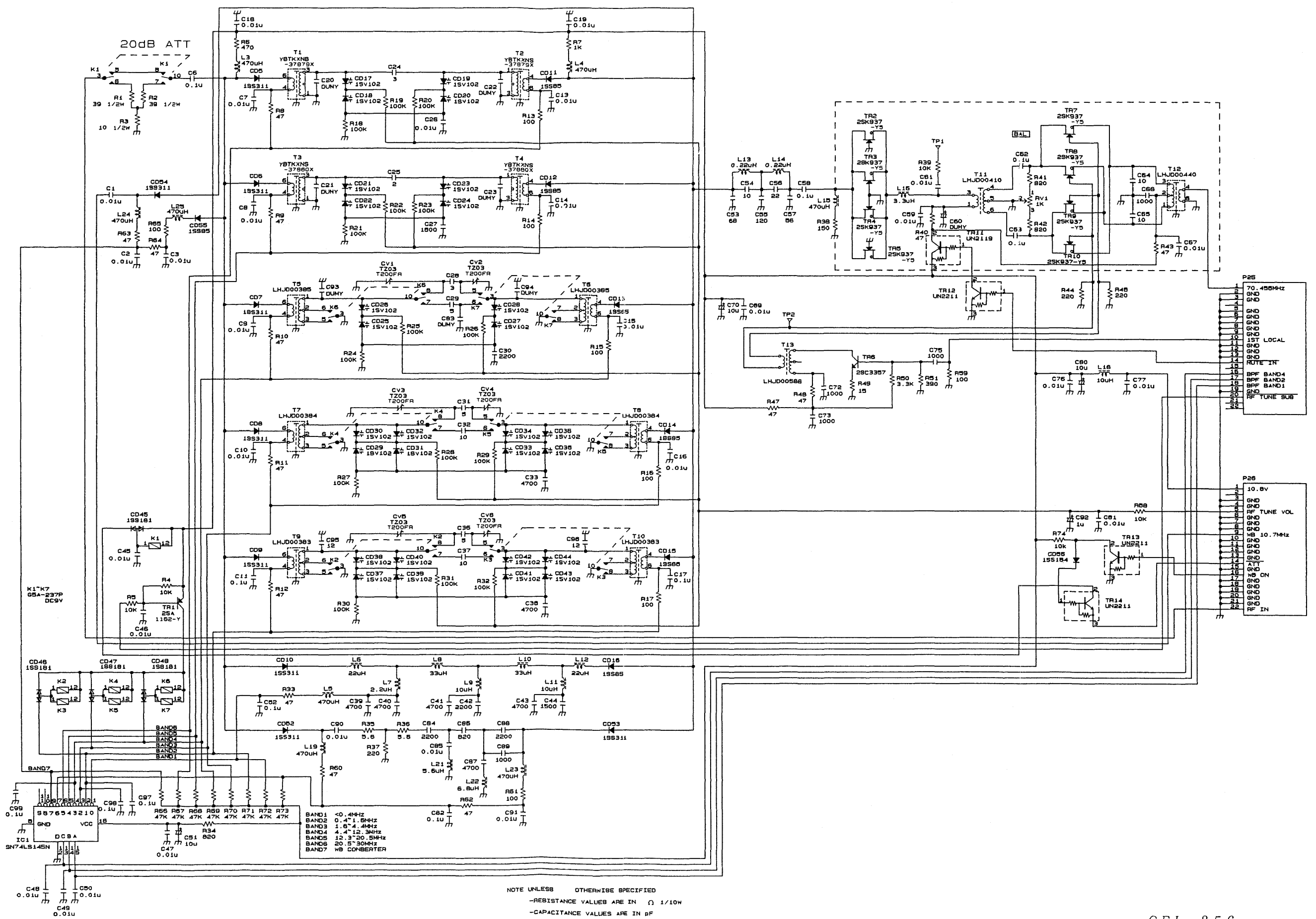
R11, R12 390
 R13~R15, R21, R23 180
 R20, R22 0
 R17~R19, R24 120

PC1 H-7PCPC0056



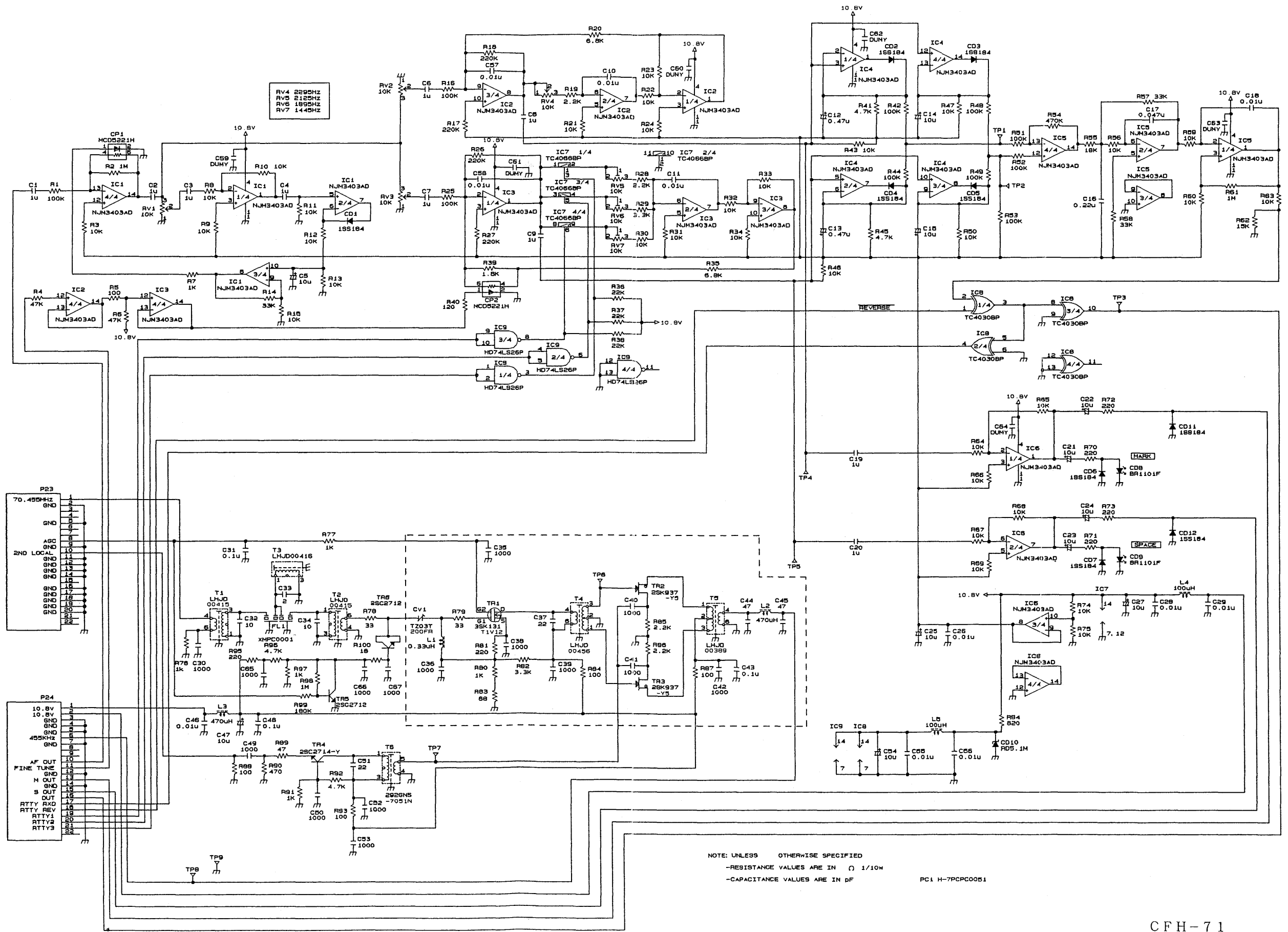
IC6	UPO784031GC-389	IC17	74HC138-EL
IC7	74HC138-EL	IC18	74HC193
IC8	M27C12-12F1	IC19	74HC193
IC9	MM52256BFP-B5LT	IC20	74HC193
IC10	MM52256BFP-B5LT	IC21	74HC193
IC11	74HC193	IC22	24LC04B
IC12	74HC193	IC23	74HC193
IC13	74HC193	IC24	74HC193
IC14	74HC193	IC25	74HC193
IC15	74HC193	IC26	74HC193
IC16	74HC193	IC27	74HC193

NOTE: UNLESS OTHERWISE SPECIFIED;
 -RESISTANCE VALUES ARE IN () .1/10W
 -CAPACITANCE VALUES ARE IN PF.
 PC1 H-7PCPC0055



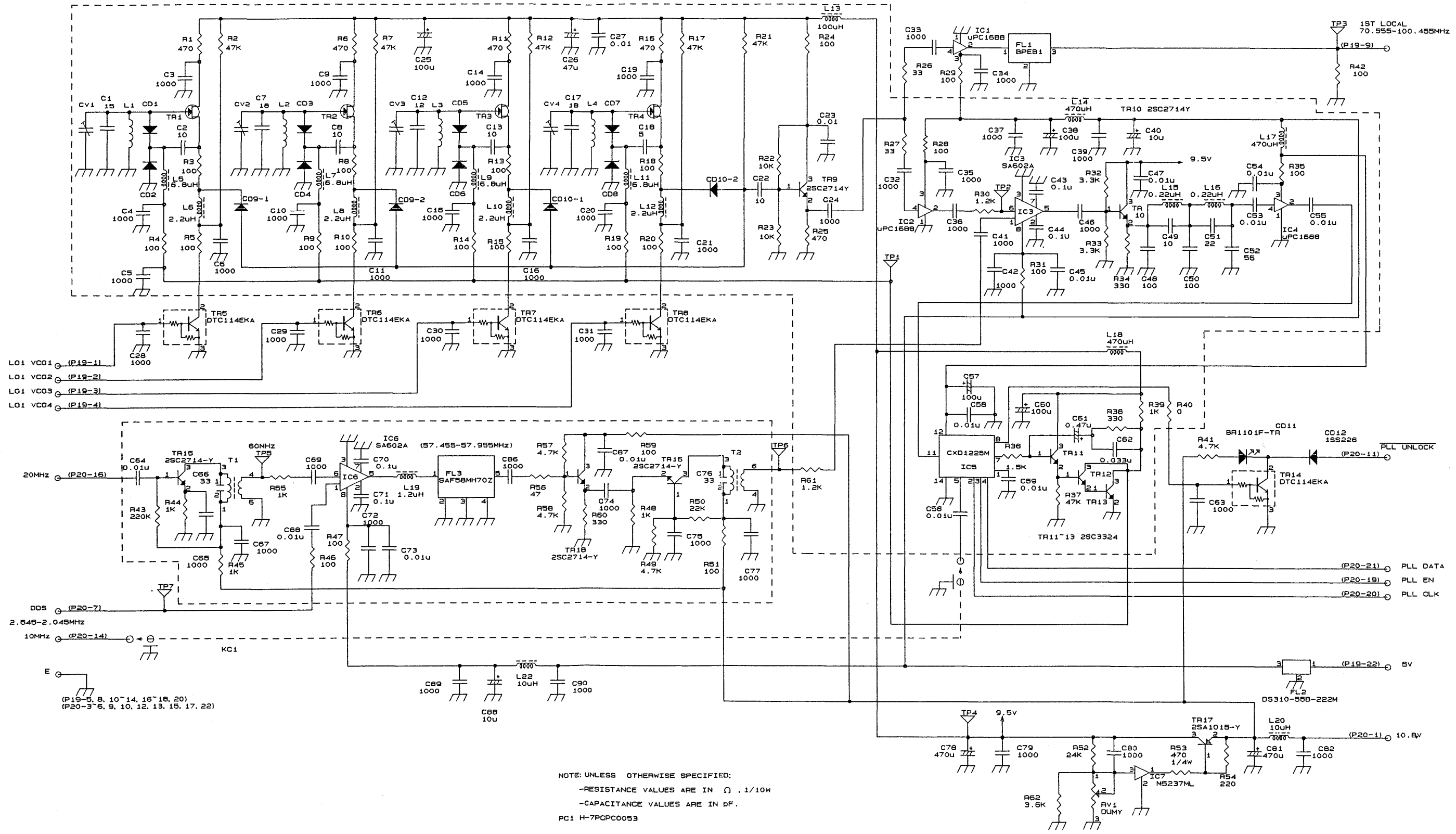
NOTE UNLESS OTHERWISE SPECIFIED
 -RESISTANCE VALUES ARE IN Ω 1/10W
 -CAPACITANCE VALUES ARE IN pF
 PC1 H-7PCPC0050

CFL-356

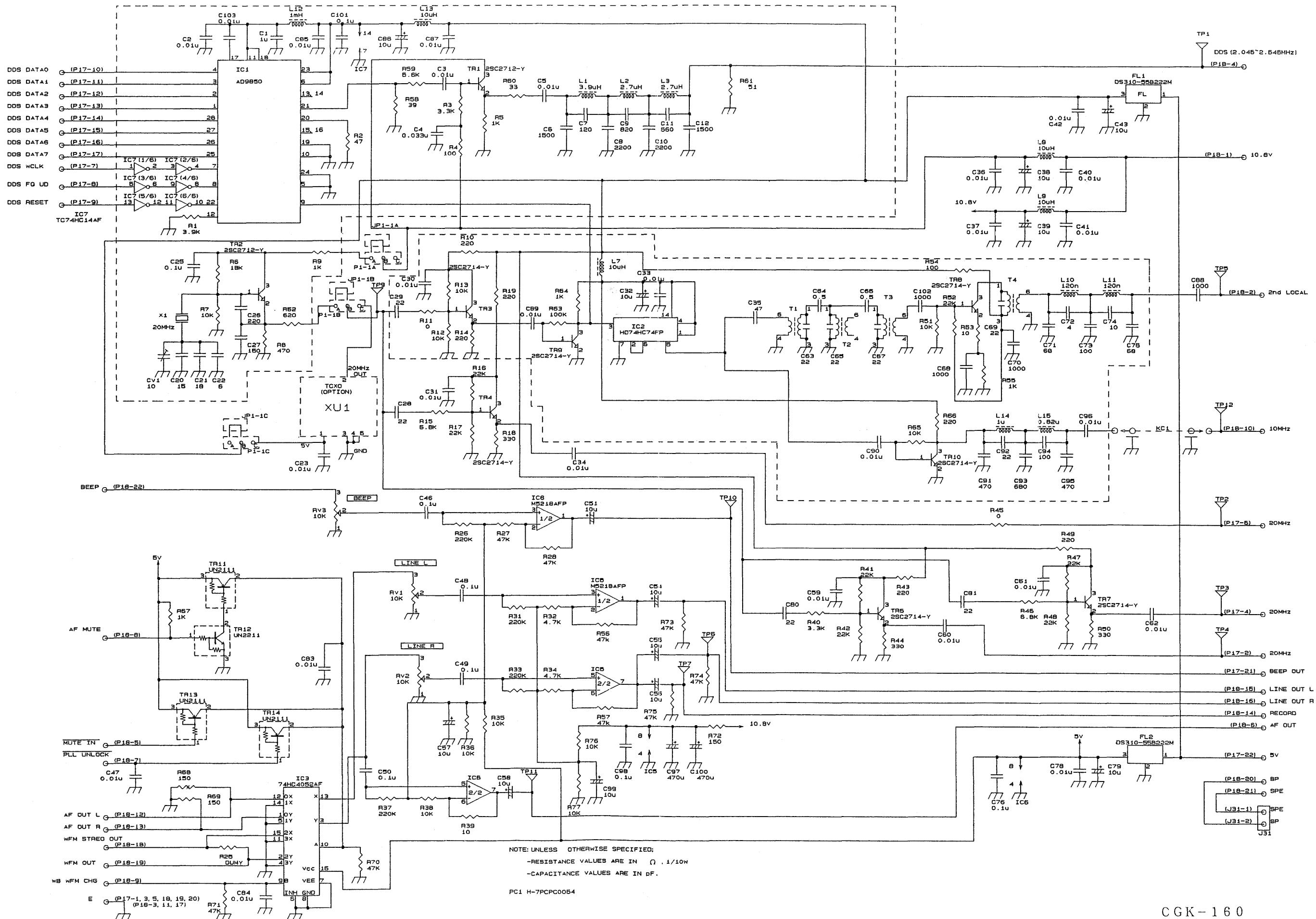


NOTE: UNLESS OTHERWISE SPECIFIED
 -RESISTANCE VALUES ARE IN Ω/10K
 -CAPACITANCE VALUES ARE IN pF
 PCI H-7PCPC0051

CD1~CD8 MA366
 CD9~CD10 HSM2694
 CV1~CV4 TZ03Z100FR
 TR1~TR4 2SK210BL

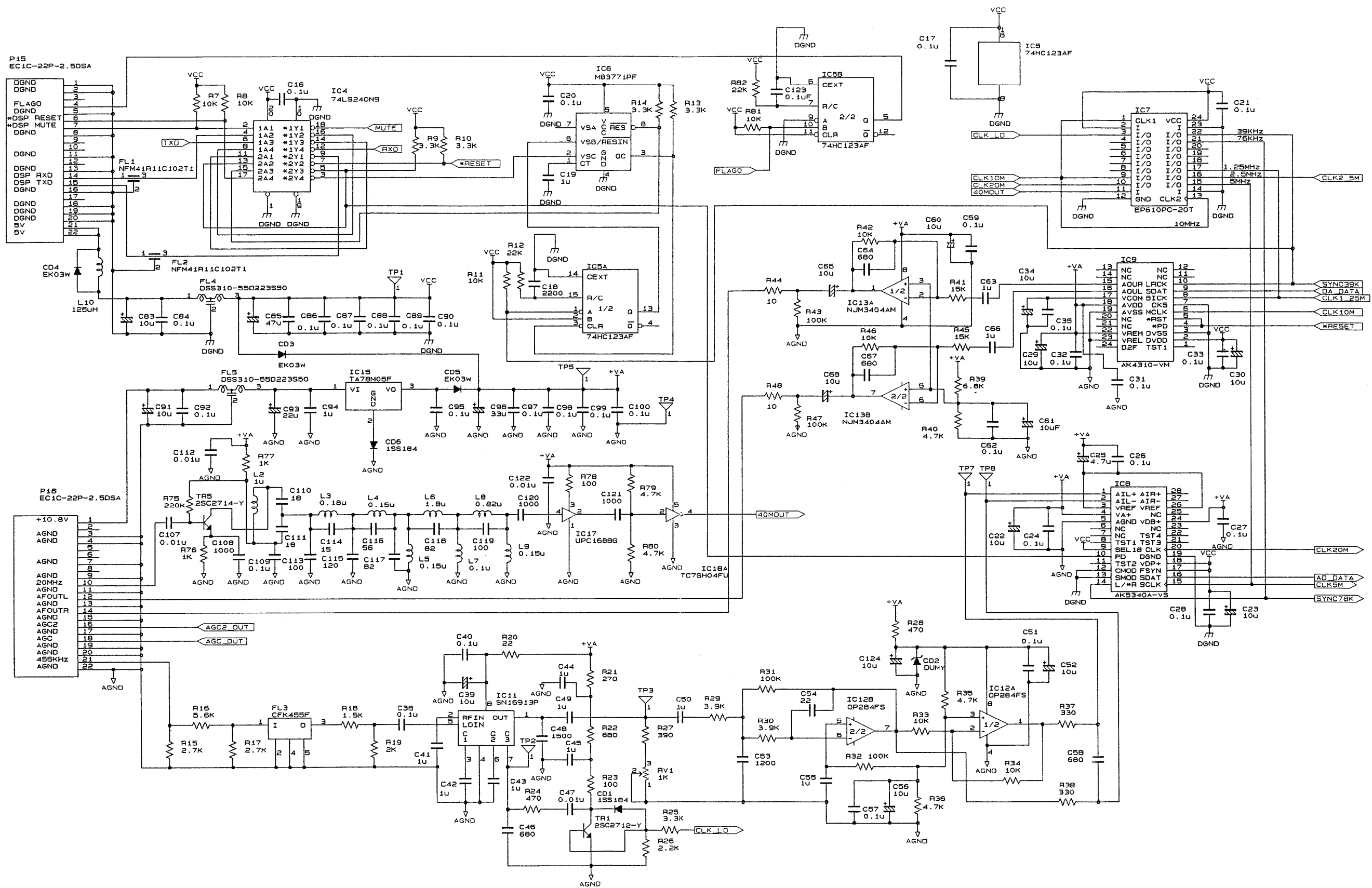


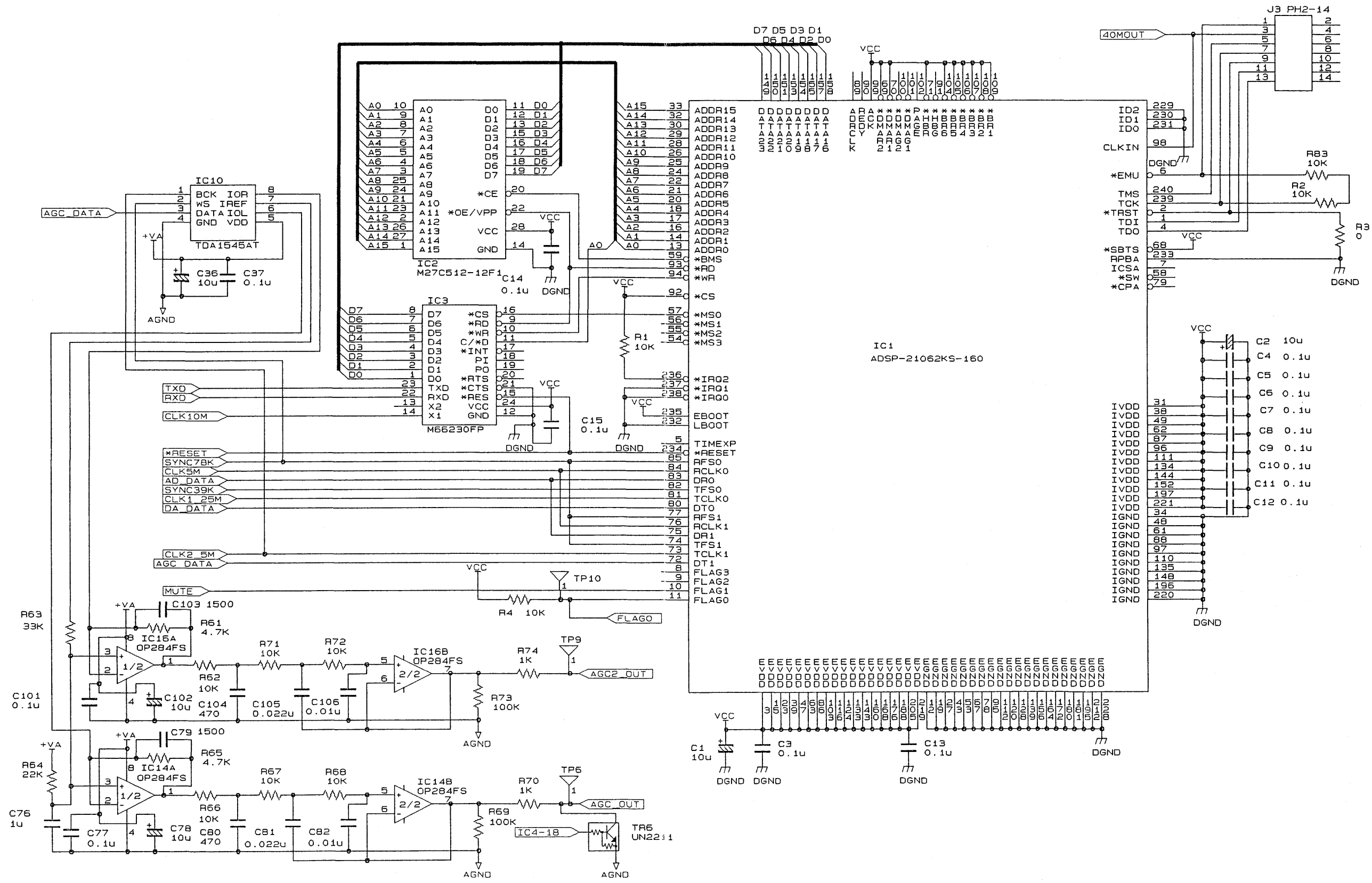
NOTE: UNLESS OTHERWISE SPECIFIED:
 -RESISTANCE VALUES ARE IN Ω .1/10W
 -CAPACITANCE VALUES ARE IN pF.
 PC1 H-7PCPC0053



CGK-160

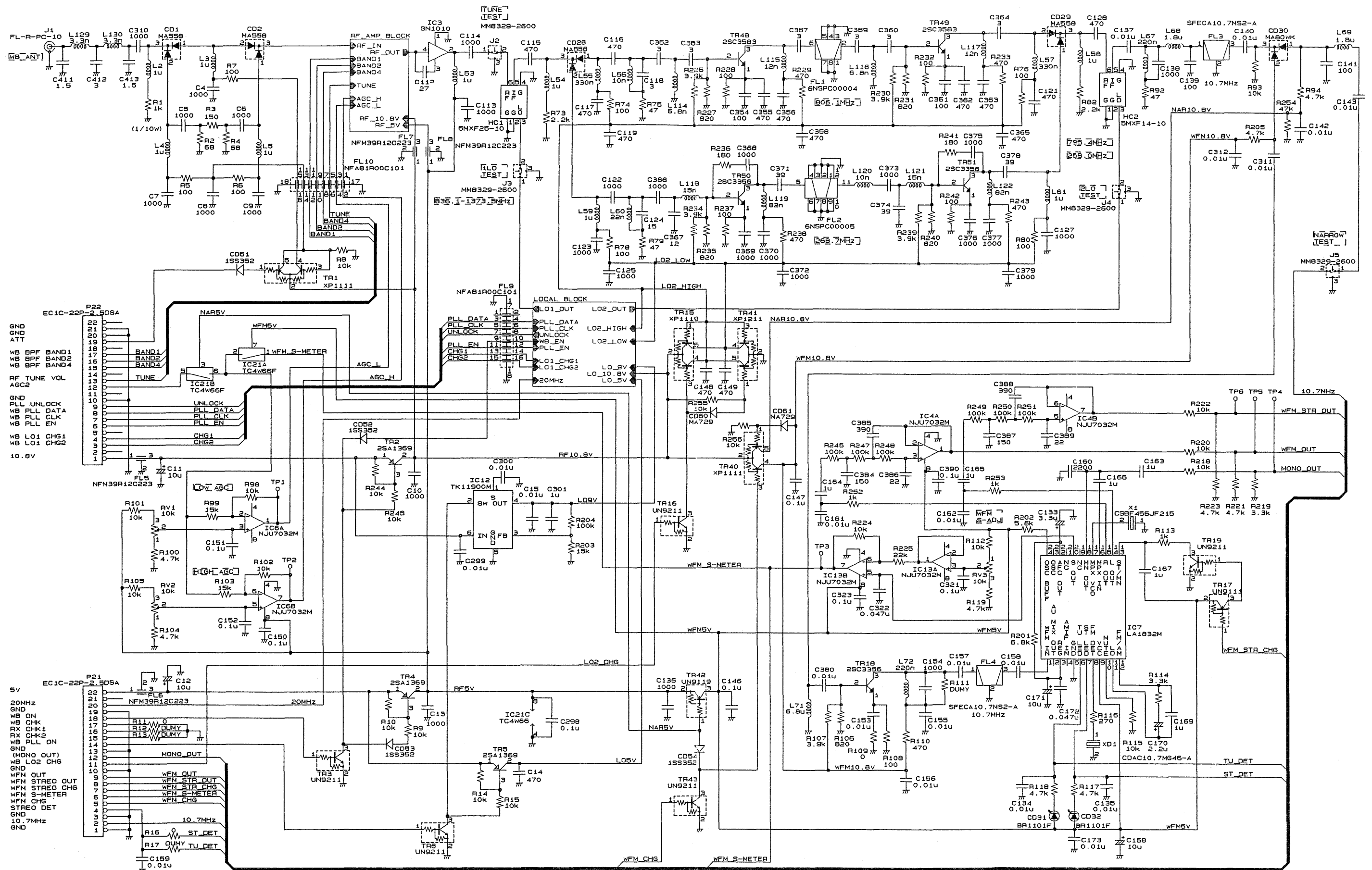
REF/DDS UNIT





CDA-752

DSP UNIT (2/2)



NOTE: Unless otherwise specified:
 -Capacitance values are in pF.
 -Inductance values are in H.
 -Resistance values are in Ω . (1/16W)

PC1 7PCPC0052A

