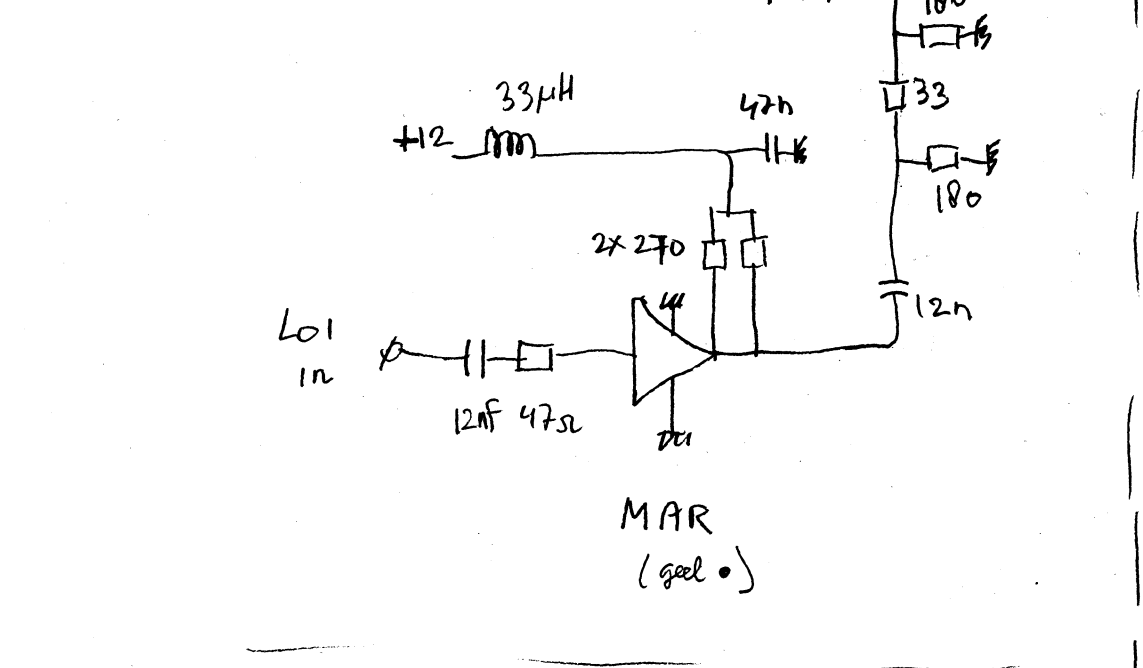
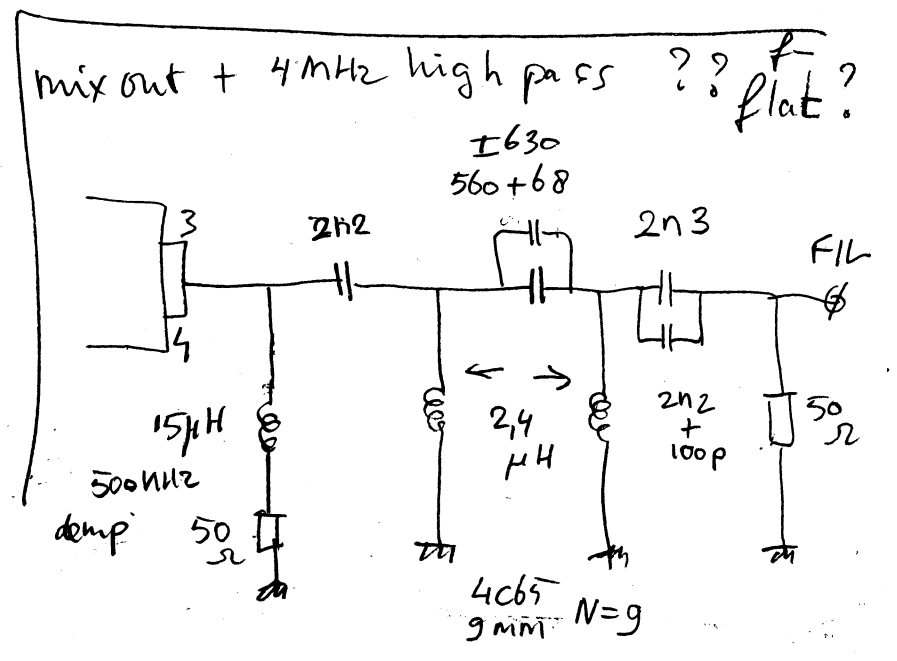


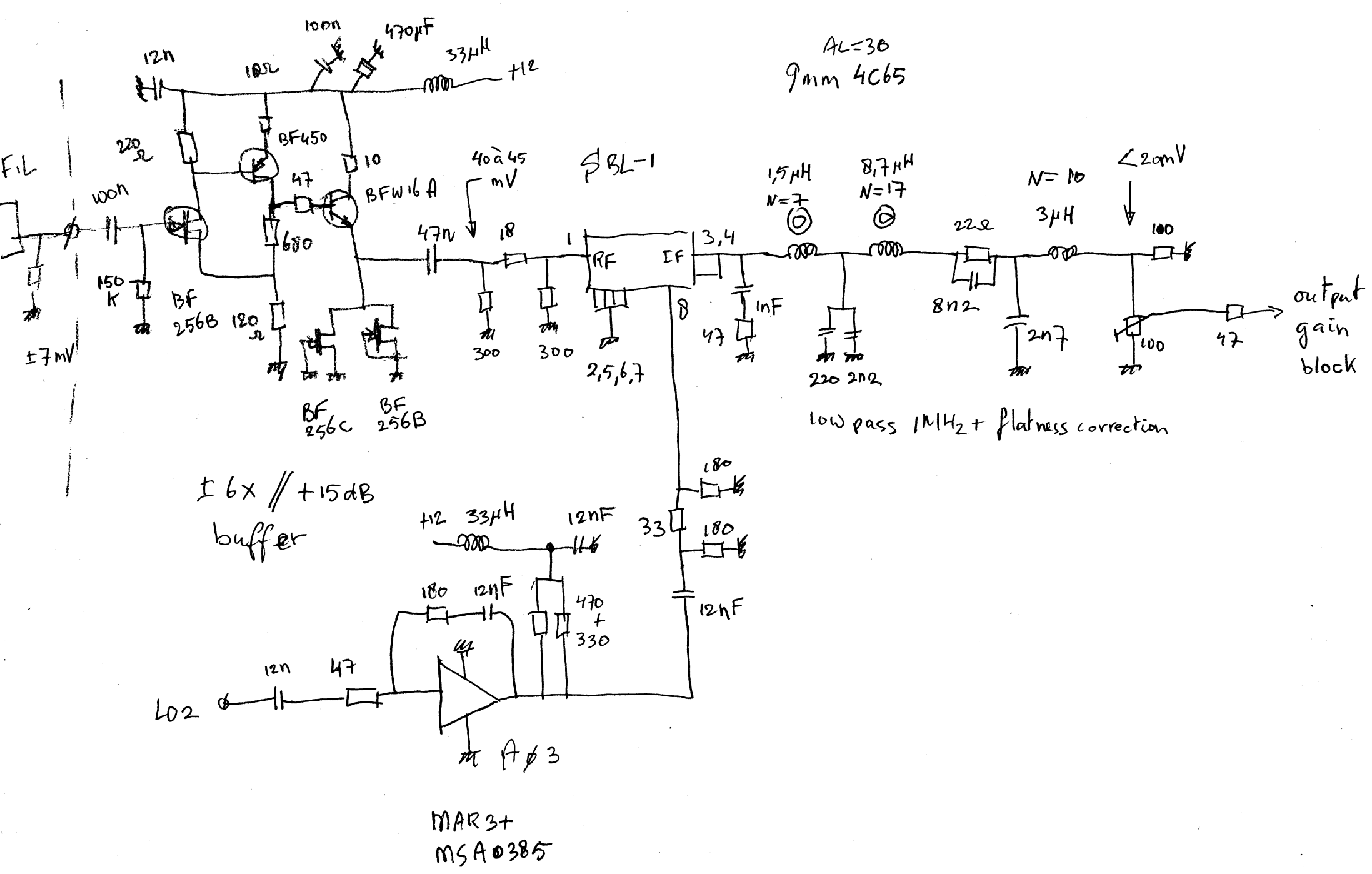
Example 1 extra high pass



Example 2 extra high pass



$455 \rightarrow 10.7 \text{ M}$   
 re mix



10.7 MHz  
buffer + 2<sup>e</sup> mix → 455



