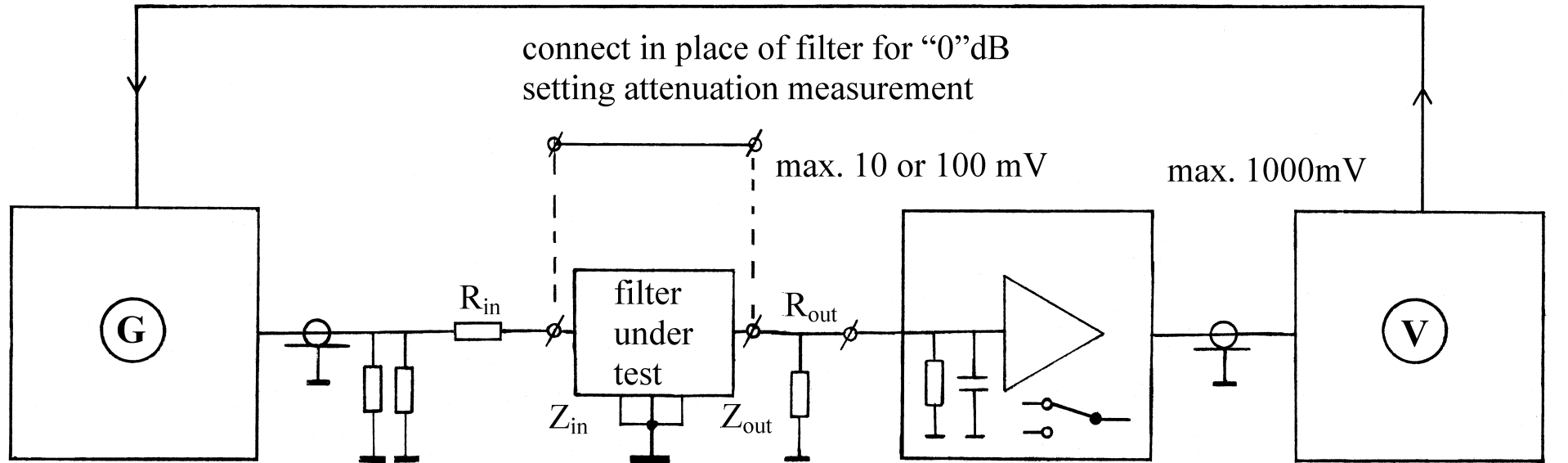


generator tracking feedback



PS-3
signal generator
20-25 mV (100x)
or
200-250 mV (10x)

$2 \times 100 \Omega$
 $= 50 \Omega$

$R_{in} = Z_{in} - 50$

$R_{out} = Z_{out}$

10x / 100x amplifier module
with high R_{in} and very low C_{in}

SPM-3
selective voltmeter