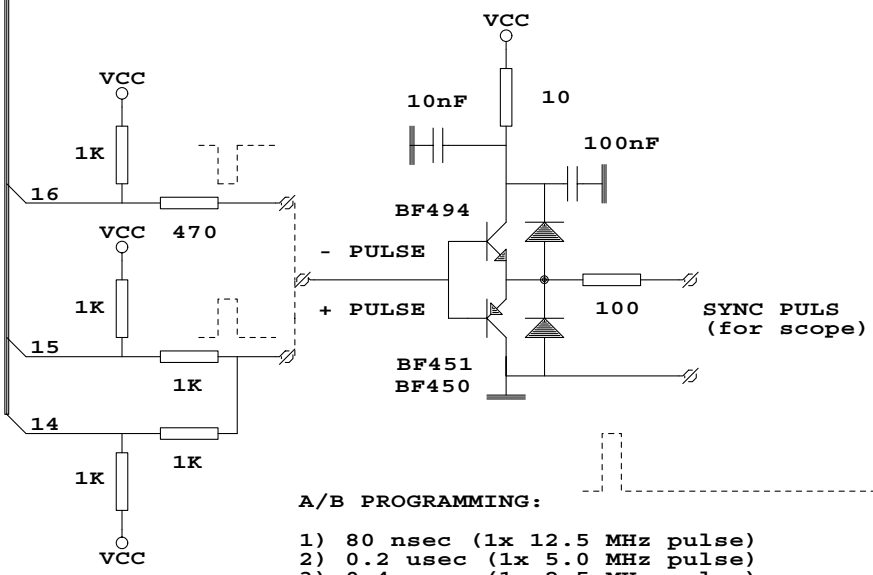


PULSE PROG

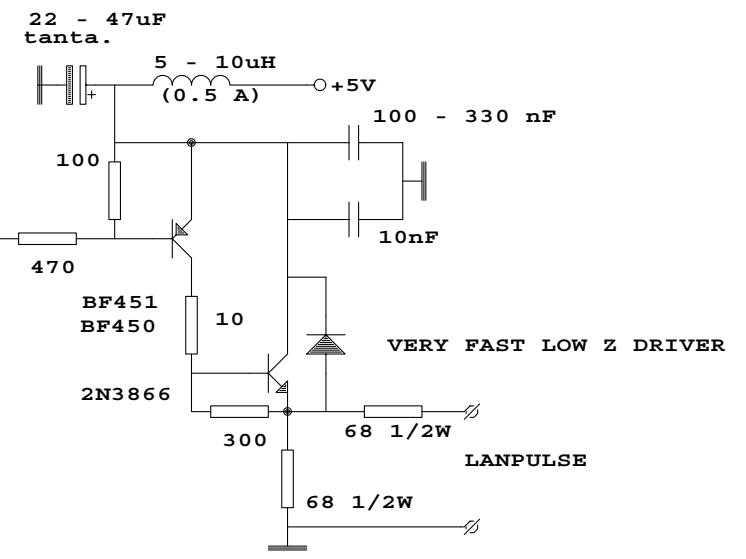
B	A
1	1
1	0
0	1
0	0

JUMPERS OR SWITCHES

5x 1K pullup = SIL R array



- A/B PROGRAMMING:
- 1) 80 nsec (1x 12.5 MHz pulse)
 - 2) 0.2 usec (1x 5.0 MHz pulse)
 - 3) 0.4 usec (1x 2.5 MHz pulse)
 - 4) 1.6 usec (1x 625 kHz pulse)
- 1 pulse-pause cycle always 12 usec = 1x 85 kHz period



USED TO MEASURE THE Z OF WINDING STRAINS		
PRINCIPLE = PULSE-ECHO		
Title		
MULTI WIDTH "LAN" TEST PULSE GENERATOR		
Size	Document Number	REV
A	CREATED BY PEIABR	
Date: April 27, 2012		Sheet of