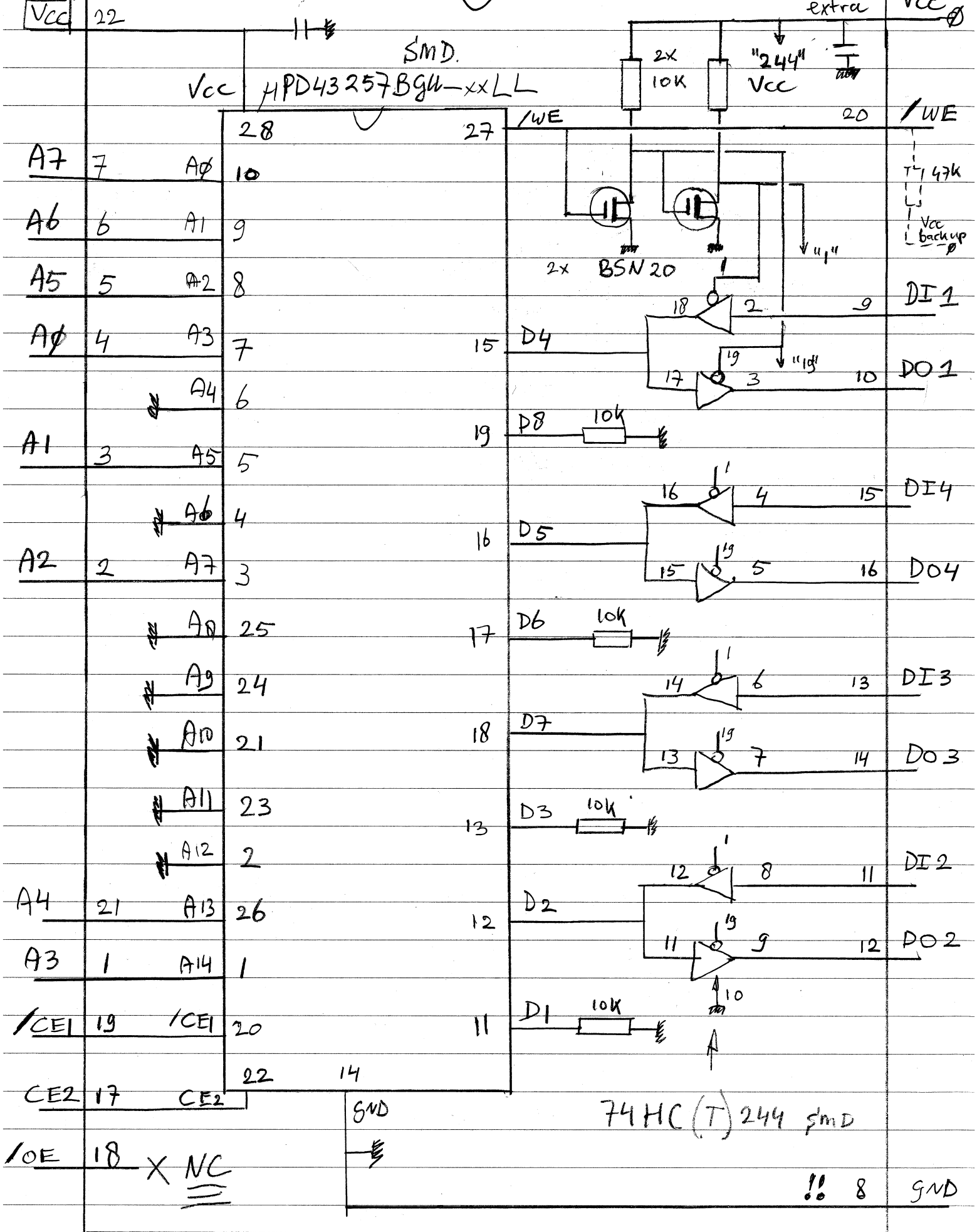


PLUG

HPD or MCM 5101 "LL"

+5Vcc exteri
ND backup

backUp



LL = Super low power