



Description

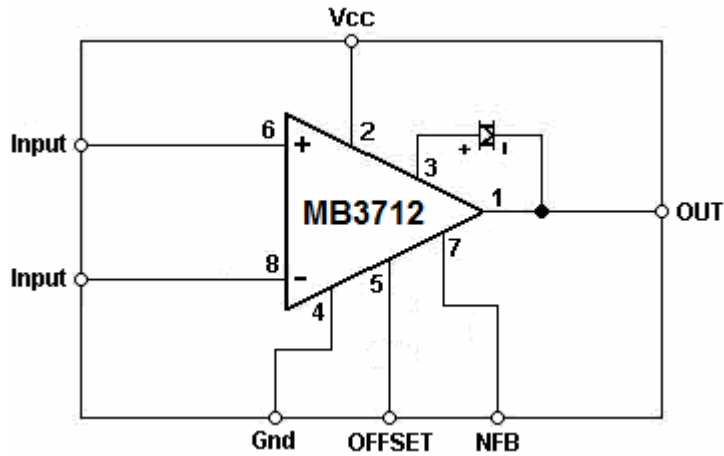
The MB3712 is a power audio amplifier for consumer applications. In order to hold System cost to a minimum, gain is internally fixed at 52.5 dB. A unique input stage allows ground referenced input signals. The output automatically selfcenters to one-half the supply voltage.

Uses include simple phonograph amplifiers, intercoms, line drivers, teaching machine outputs, alarms, ultrasonic drivers, TV sound systems, AM-FM radio, sound projector systems, etc.

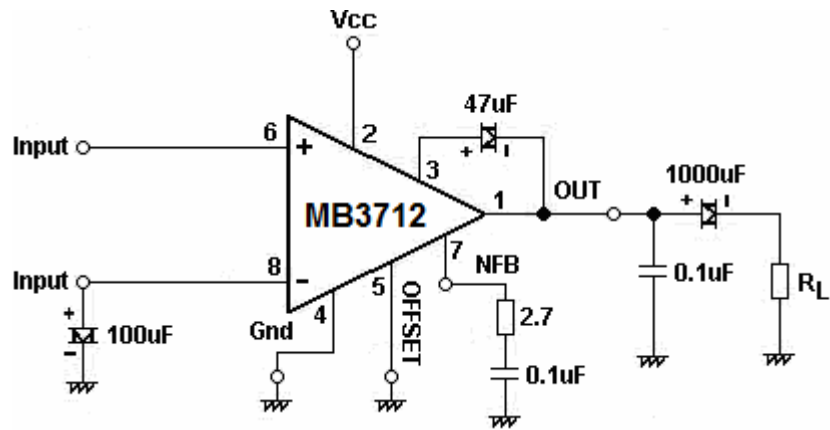
Features

- Wide supply voltage range : 9 ~ 18V
- Low quiescent power drain
- Voltage gain fixed at 40
- High peak current capability : 4.5A
- Input referenced to GND
- Input impedance : 50k Ω
- Low distortion : 0.2% ($P_{OUT} = 1W, R = 2\Omega$)
- Quiescent output voltage is at one half of the supply voltage

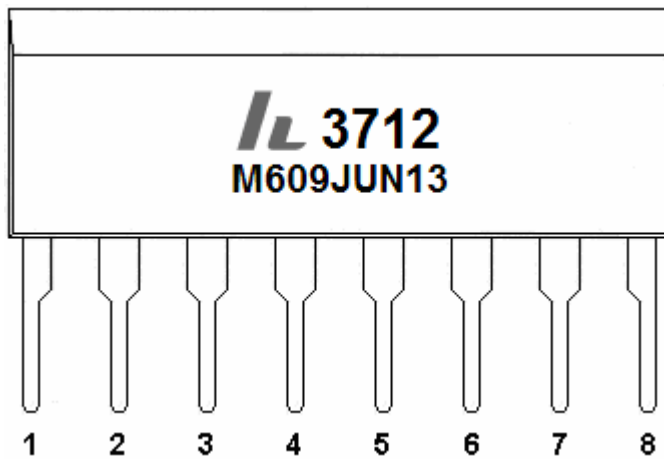
BLOCK DIAGRAW



TYPICAL APPLICATIONS



CONNECTION DIAGRAW

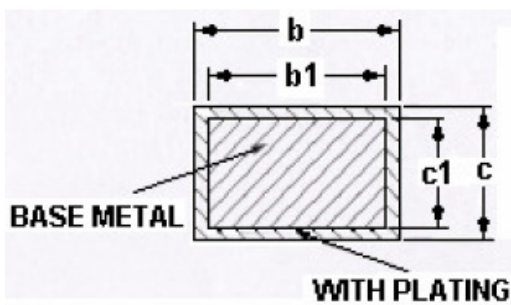
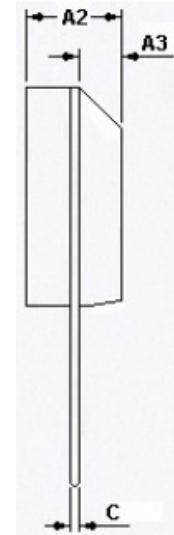
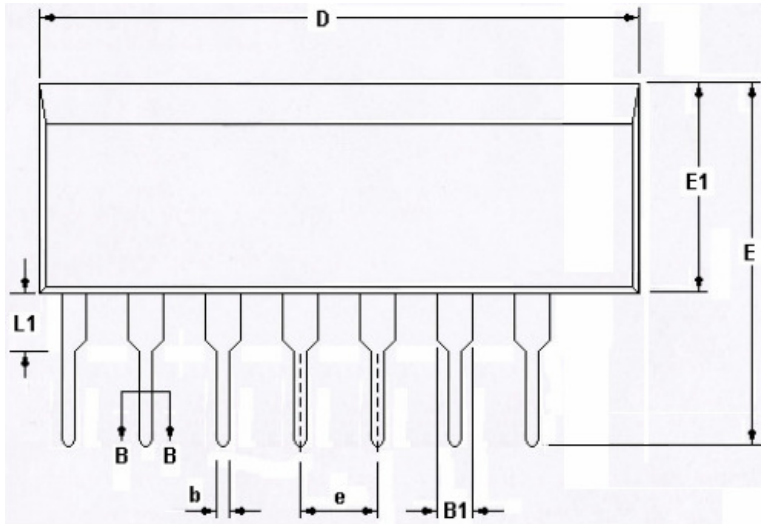


Pin No.	MB3712
1	OUT
2	Vcc
3	BS
4	GND
5	OFFSET
6	+IN
7	-
8	-IN

ELECTRICAL CHARACTERISTICS

Symbol	Conditions	Min	Typ	Max	Units
I_Q	$V_{IN} = 0$	-	30	60	mA
G_V	$P_{OUT} = 1W$	5.0	52.5	55	dB
P_{OUT}	THD = 10%	5.0	5.7	-	W
THD	$P_{OUT} = 1W$	-	0.2	1.0	%
N_{OUT}	$R_g = 10k\Omega$ $BW = 20\text{ Hz} \sim 20\text{ kHz}$	-	1.0	2.0	mA
R_{IN}		-	50	-	k Ω

SIP_7P_2.54A



Symbol	Millimeter		
	Min	Nom	Max
A2	2.70	2.80	2.90
A3	1.35	1.40	1.45
b	0.49	—	0.57
b1	0.48	0.50	0.53
B1	1.20BSC		
c	0.25	—	0.31
c1	0.24	0.25	0.26
D	19.00	19.20	19.40
e	2.54BSC		
E	11.20	11.40	11.70
E1	6.30	6.50	6.70
L1	1.30	1.50	1.70
L/F (mil)	80*80		