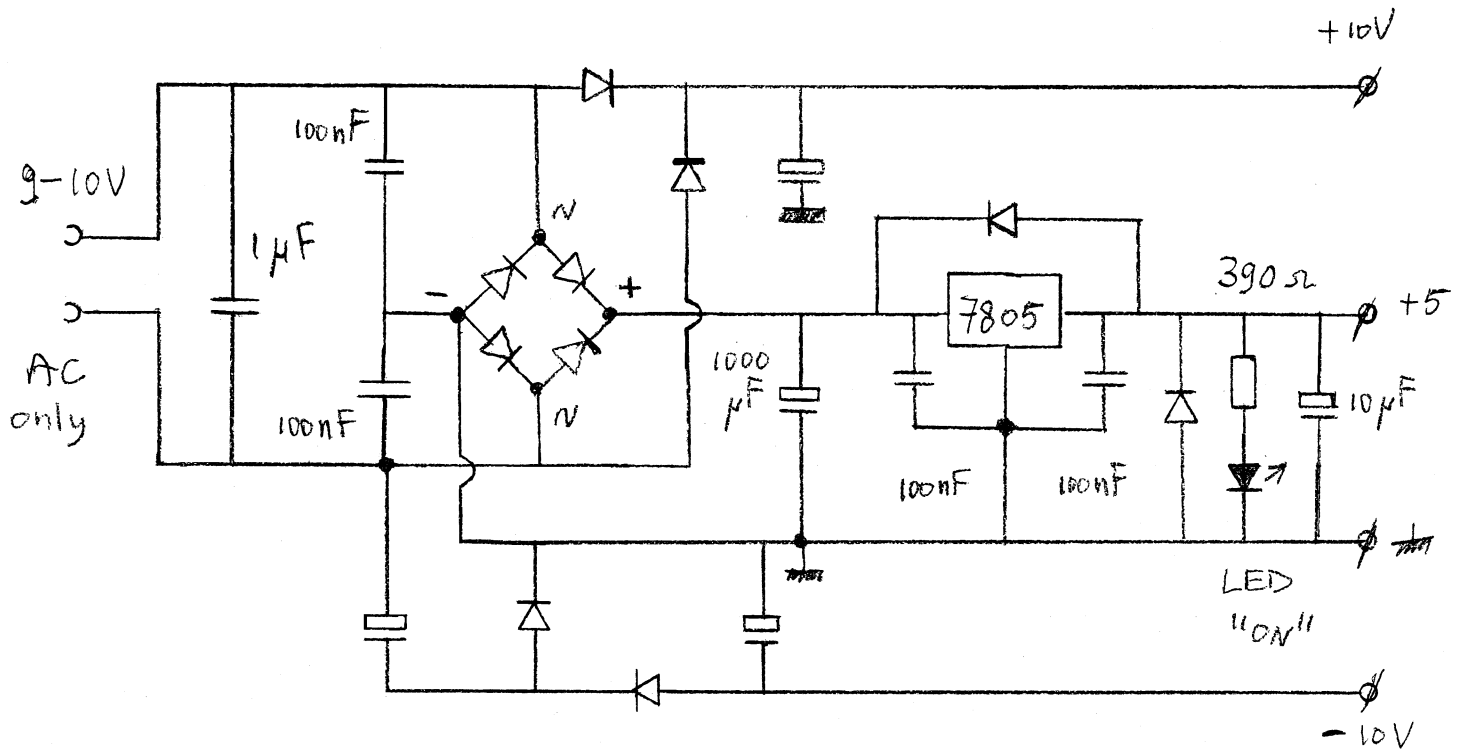


© Wg/PEIABR

PCB-1 ← PCB-2

RS-232 ↔ RS-422



electrol. → 470 → 1000 µF

1A bridge + 1N4004 D's

9 → 10V AC adapter

© Wg '89 // PE1ABR  
for P2C/Micro-Tek