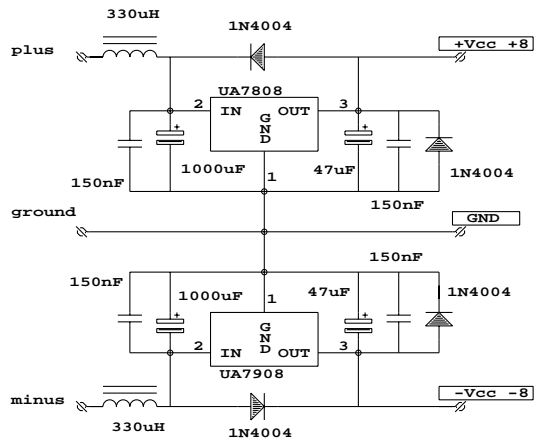


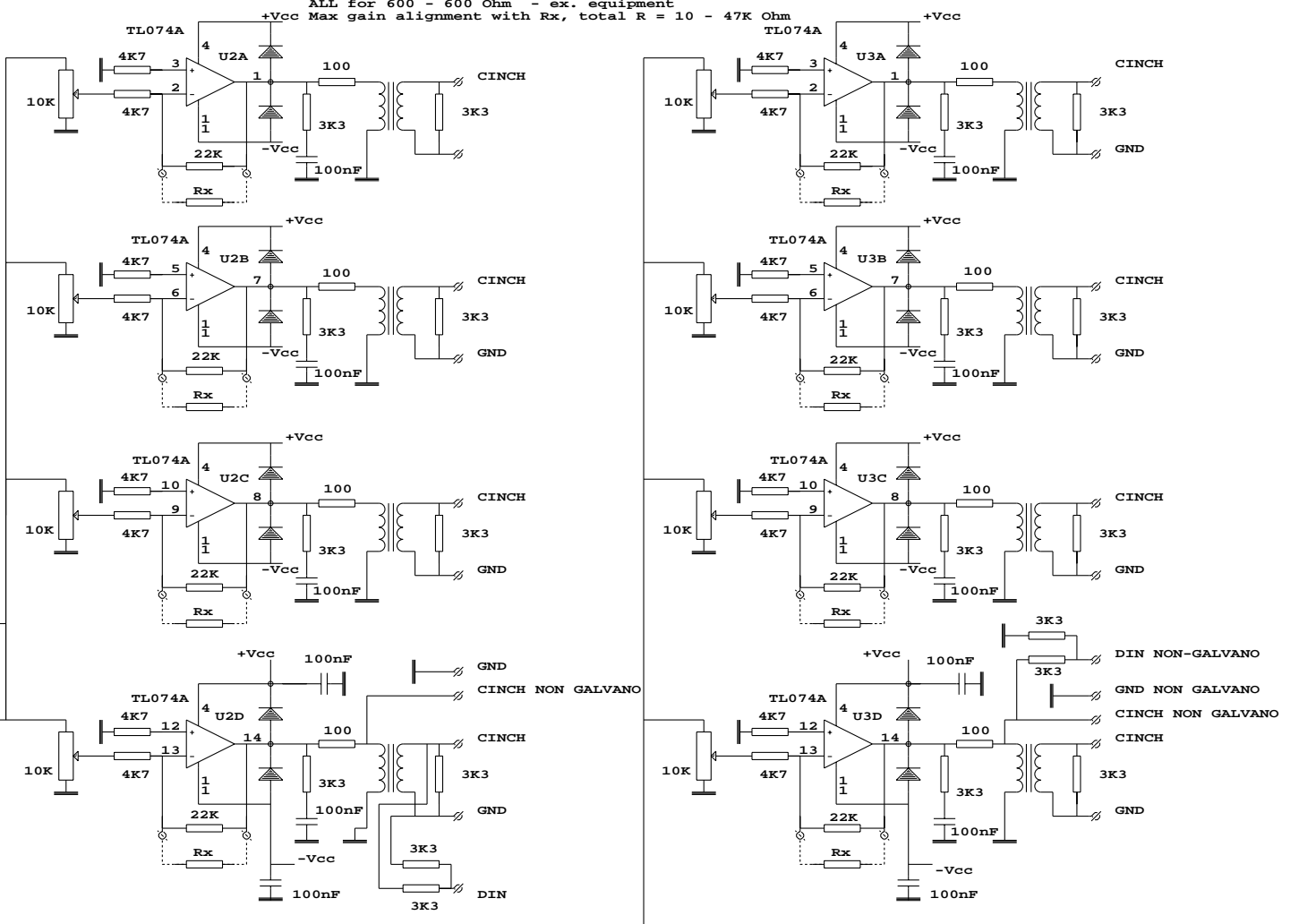
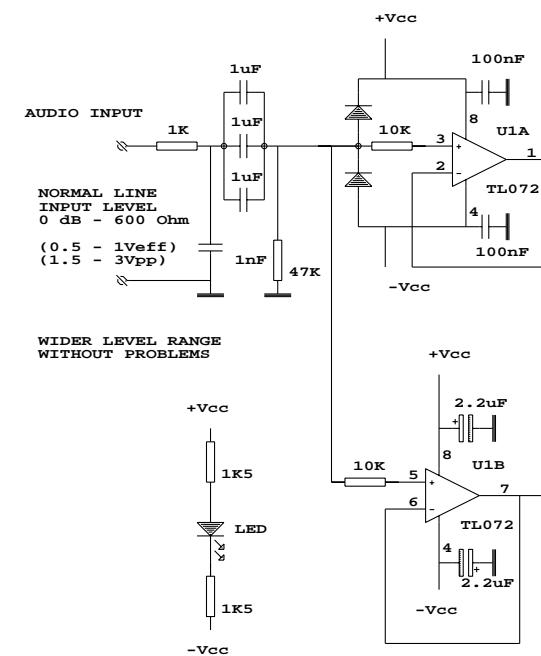
To modified adapter transformer with
2x 10 - 14 V DC output (300 mA)

Regulators without any heat sink



ALL transformers: different variations modem transformers
ALL for 600 - 600 Ohm - ex. equipment
Max gain alignment with Rx, total R = 10 - 47K Ohm

ALL undefined diodes: 1N4148 or equiv.



WHY SO MANY OUTPUTS??

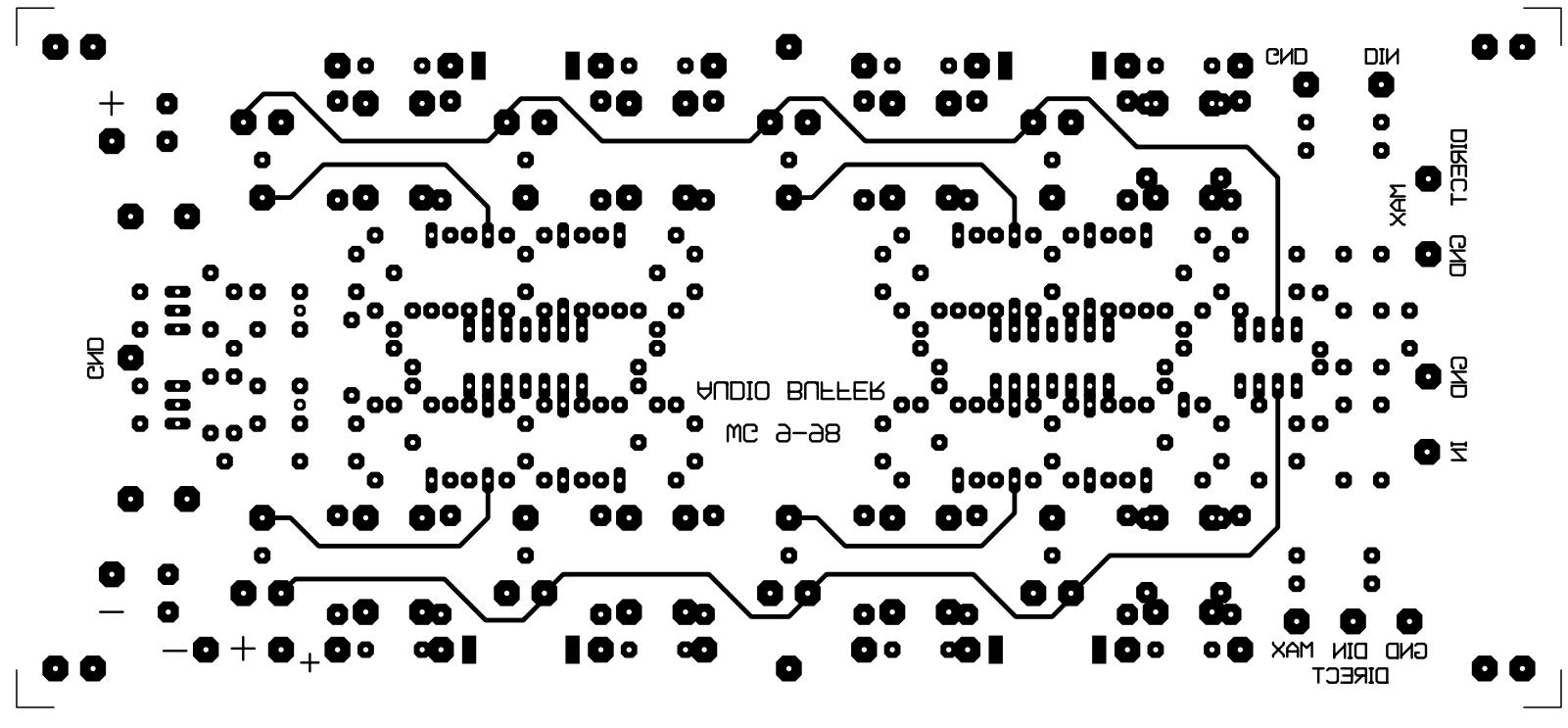
Hamcomm-navtex unit
Wraase fax decoder
Code3 unit
ST6 RTTY coil unit
cassette output
AUX/ 2ND hamcomm
a.s.c.
ALL without ground loop
ALL free from Rx ground

Audio multipurpose buffer AMP, with individual output level setting for each output!!
EACH output has its own galvanic separation transformer
The purpose is to eliminate ALL possible ground loops when interfacing the receiver to lots of decoding devices connected to a PC or other computing interfaces
This greatly helps to reduce unwanted interference and hum
UNLOADED output frequency range: 100 Hz - 5 to 10kHz depends on transformer quality

NON galvanic separated outputs preferably for testing purposes only
DIN outputs for recording purposes

EVERY DECODER OUTPUT GALVANIC SEPARATED !!!

Title COMMUNICATIONS RECEIVER AUDIO BUFFER AMP		
Size	Document Number	REV
B	CREATED BY W. GEERAERT PELABR	
Date:	January 14, 2000	Sheet 1 of 1



AUDIO BUFFER
MC 2-28

GND

GND

DIN

DIRECT GND

MAX

GND

IN

DIRECT GND

MAX

DIN

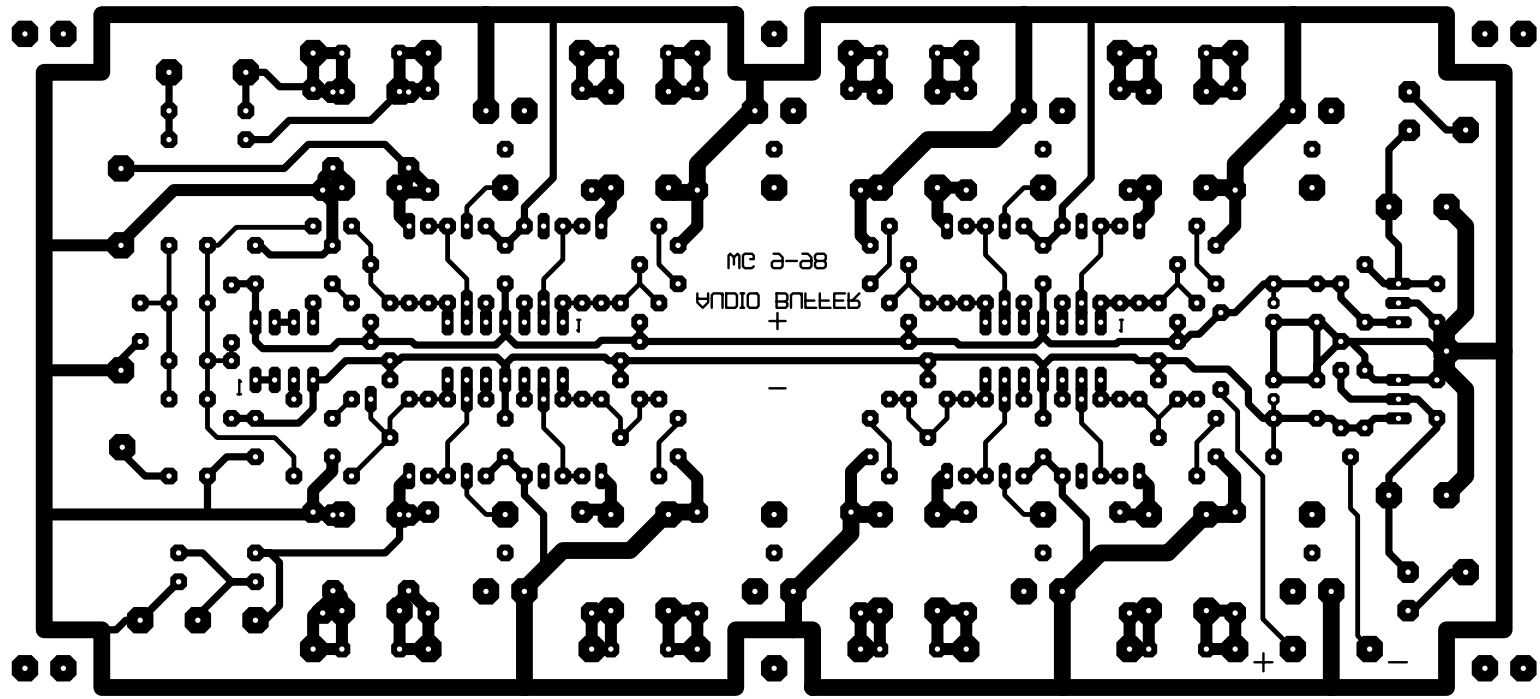
+

-

-

+

+



MC 2-28
AUDIO BUFFER
+

-

+

-

GALEMANISCH GESCHIEDEN AUDIO BUFFER

