

Ceramic Filters for Communication

Token Ceramic Filters to Address the G.D.T. Characteristics for Communication (Murata CF, SF Compatible)



▶ Preview

Token ceramic filters for communication LT 455/450 U/W series are 4-element and 6-element devices connected in ladder form. These highly selective filters are designed to address the G.D.T. characteristics required in digital communications.

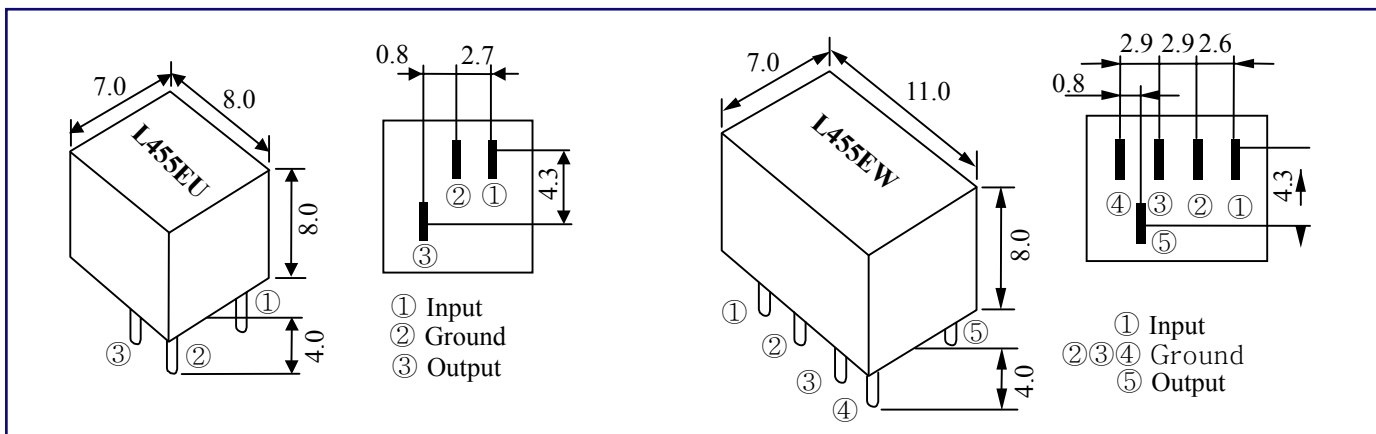
The excellent G.D.T. characteristics allow these filters to be utilized in areas such as the mobile cellular markets as well as a variety of stereo applications. (Also available in 450kHz version.)

Custom parts are available on request. Token will also produce devices outside these specifications to meet specific customer requirements, please contact our sales for more information.

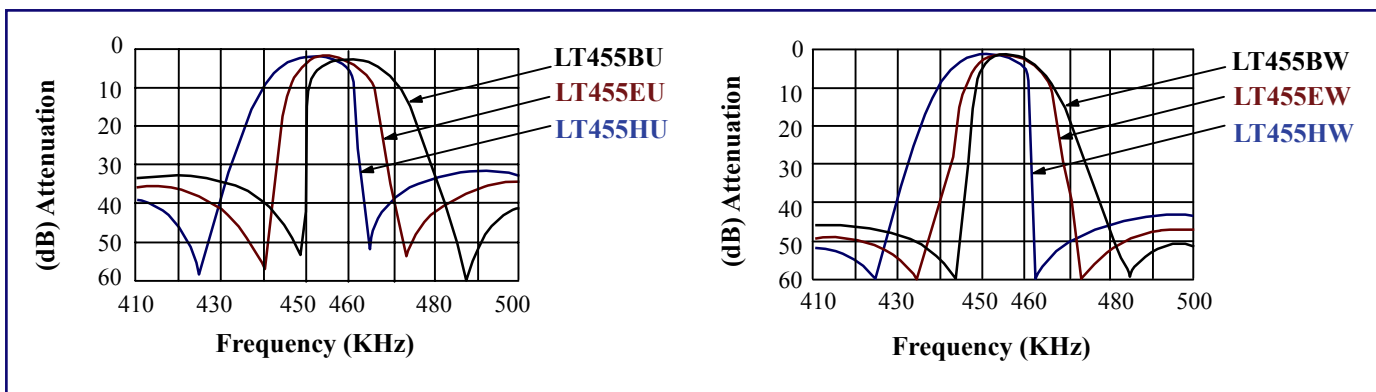
▶ Benefit Features :

- LT455 EU Dimensions: (7.0 x 8.0 x 8.0 mm).
- LT455 EW Dimensions: (7.0 x 11.0 x 8.0 mm).
- Center frequency: 450kHz, 455kHz.
- Pass Band Ripple (dB) max: 2 db.
- Insertion Loss (dB) max: 4 db, 6 db.
- Input / Output Impedance: 1000Ω ~ 2000Ω.

Dimensions



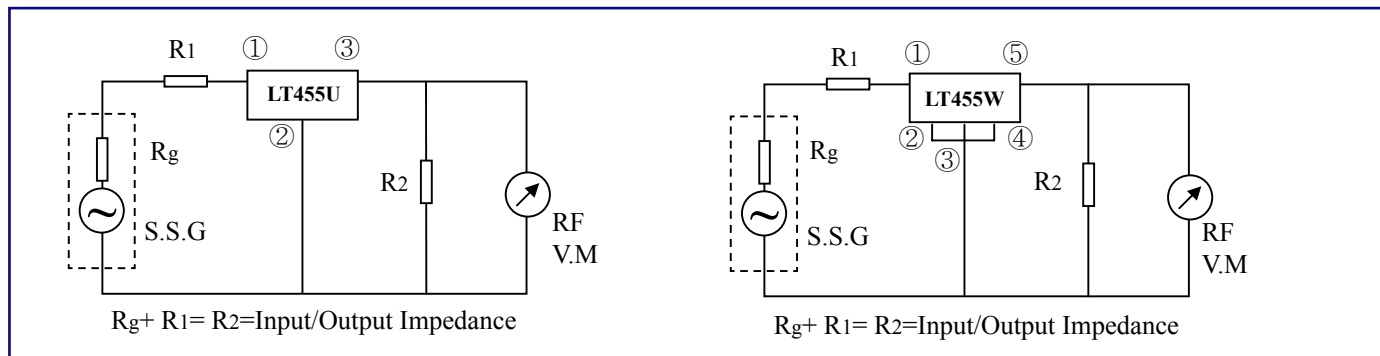
Technical Characteristics



Part Number		Center Frequency (kHz)	Insertion Loss (dB) max	Pass Band Ripple (dB) max	6dB Band Width (kHz) min	40dB Band Width (kHz) max (LT455U)	50dB Band Width (kHz) max (LT455W)	Spurious Attenuation fo±100kHz (dB) min		Input / Output Impedance (Ω)
								(LT 455 U)	(LT 455 W)	
LT455AU	LT455AW	455±2.0	4	2	±17.5	±40	±35	28	40	1000
LT455BU	LT455BW	455±2.0	4	2	±15	±30	±30	28	40	1500
LT455CU	LT455CW	455±2.0	4	2	±12.5	±24	±24	28	40	1500
LT455DU	LT455DW	455±1.5	4	2	±10	±20	±20	28	40	1500
LT455EU	LT455EW	455±1.5	6	2	±7.5	±15	±15	28	40	1500
LT455FU	LT455FW	455±1.5	6	2	±6	±12.5	±12.5	28	40	2000
LT455GU	LT455GW	455±1.5	6	2	±4.5	±10	±10	28	40	2000
LT455HU	LT455HW	455±1.0	6	2	±3	±9	±9	28	40	2000
LT455IU	LT455IW	455±1.0	6	2	±2	±7.5	±7.5	28	40	2000
LT455HTU	LT455HTW	455±1.0	6	2	±3	±9	±9	35	60	2000

Note: Center frequency 450kHz is also available.

▶ Test Circuit



▶ How to Order

LT455BU

❶

P

❷

❶ Part Number

❷ Package

Back to 1st Page - Ceramic Filters for Communication - LT 455/450 U/W