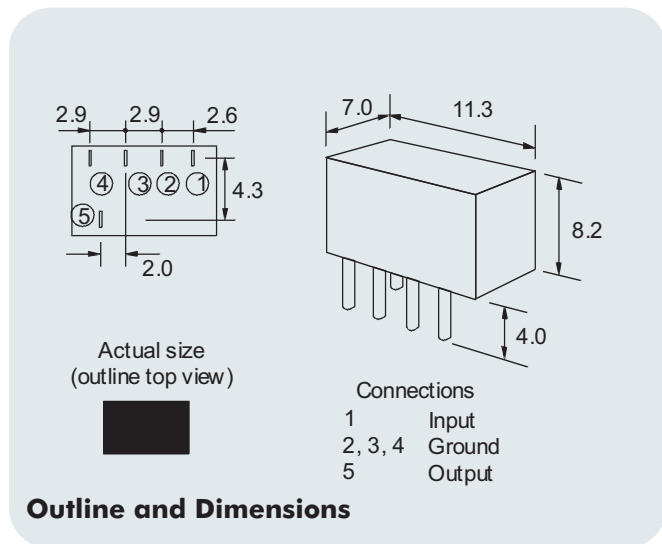


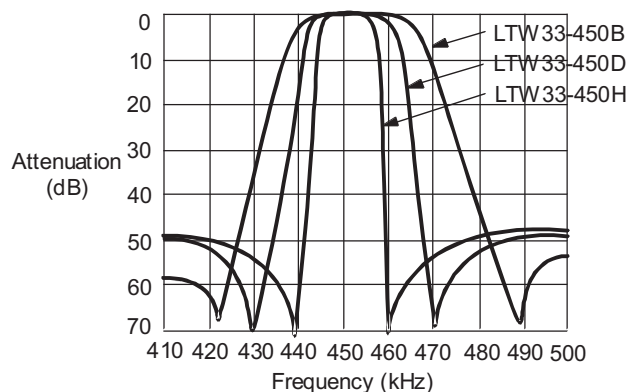
- High selectivity type ceramic filters
- A variety of bandwidths available
- Easily mounted to PCB
- Miniature size

## 6 Element

### SPECIFICATION



### Frequency v. Attenuation Characteristics



### ELECTRICAL CHARACTERISTICS

Part Number	Centre Frequency (kHz)	Insertion Loss (dB max.)	Pass Band Ripple (dB max.)	6dB Bandwidth (kHz min.)	50dB Bandwidth (kHz min.)	Stop Band Att. $\pm 100$ kHz (dB min.)	Input/Output Impedance ( $\Omega$ )
LTW33-455B	455 $\pm$ 2	4	2	$\pm 15$	$\pm 30$	45	1500
LTW33-455C	455 $\pm$ 2	4	2	$\pm 12.5$	$\pm 24$	45	1500
<b>LTW33-455D</b>	<b>455<math>\pm</math>1.5</b>	<b>6</b>	<b>2</b>	<b><math>\pm 7.5</math></b>	<b><math>\pm 15</math></b>	<b>45</b>	<b>1500</b>
<b>LTW33-455E</b>	<b>455<math>\pm</math>1.5</b>	<b>4</b>	<b>2</b>	<b><math>\pm 10</math></b>	<b><math>\pm 20</math></b>	<b>45</b>	<b>1500</b>
LTW33-455F	455 $\pm$ 1.5	6	2	$\pm 6$	$\pm 12.5$	45	2000
LTW33-455G	455 $\pm$ 1.5	6	2	$\pm 4.5$	$\pm 10$	45	2000
LTW33-455H	455 $\pm$ 1.0	6	2	$\pm 3$	$\pm 9$	45	2000
LTW33-455I	455 $\pm$ 1.0	6	2	$\pm 2$	$\pm 7.5$	45	2000
LTW33-455HT	455 $\pm$ 1.0	6	2	$\pm 3$	$\pm 9$	60	2000
LTW33-455IT	455 $\pm$ 1.0	6	2	$\pm 2$	$\pm 7.5$	60	2000

### TEST CIRCUIT

