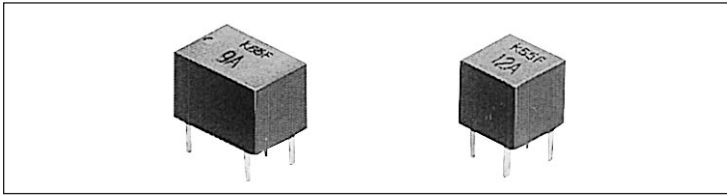


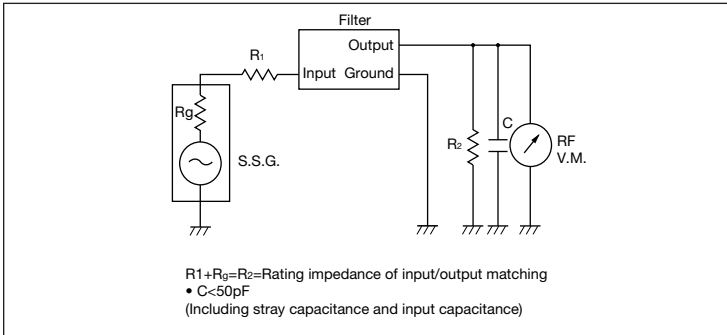
KHz Band Ceramic IF Filters



KBF-RS, PS Series

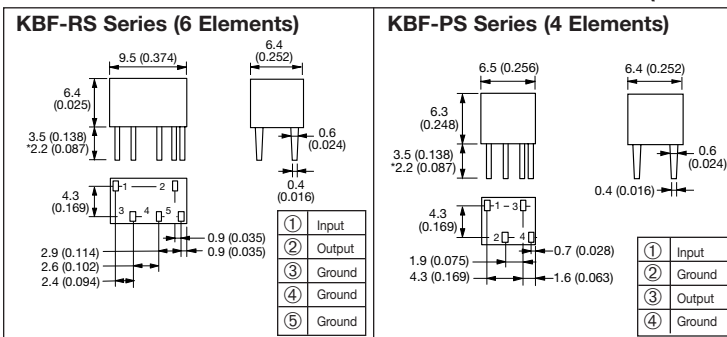


TEST CIRCUIT



DIMENSIONS

millimeters (inches)



FEATURES

- Small and low profile
- High selectivity
- Low insertion loss
- Adjustment free
- Various pass band width available

APPLICATIONS

- Cordless phone
- Car audio
- (AM radio section)
- Pager
- Walkie & Talkie
- Remote control receiver

HOW TO ORDER

KBF - 455 RS - 20 A □ □

Lead Length
 NIL = 3.5mm
 C = 2.2mm

Option
 NIL = Standard

Selectivity
 A = High selectivity
 AS = Super high selectivity

Pass Band-Width (kHz)
 6 Elements = 20, 15, 10, 9, 7, 6, 4
 4 Elements = 20, 15, 10, 9, 7, 6, 4

Number of Element
 RS = 6 Elements
 PS = 4 Elements

Center Frequency
 [450-460kHz available]

Model
 (Kyocera Bulk Filter)

SPECIFICATIONS

KBF-RL Series (6 Elements)

*2.2 (0.087) Lead length available

Part Number	Center Frequency (f_0)	RIPPLE	Pass Band Width		Stop Band Attenuation	Insertion Loss	Input/Output Matching Impedance	Operating Temperature
			6dB	40dB				
KBF-455RS-20A	455kHz±1.5kHz	2.0dB max.	±10kHz min.	±20kHz max.	37dB min.	4dB max.	1.5kΩ	-20°C to +80°C
KBF-455RS-15A			±7.5kHz min.	±15kHz max.				
KBF-455RS-12A			±6.0kHz min.	±12.5kHz max.				
KBF-455RS-10A			±5.0kHz min.	±10kHz max.				
KBF-455RS- 9A			±4.5kHz min.	±10kHz max.				
KBF-455RS- 7A	455kHz±1.0kHz	2.0dB max.	±3.5kHz min.	±9kHz max.	55dB min.	6dB max.	2.0kΩ	-20°C to +80°C
KBF-455RS- 6AS			±3.0kHz min.	±9kHz max.				
KBF-455RS- 4AS			±2.0kHz min.	±7.50kHz max.				

KBF-RL Series (4 Elements)

*2.2mm Lead length available

Part Number	Center Frequency (f_0)	RIPPLE	Pass Band Width		Stop Band Attenuation	Insertion Loss	Input/Output Matching Impedance	Operating Temperature
			6dB	40dB				
KBF-455PS-25A	455kHz±1.5kHz	2.0dB max.	±12.5kHz min.	±24kHz max.	27dB min.	4dB max.	1.5kΩ	-20°C to +80°C
KBF-455PS-20A			±10.0kHz min.	±20kHz max.				
KBF-455PS-15A			±7.5kHz min.	±15kHz max.				
KBF-455PS-12A			±6.0kHz min.	±12.5kHz max.				
KBF-455PS-10A			±5.0kHz min.	±12.0kHz max.				
KBF-455PS- 7A	455kHz±1.0kHz	2.0dB max.	±3.5kHz min.	±9kHz max.	35dB min.	6dB max.	2.0kΩ	-20°C to +80°C
KBF-455PS- 6AS			±3.0kHz min.	±9kHz max.				
KBF-455PS- 4AS			±2.0kHz min.	±7.50kHz max.				

Note: Center frequency is 450-460kHz available.