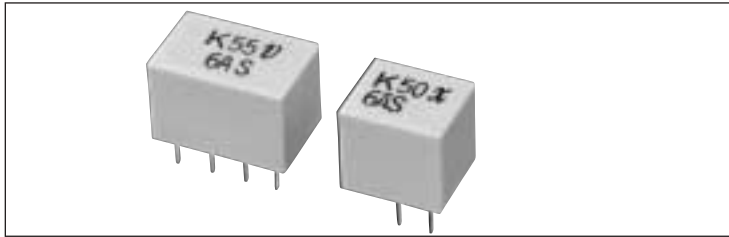


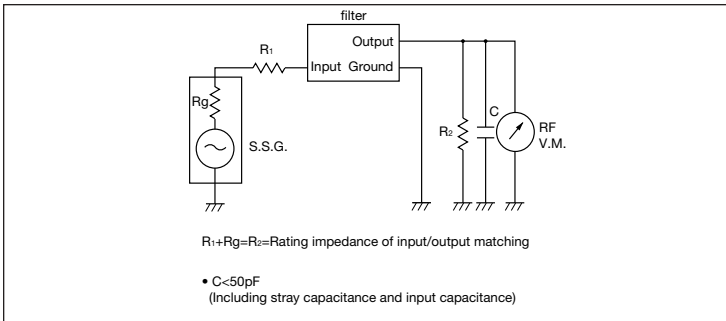
KHz Band Ceramic IF Filters



KBF-RL, PL Series

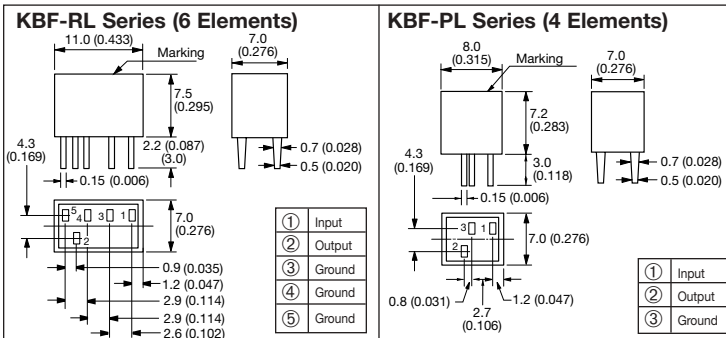


TEST CIRCUIT



DIMENSIONS

millimeters (inches)



SPECIFICATIONS (455 kHz)

KBF-RL Series (6 Elements)

Part Number	Center Frequency (f_0)	Ripple	Pass Band Width		Stop Band Attenuation	Insertion Loss	Input/Output Matching Impedance	Operating Temperature
			6dB	40dB				
KBF-455RL-20A	455kHz \pm 1.5kHz	2.0dB max.	\pm 10kHz min.	\pm 20kHz max.	37dB min.	4dB max.	1.5k Ω	-20°C to +80°C
KBF-455RL-15A			\pm 7.5kHz min.	\pm 15kHz max.				
KBF-455RL-12A			\pm 6.0kHz min.	\pm 12.5kHz max.				
KBF-455RL-10A			\pm 5.0kHz min.	\pm 10kHz max.				
KBF-455RL-9A			\pm 4.5kHz min.	\pm 9kHz max.				
KBF-455RL-7A	455kHz \pm 1.0kHz	2.0dB max.	\pm 3.5kHz min.	\pm 9kHz max.	55dB min.	6dB max.	2.0k Ω	-20°C to +80°C
KBF-455RL-6AS			\pm 3.0kHz min.	\pm 9kHz max.				
KBF-455RL-4AS			\pm 2.0kHz min.	\pm 7.5kHz max.				

KBF-PL Series (4 Elements)

Part Number	Center Frequency (f_0)	Ripple	Pass Band Width		Stop Band Attenuation	Insertion Loss	Input/Output Matching Impedance	Operating Temperature
			6dB	40dB				
KBF-455PL-25A	455kHz \pm 1.5kHz	2.0dB max.	\pm 12.5kHz min.	\pm 24kHz max.	27dB min.	4dB max.	1.5k Ω	-20°C to +80°C
KBF-455PL-20A			\pm 10.0kHz min.	\pm 20kHz max.				
KBF-455PL-15A			\pm 7.5kHz min.	\pm 15kHz max.				
KBF-455PL-12A			\pm 6.0kHz min.	\pm 12.5kHz max.				
KBF-455PL-10A			\pm 5.0kHz min.	\pm 12kHz max.				
KBF-455PL-7A	455kHz \pm 1.0kHz	2.0dB max.	\pm 3.5kHz min.	\pm 9kHz max.	35dB min.	6dB max.	2.0k Ω	-20°C to +80°C
KBF-455PL-6AS			\pm 3.0kHz min.	\pm 9kHz max.				
KBF-455PL-4AS			\pm 2.0kHz min.	\pm 7.5kHz max.				

Note: Center frequency is 450-460kHz available

FEATURES

- Small and high selectivity
- Low insertion loss
- Adjustment free
- Various pass band width available

APPLICATIONS

- Walkie & Talkie
- Car audio (AM radio section)
- Cordless phone
- Remote control receiver

HOW TO ORDER

KBF - 455 RL - 20 A

Selectivity

A = High selectivity
AS = Super high selectivity

Pass Band-Width (kHz) at 6dB

6 Elements = 20, 15, 10, 9, 7, 6, 4

4 Elements = 25, 20, 15, 10, 9, 7, 6, 4

Number of Element

RL = 6 Elements
PL = 4 Elements

Center Frequency

450-460kHz available

Series