

## Features

- Small and high selectivity
- Low insertion loss
- Adjustment free
- Various pass band width available

## Applications

- Walkie & Talkie
- Car audio (AM radio section)
- Cordless phone
- Remote control receiver

## How to Order

**KBF - 455 RL - 15 A**  
 ① ② ③ ④ ⑤

- ① Model(Kyocera Bulk Filter)
- ② Center Frequency[450-460kHz available]
- ③ No. of Element  
(R, RL : 6 Elements, P, PL : 4 Elements)
- ④ Pass Band-Width (kHz) at 6 dB

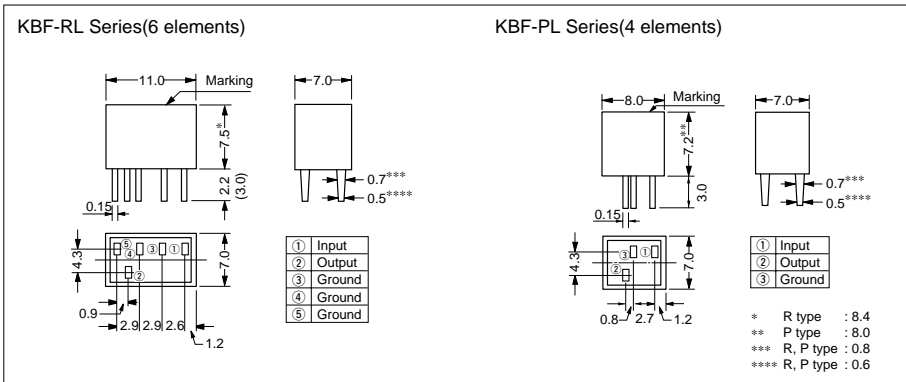
<b>6 elements</b>	15, 10, 9, 7, 6, 4
<b>4 elements</b>	15, 10, 9, 7, 6, 4

- ⑤ Selectivity

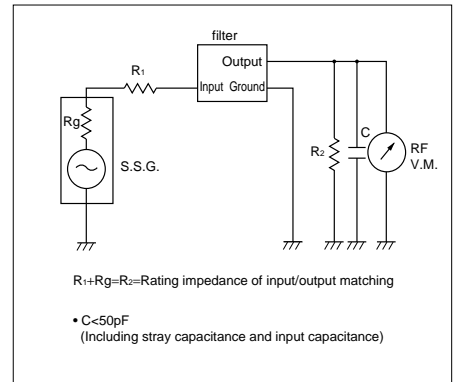
<b>A</b>	High Selectivity
<b>AS</b>	Super High Selectivity

## Dimensions

(Unit : mm)



## Test Circuit



## Specifications(455kHz)

KBF-RL series(6 elements)

Parts No.	Center Frequency( $f_0$ )	Ripple	Pass Band Width		Stop Band Attenuation	Insertion Loss	Input/Output Matching Impedance	Operating Temperature
			6dB	40dB				
KBF-455RL-15A	455kHz $\pm$ 1.5kHz	2dB max	$\pm$ 7.5kHz min	$\pm$ 15kHz max	37dB min	6dB max	1.5k $\Omega$	-20°C to +80°C
KBF-455RL-12A			$\pm$ 6.0kHz min	$\pm$ 12.5kHz max				
KBF-455RL-10A			$\pm$ 5.0kHz min	$\pm$ 12kHz max				
KBF-455RL- 9A			$\pm$ 4.5kHz min	$\pm$ 10kHz max				
KBF-455RL- 7A			$\pm$ 3.5kHz min	$\pm$ 9kHz max				
KBF-455RL- 6AS	455kHz $\pm$ 1.0kHz		$\pm$ 3.0kHz min	$\pm$ 9kHz max	55dB min			
KBF-455RL- 4AS			$\pm$ 2.0kHz min	$\pm$ 7.5kHz max				

KBF-PL series(4 elements)

Parts No.	Center Frequency( $f_0$ )	Ripple	Pass Band Width		Stop Band Attenuation	Insertion Loss	Input/Output Matching Impedance	Operating Temperature
			6dB	40dB				
KBF-455PL-15A	455kHz $\pm$ 1.5kHz	2dB max	$\pm$ 7.5kHz min	$\pm$ 15kHz max	27dB min	6dB max	2.0k $\Omega$	-20°C to +80°C
KBF-455PL-12A			$\pm$ 6.0kHz min	$\pm$ 12.5kHz max				
KBF-455PL-10A			$\pm$ 5.0kHz min	$\pm$ 12.0kHz max				
KBF-455PL- 7A	455kHz $\pm$ 1.0kHz		$\pm$ 3.5kHz min	$\pm$ 9kHz max	35dB min			
KBF-455PL- 6AS			$\pm$ 3.0kHz min	$\pm$ 9kHz max				
KBF-455PL- 4AS			$\pm$ 2.0kHz min	$\pm$ 7.5kHz max				

Remarks) Center Frequency is 450/455kHz available